

## CO2 Series

200 A 120/240 V; Combination with or without Breaker

### Product Specifications

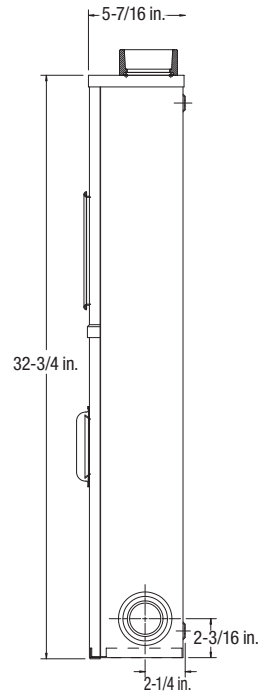
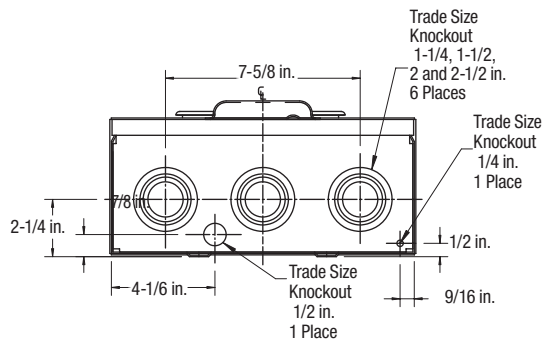
- Conductor range (Line and Load): 1 AWG-250 kcmil
- Aluminum tunnel type connectors for both load and line sides
- For overhead and underground services
- With factory-installed neutral conductor
- Suitable for 120/240 V single phase service entrance for mobile homes, trailers, temporary services, recreational parks and other commercial and residential locations
- Factory installed 2 pole circuit breaker, 10,000 A rms interrupting capacity
- With adjustable bracket for field installation to accept Cutler Hammer (ED, EDH) breakers
- “QJ” Type Siemens breaker
- Supplied with screw type rings
- Weatherproof Type 3R enclosure
- **Primarily used in: All provinces**  
**Quebec only: As per Hydro-Québec spec**  
**(supplied with 22 kA Siemens breaker)**



(CO2-200)



CAT. NO.: C03417M-1-FG



Approved for copper or aluminum

Cat. No.	Type	Description	Dimensions (in.)			Weight Each	
			H	W	D	lb.	kg
<b>4 JAW</b>							
<b>CO2</b>	Overhead	Provision for Siemens (QJ), 200 A 2 pole 10 kA rated circuit breaker	32-3/4	11-13/16	5-7/16	28	12.7
<b>CO2-125</b>	Overhead	c/w Siemens QJ 125 A 2 pole 10 kA rated circuit breaker					
<b>CO2-125-5V</b>	Overhead	c/w Siemens QJ 125 A 2 pole 10 kA rated circuit breaker, c/w 5 <sup>th</sup> jaw					
<b>CO2-125HI</b>	Overhead	c/w Siemens QJH 125 A 2 pole 22 kA rated circuit breaker					
<b>CO2-150</b>	Overhead	c/w Siemens QJ 150 A 2 pole 10 kA rated circuit breaker					
<b>CO2-150-5V</b>	Overhead	c/w Siemens QJ 150 A 2 pole 10 kA rated circuit breaker, c/w 5 <sup>th</sup> jaw					
<b>CO2-150HI</b>	Overhead	c/w Siemens QJH 150 A 2 pole 22 kA rated circuit breaker					
<b>CO2-200</b>	Overhead	c/w Siemens QJ 200 A 2 pole 10 kA rated circuit breaker					
<b>CO2-200-5V</b>	Overhead	c/w Siemens QJ 200 A 2 pole 10 kA rated circuit breaker, c/w 5 <sup>th</sup> jaw					
<b>CO2-200HI</b>	Overhead	c/w Siemens QJH 200 A 2 pole 22 kA rated circuit breaker					
<b>CO2-200G</b>	Underground	c/w Siemens QJ 200 A 2 pole 10 kA rated circuit breaker, c/w gutter				32.6	14.6
<b>CO2-200GM</b>	Underground	c/w Siemens QJ 200 A 2 pole 10 kA rated circuit breaker and adjustable bracket, c/w gutter				30	13.6
<b>CO2-G</b>	Underground	Provision for Siemens (QJ), 200 A 2 pole 10 kA rated circuit breaker, c/w gutter					
<b>CO2-200GBC</b>	Underground	Provision for Siemens (QJ), 200 A 2 pole 10 kA rated circuit breaker, c/w gutter and 3 in. bottom KO				28	12.7
<b>CO2-GMB</b>	Underground	Atco, Alberta; provision for Siemens (QJ), Cutler Hammer (ED, EDH), 200 A 2 pole 10 kA rated circuit breaker, c/w pole mount kit, 2 x 3306 connectors, c/w gutter					

Note: Some local utilities require a gutter option for underground services. Order with suffix -G. Please check with local supply authority if mechanical connectors are accepted for underground services.