

## In This Section...

### Carlon®

#### *Carlon® Carflex® Liquidtight Flexible Tubing*

Carflex® .....	P-2
Carflex® X-Flex™ .....	P-3
Fittings .....	P-4-P-8
Technical Data .....	P-8
Pre-Wired Whips .....	P-9
Cord Grips.....	P-10

**Carlon® Carflex® Liquidtight Flexible Tubing**

# Thomas & Betts

**Corporate Office**  
 Tel: 901.252.8000  
 800.816.7809  
 Fax: 901.252.1354

**Customer Service**  
 Tel: 800.816.7809  
 Fax: 800.816.7810

**Technical Services**  
 Tel: 888.862.3289  
 Fax: 901.252.1321

**Tool Services**  
 Tel: 800.284.8665

## Thomas & Betts

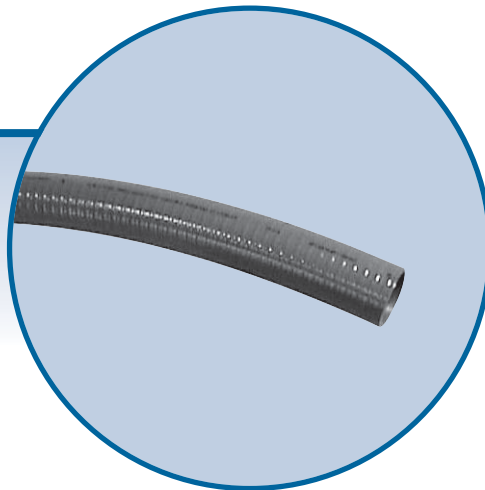
[www.tnb.com](http://www.tnb.com)

# Carlon®

## Carflex®

### Carflex® Liquidtight Flexible Non-Metallic Conduit

Liquidtight Flexible Non-Metallic Conduit provides superior wire protection in harsh, damp environments. Carflex® Conduit is non-conductive, non-corrosive and resistant to oil, acid, ozone and alkaline. Carflex® Conduit is strong and lightweight and, because it weighs 50% less than metallic systems, it's easy to handle, transport and install. Carflex® is ideal for industrial, air conditioning, heating and outdoor lighting applications.



#### Features:

- Non-conductive and non-corrosive
- Lightweight for easy handling, transportation and installation
- Crush, abrasion and strain resistant
- Provides superior wire protection
- Smooth interior ideal for pulling cable
- No jagged edges
- Maintains internal I.D., even in tight-radius bends
- Type LFNC-B
- Resistant to oil, acid, ozone and alkaline
- UL Listed for use as indicated in Article 356.2 of the NEC®, and Section 12-1300 of the Canadian Electrical Code, Part 1
- UL Listed for outdoor use
- UL Listed for sunlight resistant
- Trade sizes ½", ¾" and 1" are UL Listed for direct burial and concrete encasement
- Sequentially marked footage
- Suitable for use at conduit temperatures of 80°C dry, 60°C wet and 60°C oil resistant as required by section 15-6 of ANSI/NFPA 79 and UL 1660

*NOTE: Liquidtight flexible conduits, metallic and non-metallic, in contrast to rigid PVC conduit and electrical non-metallic tubing, does not have wire temperature limitations. Any temperature-rated wire (for example, 90° wire) can be used as long as the temperature conditions marked on the conduit are not exceeded. UL Listed conduits that are not marked are limited to a maximum temperature of 60°C wet or dry.*

#### Applications:

- Control and motor
- Air conditioning and heating
- Computer power distribution
- Machine tools
- Console wiring
- Transformer connections
- Outdoor lighting

#### Custom Orders:

- Available in black and gray; consult your Thomas & Betts Sales Team for custom colors
- Custom-cut lengths available; consult your Thomas & Betts Sales Team for details



#### Coils

CAT NO.	NOM. SIZE (IN.)	AVG. O.D. (IN.)	AVG. I.D. (IN.)	STD. CTN. (FT.)	STD. WT. (LBS.)
15004-100	¾	0.700	.489	100	11.70
15005-50	½	0.830	.627	50	6.50
15005-100*	½	0.830	.627	100	13.00
15005BK-100*	½	0.830	.627	100	13.00
15007-100*	¾	1.040	.825	100	18.00
15008-100*	1	1.302	1.046	100	28.00
15009-100	1¼	1.645	1.385	100	37.60
15010-50	1½	1.882	1.580	50	22.55
15010-100	1½	1.882	1.580	100	47.80
15011-050	2	2.357	2.025	50	34.10

Standard color is gray.

\*Joint listed UL/CSA Approved product available

#### Reels

CAT NO.	NOM. SIZE (IN.)	AVG. O.D. (IN.)	AVG. I.D. (IN.)	STD. CTN. (FT.)	STD. WT. (LBS.)
15004-001	¾	0.700	.489	1000	145.0
15005-001	½	0.830	.627	1000	157.0
15005BK-001	½	0.830	.627	1000	157.0
15007-001	¾	1.040	.825	1000	212.0
15008-500	1	1.302	1.046	500	155.0
15009-200	1¼	1.645	1.385	200	100.0
15010-150	1½	1.882	1.580	150	95.7
15011-100	2	2.357	2.025	100	94.6

Standard color is gray.

Carlon® Carflex® Liquidtight Flexible Tubing

Thomas & Betts

www.tnb.com

Corporate Office  
Tel: 901.252.8000  
800.816.7809  
Fax: 901.252.1354

Customer Service  
Tel: 800.816.7809  
Fax: 800.816.7810

Technical Services  
Tel: 888.862.3289  
Fax: 901.252.1321

Tool Services  
Tel: 800.284.8665



### Carflex® X-Flex™ Non-Metallic Mechanical Protection Tubing

Extra-Flexible Non-Metallic Mechanical Protection Tubing is ideal for applications requiring extra strength and flexibility, such as robotics and repetitive-flexing arms. Carflex® X-Flex™ is non-conductive, non-corrosive and resistant to oil, acid, ozone and alkaline. It's designed for use with standard Carflex® fittings, providing a complete non-metallic system. Carflex® X-Flex™ is lightweight for easier handling, transportation and installation.



#### Features:

- Extra strong and flexible to withstand repetitive motions
- Non-conductive and non-corrosive
- Resistant to oil, acid, ozone and alkaline
- Lightweight for easy handling, transportation and installation
- Crush, abrasion and strain resistant
- Provides superior wire protection
- Smooth interior ideal for pulling cable
- No jagged edges
- Rated for continuous use at 60°C (140°F) ambient
- Type NMPT-B
- UL Recognized to UL Standard 1696

#### Applications:

- Repetitive flexing arms
- Robotics
- Machine tools
- Automatic/moving machinery
- Control and motor



E80040



LR88170

Where noted by ♦

#### Coils

CAT NO.	NOM. SIZE (IN.)	AVG. O.D. (IN.)	AVG. I.D. (IN.)	STD. CTN. (FT.)	STD. WT. (LBS.)
15104-100	3/8	0.700	0.489	100	9.09
15105-100	1/2	0.830	0.627	100	10.01
♦ 15107-100	3/4	1.040	0.825	100	13.91
♦ 15108-100	1	1.302	1.046	100	18.25
♦ 15109-100	1 1/4	1.645	1.385	100	27.65
15110-100	1 1/2	1.882	1.580	100	38.00
15111-050	2	2.357	2.025	50	24.22

Available in black only.

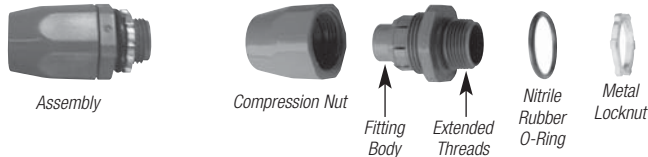
Carlton® Carflex® Liquidtight Flexible Tubing

# Carlton®

## Carflex® Fittings

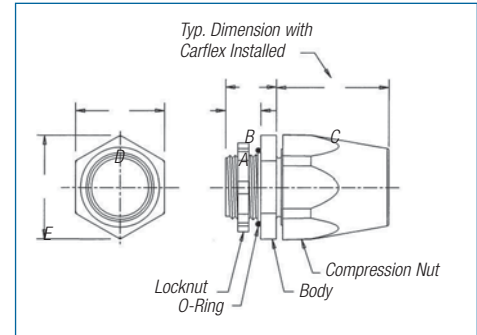
For use with Carflex® conduit and Carflex® X-Flex™ conduit.

### Carflex® Liquidtight Straight Fittings

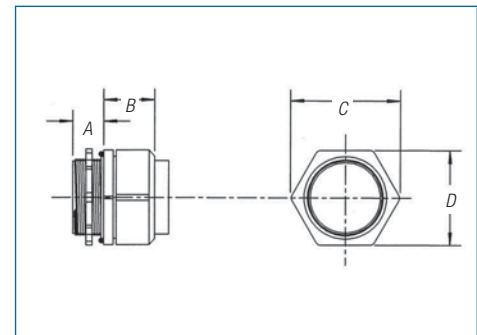


#### Features:

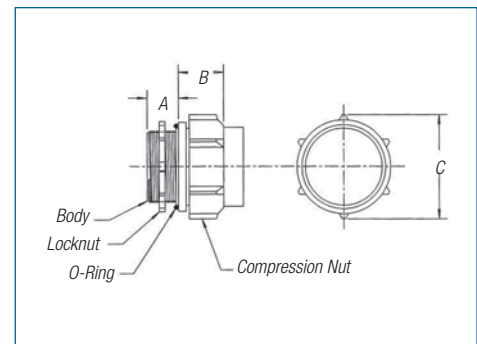
- Non-conductive and non-corrosive
- Resistant to oil, acid, ozone and alkaline
- Easy to install
- Approved for indoor and outdoor locations
- UL Listed for wet locations
- Nitrile rubber O-ring for a liquidtight termination
- Temperatures up to 225°F (107°C)
- Meets UL Standard 514B



LT43C-CAR, LT43D-NEW, LT43E-NEW, LT43F



LT43G, LT43H



LT43J



CAT. NO.	SIZE (IN.)	STD. CTN.	STD. WT. (LBS.)	A (IN.)	B (IN.)	C (IN.)	D (IN.)	E (IN.)
LT43C	3/8	50	3.6	.55	.75	1.60	1.30	1.40
LT43C-CAR	3/8	15	1.4	.55	.75	1.60	1.30	1.40
LT43D-NEW	1/2	50	4.2	.56	.91	1.62	1.30	1.40
LT43E-NEW	3/4	50	6.6	.56	.91	1.88	1.61	1.71
LT43F	1	25	5.5	.70	1.00	2.20	1.90	2.04
LT43G	1 1/4	5	1.5	.71	1.16	2.50	2.17	
LT43H	1 1/2	5	2.0	.75	1.36	2.78	2.43	
LT43J	2	5	2.5	1.00	1.45	3.33		

Carlton® Carflex® Liquidtight Flexible Tubing

**Thomas & Betts**

www.tnb.com

Corporate Office  
Tel: 901.252.8000  
800.816.7809  
Fax: 901.252.1354

Customer Service  
Tel: 800.816.7809  
Fax: 800.816.7810

Technical Services  
Tel: 888.862.3289  
Fax: 901.252.1321

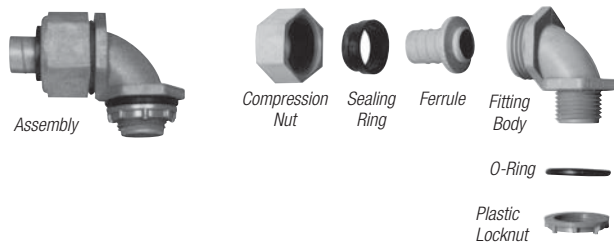
Tool Services  
Tel: 800.284.8665





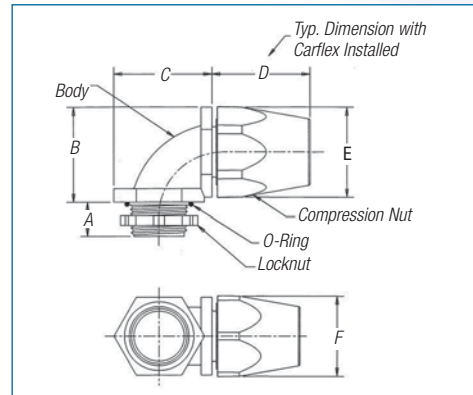
For use with Carflex® conduit and Carflex® X-Flex™ conduit.

### Carflex® Liquidtight 90° Fittings

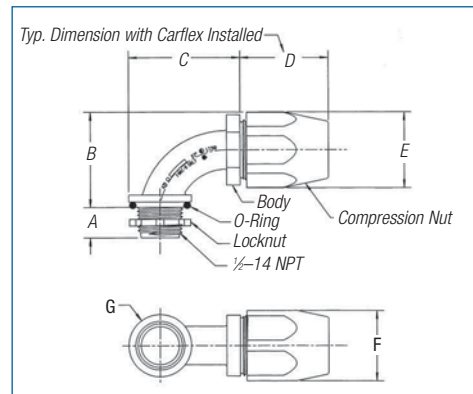


#### Features:

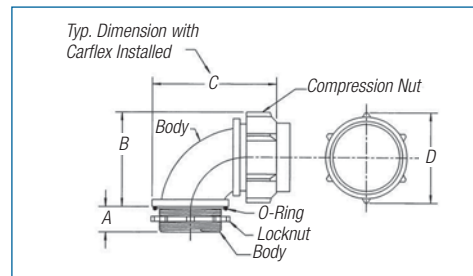
- Non-conductive and non-corrosive
- Resistant to oil, acid, ozone and alkaline
- Easy to install
- Approved for indoor and outdoor locations
- UL Listed for wet locations
- Nitrile rubber O-ring for a liquidtight termination
- Temperatures up to 225°F (107°C)
- Meets UL Standard 514B



LT20C-CAR, LT20F-NEW



LT20D-NEW, LT20E-NEW



LT20G, LT20H, LT20J



CAT. NO.	SIZE (IN.)	STD. CTN.	STD. WT. (LBS.)	A (IN.)	B (IN.)	C (IN.)	D (IN.)	E (IN.)	F (IN.)	G (IN.)
LT20C	¾	50	4.9	.56	1.44	1.44	1.56	1.39	1.26	
LT20C-CAR	¾	15	1.8	.56	1.44	1.44	1.56	1.39	1.26	
LT20D-NEW	½	50	4.9	.56	1.76	2.05	1.62	1.40	1.30	1.15
LT20E-NEW	¾	50	8.0	.56	2.04	2.35	1.88	1.71	1.61	1.50
LT20F	1	25	6.9	.70	2.01	2.01	2.26	2.04	1.90	
LT20G	1¼	5	1.9	.75	2.50	3.55	2.48			
LT20H	1½	5	2.2	.75	2.80	3.98	2.77			
LT20J	2	5	3.4	.94	3.48	4.56	3.33			

### Carflex® One-Piece Liquidtight Fittings

#### Unique Design

The simple, one-piece body design of the Carflex® One-Piece Liquidtight Non-Metallic Fitting requires no disassembly of components for installation. The system is so strong that there is no need for a compression nut.

#### PVC Construction

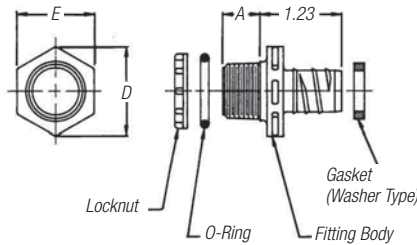
PVC construction of the fitting and locknut provides unparalleled protection from water, oil and dust. Totally non-metallic, the system is non-conductive and will not corrode or rust. Temperatures up to 140°F (60°C).

#### Features:

- Approved for indoor and outdoor locations
- UL Listed for wet locations

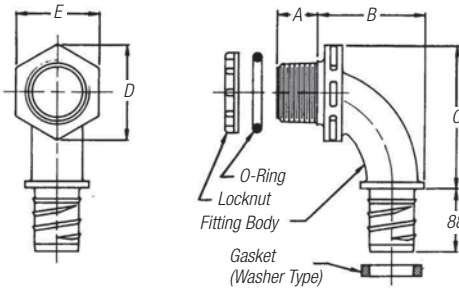


#### Straight Fittings



CAT. NO.	TRADE SIZE (IN.)	THREAD SIZE	STD. CTN.	STD. WT. (LBS.)	A (IN.)	D (IN.)	E (IN.)
LN43DA	½	½-14 NPT	100	2.8	0.56	1.34	1.19
LN43EA	¾	¾-14 NPT	50	2.2	0.56	1.63	1.44
LN43FA	1	1-11½ NPT	25	3	0.69	1.99	1.75
LN43FA-CAR	1	1-11½ NPT	15	1	0.69	1.99	1.75

#### 90° Fittings



CAT. NO.	TRADE SIZE (IN.)	THREAD SIZE	STD. CTN.	STD. WT. (LBS.)	A (IN.)	B (IN.)	C (IN.)	D (IN.)	E (IN.)
LN20DA	½	½-14 NPT	100	4.3	0.56	1.50	1.99	1.34	1.19
LN20EA	¾	¾-14 NPT	50	3.1	0.56	1.73	2.25	1.63	1.44
LN20FA	1	1-11½ NPT	25	3.2	0.69	1.86	2.58	1.99	1.75
LN20FA-CAR	1	1-11½ NPT	10	1	0.69	1.86	2.58	1.99	1.75



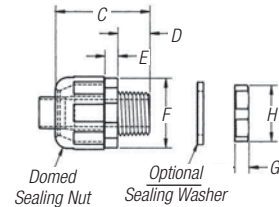
### Carflex® Omni Connectors Straight Fittings



#### Features:

- Available in sizes 3/8" through 1" conduit and tubing
- All-nylon construction resists saltwater, weak acids, gasoline, alcohol, oil, grease and common solvents

- No disassembly required
- No threading of the conduit or tubing required to install
- Complete conduit/connector system is reusable
- Suitable for indoor/outdoor use
- Lower installed cost
- Black connectors provided with nylon locknut
- Gray connectors provided with assembled O-ring and metal locknuts
- Protection class IP 68 per DIN 40050 up to 70 psi (5 bar) water pressure
- Molded of type 6/6 nylon. ASTM D-4066-PA 111; flammability classification 94V-2



CAT. NO. BLACK	CAT. NO. GRAY*	SIZE (IN.)	DESCRIPTION	BODY & SEALING UNIT					LOCKING NUT		STD. CTN.
				CLEARANCE HOLE IN. (MM)	MAX O.A. LENGTH IN. (MM)	THREAD LENGTH IN. (MM)	WRENCHING NUT THICKNESS IN. (MM)	WRENCHING FLATS IN. (MM)	THICKNESS IN. (MM)	WRENCHING FLATS IN. (MM)	
LT38	LT38G	3/8	Straight L/T Fitting	.875 (22.2)	2.000 (50.8)	.625 (15.9)	.250 (6.3)	1.328 (33.7)	.266 (6.7)	1.062 (26.9)	50
LT50	LT50G	1/2	Straight L/T Fitting	.875 (22.2)	2.000 (50.8)	.625 (15.9)	.250 (6.3)	1.328 (33.7)	.266 (6.7)	1.062 (26.9)	50
LT75	LT75G	3/4	Straight L/T Fitting	1.109 (28.2)	2.031 (51.6)	.625 (15.9)	.250 (6.3)	1.562 (39.7)	.266 (6.7)	1.312 (33.3)	25
LT100	LT100G	1	Straight L/T Fitting	1.375 (34.9)	2.250 (57.1)	.781 (19.8)	.250 (6.3)	1.875 (47.6)	.266 (6.7)	1.625 (41.3)	20

\*Gray connectors provided with assembled O-ring and metal locknuts. Black connectors provided with nylon locknuts only.

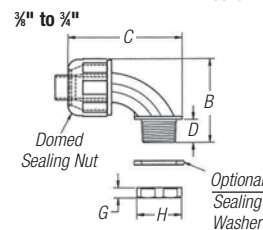
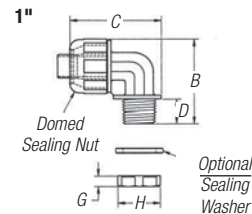
### 90° Fittings



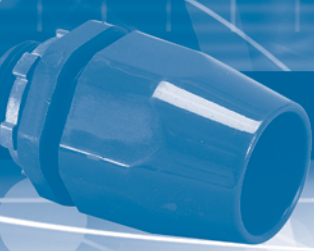
#### Features:

- Available in sizes 3/8" through 1" conduit and tubing
- Smooth internal surfaces for easier wire installation around corner angles
- All-nylon construction resists saltwater, weak acids, gasoline, alcohol, oil, grease and common solvents
- No disassembly required

- No threading of the conduit or tubing required to install
- Complete conduit/connector system is reusable
- Use of a sealing washer may be required for wet locations
- Suitable for indoor/outdoor use
- Lower installed cost
- Black connectors provided with nylon locknut, packed separately
- Gray connectors provided with assembled O-ring and metal locknuts.
- Protection class IP 68 per DIN 40050 up to 70 psi (5 bar) water pressure
- Molded of type 6/6 nylon. ASTM D-4066-PA 111; flammability classification 94V-2



CAT. NO. BLACK	CAT. NO. GRAY	SIZE (IN.)	DESCRIPTION	BODY & SEALING UNIT				LOCKING NUT		STD. CTN.
				CLEARANCE HOLE IN. (MM)	MAX O.A. HEIGHT IN. (MM)	MAX O.A. LENGTH IN. (MM)	THREAD LENGTH IN. (MM)	THICKNESS IN. (MM)	WRENCHING FLATS IN. (MM)	
LT938	LT938G	3/8	90 Degree L/T Fitting	.875 (22.2)	1.98 (50.3)	2.91 (73.9)	.52 (13.2)	.27 (6.8)	1.06 (26.9)	25
LT950	LT950G	1/2	90 Degree L/T Fitting	.875 (22.2)	1.98 (50.3)	2.91 (73.9)	.52 (13.2)	.27 (6.8)	1.06 (26.9)	25
LT975	LT975G	3/4	90 Degree L/T Fitting	1.109 (28.2)	2.29 (58.2)	3.17 (80.5)	.52 (13.2)	.27 (6.8)	1.31 (33.3)	20
LT9100	LT9100G	1	90 Degree L/T Fitting	1.375 (34.9)	2.84 (72.1)	3.18 (80.8)	.78 (19.8)	.27 (6.8)	1.61 (40.9)	10



### Carflex® Fittings Installation Instructions .....

#### LT43C-CAR, LT43F thru J, LT20C-CAR, LT20F thru J.

1. Cut the end of the Carflex® conduit or Carflex® X-Flex™ tubing square.
2. Install compression nut and sealing gland ring over the end of the conduit or tubing.
3. Insert the ferrule end of the fitting into the conduit using a clockwise twisting action.
4. Screw fitting body into compression nut.
5. When installation is completed, use a wrench to tighten compression nut one-quarter (1/4) turn past hand-tight. Do not overtighten fitting.

#### LT43D-New, LT43E-New, LT20D-New, LT20E-New.

1. Cut the end of the Carflex® conduit or Carflex® X-Flex™ tubing square.
2. Install compression nut over the end of the conduit or tubing.
3. Insert the ferrule end of the fitting into the conduit using a clockwise twisting action. (Be sure conduit is fully inserted to the bottom of the fitting shoulder).
4. Screw compression nut onto fitting body.
5. Use a wrench to tighten compression nut one (1) full turn past hand-tight. Do not overtighten fitting.

*\*To prevent damage to conductors, conduit and fittings, do not twist Carflex during installation.*

### Carflex® Liquidtight Conduit Technical Information .....

1. There shall be no more than the equivalent of four (4) quarter (90°) bends (360° total) between pull points, conduit bodies and boxes.
2. The radius of the curve of the center of the conduit or tubing shall not be less than that shown in the table (right):

SIZE OF CONDUIT OR TUBING		RADIUS TO CENTER OF CONDUIT OR TUBING	
INCHES	(METRIC DESGR.)	INCHES	(MM)
3/8	(14)	4	(101.6)
1/2	(16)	4	(101.6)
3/4	(21)	4 1/2	(114.3)
1	(27)	5 1/2	(146.0)
1 1/4	(35)	7 1/4	(184.1)
1 1/2	(41)	8 1/4	(209.5)
2	(53)	9 1/2	(241.3)

### UL Listed for Use as Indicated in Article 356 of the National Electrical Code® .....

- Cellular Metal Floor Raceways, Connections to Cabinets & Wall Outlets
- Class I, Div. 2, Hazardous Location
- Class II, Div. 1, Hazardous Location
- Class III, Div. 1, Hazardous Location
- Computer Room Raised Floor
- Concealed Locations
- Intrinsically Safe Systems
- Lighting Fixtures, Connection to Electric Discharge Fixture
- Non-Metallic Boxes
- RV Engine Generator
- Swimming Pool Pump Motors
- Tap Conductors (Fixture Whips)
- Underfloor Raceway, Connection to Cabinets and Wall Outlets
- Wireway, Extensions from Wireways, Wiring Methods
  - Agricultural Buildings, Flexible Connections
  - Electric Signs, 1000 Volts, Nominal, or Less
  - Electric Signs, Over 1000 Volts (per Section 600.32(A)(1))
  - Floating Buildings
  - Marinas and Boatyards
  - Service Entrance Conductors
- Wiring on Buildings, Outside Branch Circuits and Feeders
- Direct Burial Applications





### Carflex® Liquidtight Whip

Carflex® Liquidtight Whip assemblies save the customer time and hassle of having to hunt for the needed components. Our moisture-tight non-metallic flexible conduit system is ideal for installing swimming pool motors, hot tubs, spas, air conditioners, pumps, outdoor lighting and more.

Unlike plastic-coated metal conduit, the Carlton® Carflex® system has no metal core to fatigue, rust or corrode. The Carflex® system has no sharp edges or burrs to cut into the wire insulation. Metal conduit is subject to fatigue and penetration of moisture.

The Carflex® Liquidtight Whip assembly is complete with Carflex® moisture-tight conduit, wire, one straight fitting and one 90° fitting.

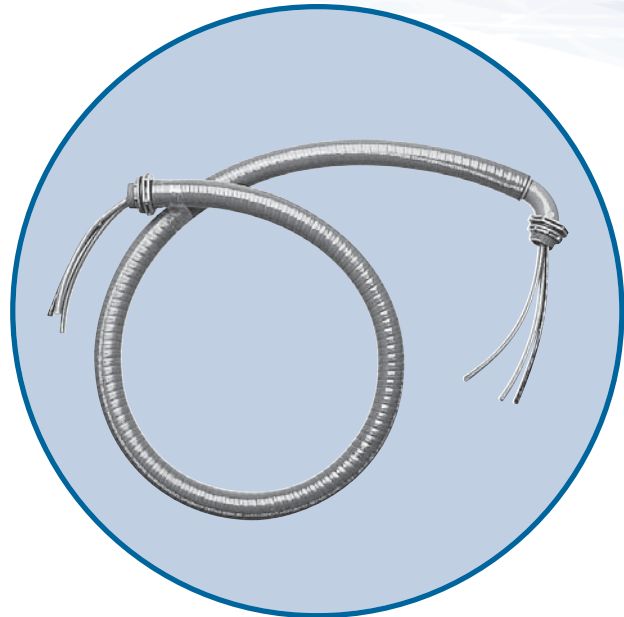
All this enables quick and trouble-free installation.

#### Features:

- Designed for easy installation
- Will not rust or corrode
- Can be used for many commercial and residential applications
- Many applications such as swimming pool filters, hot tub spas, air conditioners, pumps, etc.
- Available in ½" and ¾" diameters
- Available in 4' and 6' lengths
- Each kit contains (1) straight and (1) 90° fitting
- Complete with (3) 8-, 10- or 12-gauge wires

#### Custom Orders:

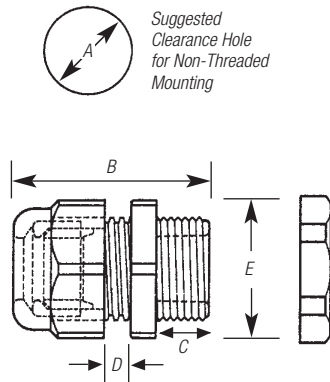
Also available in special configurations including different fitting combinations, wire types and sizes and metal-fitting variations. Consult your Thomas & Betts Sales Team for details.



CAT. NO.	DESCRIPTION	WIRE SIZE (GAUGE)	STD. CTN.	STD. WT. (LBS.)
WCD4	½"	Carflex Whip — 4 foot 10	6 (poly bag)	10.6
WCD6	½"	Carflex Whip — 6 foot 10	6 (poly bag)	15.8
WCE4	¾"	Carflex Whip — 4 foot 8	6 (poly bag)	12.4
WCE6	¾"	Carflex Whip — 6 foot 8	6 (poly bag)	15.8
WCD3124	½"	Carflex Whip — 4 foot 12	20 (bulk pack)	32.4
WCD3126	½"	Carflex Whip — 6 foot 12	20 (bulk pack)	47.9
WCD3104	½"	Carflex Whip — 4 foot 10	20 (bulk pack)	35.2
WCD3106	½"	Carflex Whip — 6 foot 10	20 (bulk pack)	52.8
WCE3084	¾"	Carflex Whip — 4 foot 8	15 (bulk pack)	30.9
WCE3086	¾"	Carflex Whip — 6 foot 8	15 (bulk pack)	39.6

Carlton® Carflex® Liquidtight Flexible Tubing

### Straight PG Hubs



#### Features:

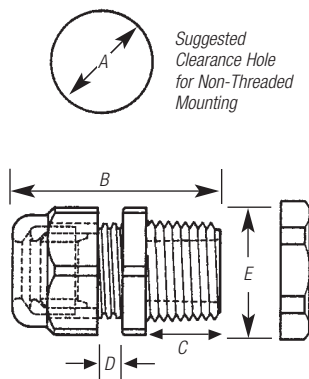
- New threads on body prevent skipping, speed installation
- PG hub threads are steel conduit per DIN 40430
- Six sizes for cable, tubing, etc.: PG07, PG09, PG11, PG13.5, PG16 and PG21
- All-nylon construction with TPE gland resists saltwater, weak acids, gasoline, alcohol, oil, grease and common solvents
- Suitable for NEMA Type 4 and 6 enclosures
- Locknuts are included
- Working temperatures: -22°F (-30°C) to 212°F (100°C). For short periods to 302°F (150°C)
- Protection Class IP68 per DIN 40050 up to 70 psi (5 bar) water pressure



STRAIGHT CAT. NO. BLACK	SIZE (PG)	STD. CTN.	STD. WT. (LBS.)	DIAMETER OF CABLE OR WIRE ACCOMMODATED IN. (MM)	A CLEARANCE HOLE IN. (MM)	B MAX O.A. LENGTH IN. (MM)	C THREAD LENGTH IN. (MM)	D WRENCHING NUT THICKNESS IN. (MM)	E WRENCHING FLATS IN. (MM)
LH07	PG07	100	1.3	.114-.250 (2.9-6.4)	.492 (12.5)	1.17 (29.7)	.33 (8.4)	.22 (5.6)	.59 (15.0)
LH09	PG09	100	2.0	.181-.312 (4.6-7.9)	.599 (15.2)	1.30 (33.0)	.34 (8.6)	.20 (5.1)	.75 (19.1)
LH11	PG11	100	2.6	.230-.395 (5.8-10.0)	.733 (18.6)	1.46 (37.1)	.39 (9.9)	.20 (5.1)	.86 (21.8)
LH13	PG13.5	100	3.1	.170-.470 (4.3-11.9)	.804 (20.4)	1.53 (38.9)	.41 (10.4)	.20 (5.1)	.95 (24.1)
LH16	PG16	50	2.1	.230-.546 (5.8-13.9)	.886 (22.5)	1.66 (42.2)	.45 (11.4)	.23 (5.8)	1.05 (26.7)
LH21	PG21	50	3.2	.450-.709 (11.4-18.0)	1.115 (28.3)	1.87 (47.5)	.52 (13.2)	.23 (5.8)	1.30 (33.0)

Carlton® recommends using the smallest maximum diameter fitting that will suit your application.

### Straight NPT Hubs



#### Features:

- New threads on body prevent skipping, speed installation
- Four sizes for cable, tubing, etc. with diameters of 3/8", 1/2", 3/4" and 1"
- All-nylon construction with TPE gland resists saltwater, weak acids, gasoline, alcohol, oil, grease and common solvents
- Suitable for NEMA Type 4 and 6 enclosures
- Locknuts are included
- Working temperatures: -22°F (-30°C) to 212°F (100°C). For short periods to 302°F (150°C)
- Protection Class IP68 per DIN 40050 up to 70 psi (5 bar) water pressure



STRAIGHT CAT. NO. BLACK	STRAIGHT CAT. NO. GRAY	SIZE (IN.) (NPT)	STD. CTN.	STD. WT. (LBS.)	DIAMETER OF CABLE OR WIRE ACCOMMODATED IN. (MM)	A CLEARANCE HOLE IN. (MM)	B MAX O.A. LENGTH IN. (MM)	C THREAD LENGTH IN. (MM)	D WRENCHING NUT THICKNESS IN. (MM)	E WRENCHING FLATS IN. (MM)
LH38	LH38G	3/8	100	1.9	.181-.312 (4.6-7.9)	.670 (17.0)	1.49 (37.8)	.53 (13.5)	.20 (5.1)	.75 (19.1)
LH50	LH50G	1/2	100	2.9	.170-.470 (4.3-11.9)	.875 (22.2)	1.72 (43.7)	.62 (15.7)	.20 (5.1)	.95 (24.1)
LH75	LH75G	3/4	50	2.7	.450-.709 (11.4-18.0)	1.068 (27.1)	1.97 (50.0)	.63 (16.0)	.23 (5.8)	1.30 (33.0)
LH100	LH100G	1	25	2.6	.590-1.000 (15.0-25.4)	1.375 (35.0)	2.42 (61.5)	.78 (19.8)	.28 (7.1)	1.66 (42.2)

Carlton® recommends using the smallest maximum diameter fitting that will suit your application.