



## Ring Terminal T&B Catalog Number:

TV10-10R-XV

**UPC Number:**

72849414413

**Status:**

Active

**Description:**

Insulated Vinyl Ring Terminal for Wire Range 12-10 Stud Size #10, Yellow, Canister

### Features

Molded Funnel Entry Insulator. Brazed Seam. Internal Barrel Serrations.

### General

Insulation Type	Insulated Vinyl
Material	Copper
Finish	Electro -Tin Plated
Color	Yellow
Wire Range	12-10
Stud Size	#10

### Dimension Information

d1 (inches)	.134
D (inches)	.252
E (inches)	.512
F (inches)	.358
L (inches)	1.047
T (inches)	.039
W (inches)	.374

### Specifications

Temperature Rating	75°C
Voltage Rating	600V
Flammability Rating	UL 94 V-0

### Tooling

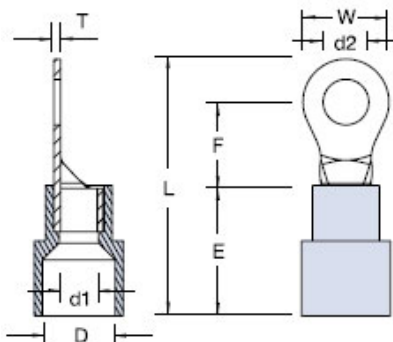
Application Tools	WT112M, CM2000A
-------------------	-----------------

### Packaging

T&B Order Multiple	75
T&B Inner Pack	75
Package in Units	900
Package Type	Canister
T&B Sold in UOM	Each
T&B Weight Per UOM	7.5 lbs. per 1000
Alternate Package Qty	TV1010RL

### Certifications

RoHS Compliance	Yes
-----------------	-----



For further technical assistance, please contact us...

Thomas & Betts - USA  
8155 T&B Blvd.  
Memphis, TN 38125  
www.tnb.com

T&B Technical Support  
MS 3B-50  
8155 T&B Blvd.  
Memphis, TN 38125

Hours: 7AM - 6PM CDT  
Monday-Friday  
Phone: (888) 862-3289  
Fax: (901) 252-1321  
Email:techsupport@tnb.com