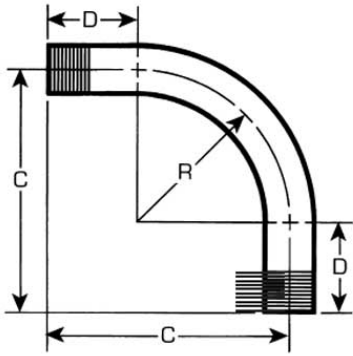


# Ocal®



**T&B Catalog Number:** ELL1/2-G  
**UPC Number:** 70450836980  
**Description:** 1/2" x 90&deg; Dark Gray 40 mil PVC Coated Hot-Dip Galvanized Rigid Steel Elbow.  
**Status:** Active

### WEB\_USE

-T&B Product Line 087

### Features

- A minimum .040" (40 mil) PVC coating on the exterior.
- A nominal .002" (2 mil) blue urethane on the interior.
- Ocal-Blue standard radius elbows are factory bent to reduce the ti
- Special radiuses and degrees are available upon request.
- Color coded thread protectors on each end.
- Standard radiuses in 30&#176;, 45&#176;, 60&#176; and 90&#176;

### General

-Custom\_Finish sre\_1290  
 -Material Steel  
 -Finish Hot Dip Galvanized  
 -Color Dark Gray  
 -Thread Protector Color Black

### Dimension Information

-Pipe Size (inches) 1/2  
 -Pipe Size (Metric Size Designator\*) 16  
 -Degree of Bend 90  
 -Radius-R (inches) 4.00  
 -Radius-R (mm) 101.6  
 -Offset-C (inches) 6.50  
 -Offset-C (mm) 165.1  
 -Straight End-D (inches) 2.12  
 -Straight End-D (mm) 53.848  
 -Unbent Length (inches) 11.25  
 -Unbent Length (mm) 285.75

### Technical Information

-Chemical Resistance Chart Available on Website

### Specifications

-Ocal Specification Guide-1995 Master Form Available on Website  
 -Ocal Specification Guide-1995 Master Form Available on Website  
 -Ocal Specification Guide-2004 Master Form Available on Website  
 -Ocal Specification Guide-2004 Master Form Available on Website

### Packaging

-T&B Inner Pack 1  
 -Package in Units 30  
 -T&B Sold in UOM Each  
 -T&B Weight Per UOM 0.85 lbs. Each

### Application Support

-T&B Sales Drawings wsd-000551  
 -Recommended Installation Procedures Available on Website  
 -NEMA Standards-RN 1 Available on Website

-NEC 310-16 - Conductors for General Wiring Available on Website

-NEC Table 8 Available on Website

### Notes

-\*Note Metric size designator (ANSI C80. 1-1994)

-\*\*Note Dimensional values are of un-coated elbows.

-\*\*\*Note Standard color is dark gray. Also available in white and light blue.

### Certifications

-RoHS Compliance No

### Certifications



File Nbr:

E 46453

**For further technical assistance, please contact us...**

Thomas & Betts - USA  
8155 T&B Blvd.  
Memphis, TN 38125  
www.tnb.com

T&B Technical Support  
MS 3B-50  
8155 T&B Blvd.  
Memphis, TN 38125

Hours: 7AM - 6PM CDT  
Monday-Friday  
Phone: (888) 862-3289  
Fax: (901) 252-1321  
Email:techsupport@tnb.com