



Split-Bolt
T&B Catalog Number:

APS21
 78378620144
 Active

UPC Number:
Status:
Description:

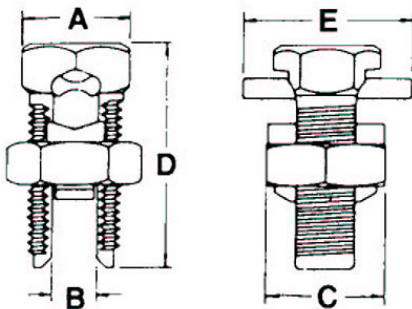
Type APS Tin-Plated Aluminum Dual-Rated Split-Bolt Connector for Use on Copper, Aluminum Conductors. Conductor Range for Equal Main and Tap 2/0-4 Str.

Features

Installs with standard wrenches.

Application

Splicing, tapping or terminating conductors in power and grounding electrical connection.



General

Style	Type APS
Wire Type	Copper, Aluminum
Material	Aluminum
Plating	Electro Tin-Plated
Color	Metallic
Conductor Range for Equal Main and Tap 2/0-4 Str.	

Dimension Information

A (inches)	7/8
B (inches)	0.44
C (inches)	1 1/8
D (inches)	2.07
E (inches)	1 1/2

Packaging

T&B Inner Pack	25
Package in Units	250
T&B Sold in UOM	Each
T&B Weight Per UOM	11.84 lbs. per 100

Application Support

T&B Instruction Sheets	ta04215-tb2
------------------------	-------------

Certifications

RoHS Compliance	Yes
-----------------	-----

Certifications



File Nbr:
 E9809

For further technical assistance, please contact us...

Thomas & Betts - USA
 8155 T&B Blvd.
 Memphis, TN 38125
 www.tnb.com

T&B Technical Support
 MS 3B-50
 8155 T&B Blvd.
 Memphis, TN 38125

Hours: 7AM - 6PM CDT
 Monday-Friday
 Phone: (888) 862-3289
 Fax: (901) 252-1321
 Email:techsupport@tnb.com