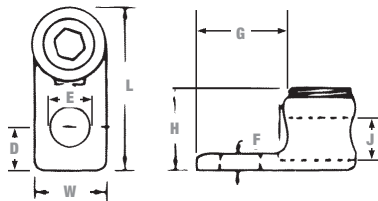




Copper Mechanical Connectors

Type L — Single Conductor, One-Hole Mount

- For copper conductors
- Screws are plated steel
- Compact design
- Add suffix P to catalogue number for tin plating
- One-piece construction for strength and durability
- Excellent for confined quarters
- Cat. Nos. L400 and L650 are cast from high strength bronze alloy
- Cat. Nos. L35, L70, L125 and L250 are cold forged from pure electrolytic copper
- Other models are cast from high strength bronze alloy
- CSA Certified and UL Listed

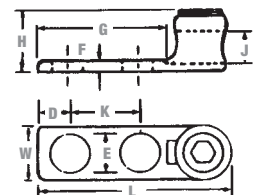
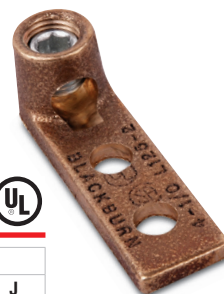


Cat. No.		Conductor Range		Dimensions (in.)							
Socket	Hex	Max.	Min.	L	W	H	F	D	J	E	G
L35*	-	8 str.	14 sol.	13/16	3/8	3/8	3/32	13/64	11/64	13/64	1/2
L70*	-	4 str.		1-1/8	17/32	35/64		9/32	9/32	9/32	21/32
L125BB**	L125H	1/0 str.	8 sol.	1-1/2	47/64	3/4		3/8	27/64	21/64	27/32
L250**	L250H	250 kcmil	6 str.	1-61/64	15/16	1-1/16	1/8	29/64	5/8	13/32	1-3/32
L400-BB**	L400H	500 kcmil	4/0 str.	3	1-13/32	1-15/32	9/32	5/8	7/8	9/16	1-5/8
L650BB**	L650H	1000 kcmil	500 kcmil	4	2	2-3/16	17/32	3/4	1-1/4		2

* Sizes L35 and L70 have screwdriver slot head screws only.
 ** Sizes L125 and up are Allen head screws.

Type L — Single Conductor, Two-Hole Mount

- Cast from high strength bronze alloy
- For use where large contact area is required to provide a more secure mounting
- CSA Certified and UL Listed

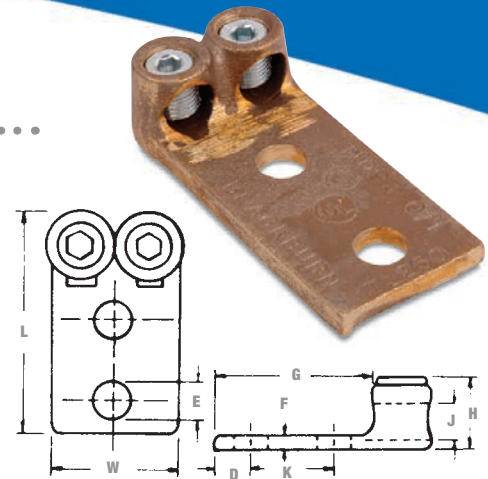


Cat. No.		Conductor Range		Dimensions (in.)									
Socket	Hex	Max.	Min.	L	W	H	F	D	K	E	G	J	
L1252	L1252H	1/0 str.	4 str.	2-13/16	25/32	13/16	3/16			11/32	2	27/64	
L2502	L2502H	250 kcmil	1/0 str.	3	3	1-1/32	15/64	7/16	1	13/32	1-7/8	5/8	
L4002	L4002H	500 kcmil	4/0 str.	3-3/8	3-3/8	1-15/32	5/16				1-15/16	57/64	
L6502-BB	L6502H	1000 kcmil	500 kcmil	4-15/16	4-15/16	2	3/8	9/16	1-1/2	9/16	2-3/4	1-1/4	

Copper Mechanical Connectors

Type TL — Two Conductors, Two-Hole Mount

- Conveniently terminates parallel conductors
- For copper conductors
- Screws are plated steel
- Compact design
- Add suffix P to catalogue number for tin plating
- One-piece construction for strength and durability
- Excellent for confined quarters
- CSA Certified and UL Listed
- Cast from high strength bronze alloy

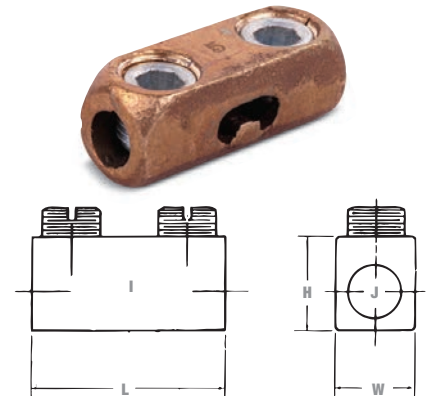


Cat. No.		Conductor Range		Dimensions (in.)								
Socket	Hex	Max.	Min.	L	W	H	F	K	E	D	G	J
TL250	TL250H	250 kcmil	1/0 str.	4-5/16	1-7/8	9/32	5/8	1-3/4	9/16	1-1/16	3-3/16	5/8
TL400	TL400H	500 kcmil	4/0 str.	4-3/4	2-9/16	13/32	11/16			1-9/16	3	7/8
TL650*	TL650H	1000 kcmil	500 kcmil	5-9/16	3-1/4	9/16	5/8			2-3/16	3-3/8	1-1/4

*Four hole NEMA tang on TL650.

Type S — Copper End-to-End Splice Connectors

- Cast of high strength bronze alloy
- Plated steel socket head set screws
- For copper conductors
- Compact design
- Add suffix P to catalogue number for tin plating
- One-piece construction for strength and durability
- Excellent for confined quarters
- CSA Certified and UL Listed



Cat. No.	Conductor Range		Dimensions (in.)				
	Max.	Min.	L	W	H	J	I
S100BB	1 str.	4 str.	1-11/16	5/8	11/16	3/8	15/16
S225BB*	4 str.	1 str.	2-3/16	27/32	31/32	9/16	1-3/16
S400BB	500 kcmil	4/0 str.	2-7/8	1-3/16	1-5/16	7/8	1-5/8

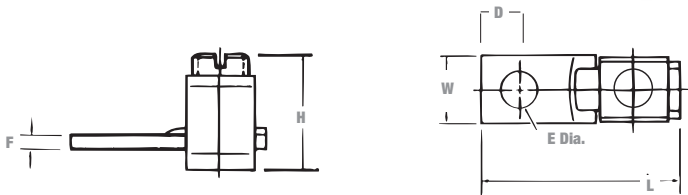
* Not UL Listed.

Copper Mechanical Connectors



Type STC — Copper Single Conductor, One-Hole Mount (Straight Tang)

- Uniquely designed pressure bar and notched v-bottom collar provide a vise-like grip between conductor and terminal
- CSA Certified and UL Listed for copper conductors
- Made of electrolytic seamless coppers
- Screws are zinc plated steel



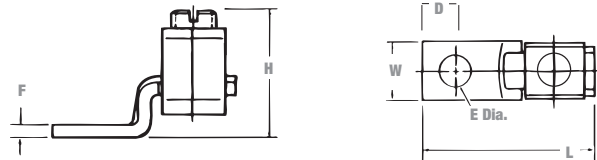
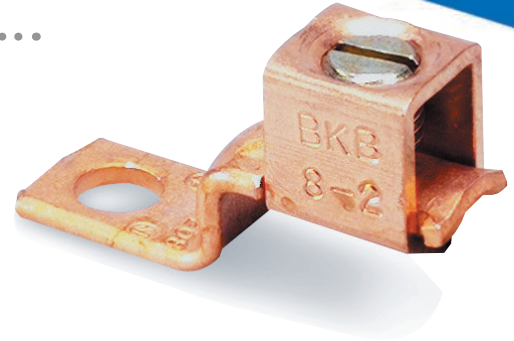
Cat. No.	Conductor Range		Dimensions (in.)					
	Max.	Min.	L	W	H	F	E	D
STC1014*	10 AWG	14 AWG	1	5/16	1/2	5/64	5/32	3/16
STC0614	6 str.		1-9/64	3/8	11/16		13/64	7/32
STC0414	4 str.	8 str.	1-1/4	1/2	37/32	3/32	17/64	1/4
STC0208	2 str.		1-15/32		31/32			1/7
STC1102	1/0 str.	2 str.	1-15/16	5/8	1-1/4	1/8	13/32	7/16
STC3104	3/0 str.	4 str.	2-1/4	3/4	1-9/16			11/32
STC4102	4/0 str.	2 str.	2-3/8	1	1-21/32	3/16	13/32	5/8
STC3511	350 kcmil	1/0 str.	3-1/4		1-5/8		15/16	15/16
STC5011	500 kcmil		3-7/8	1-1/2	1-13/16	17/32	1-1/8	
STC9960	1000 kcmil	600 kcmil	5	2	2-5/8	1/4	17/32	1-1/8

* CSA not applicable.

Copper Mechanical Connectors

Type BTC — Copper Single Conductor, One-Hole Mount (Offset Tang)

- CSA Certified and UL Listed, tested for copper conductors
- Made of electrolytic seamless copper
- Screws are zinc plated steel



Cat. No.	Conductor Range		Dimensions (in.)					
	Max.	Min.	L	W	H	F	E	D
BTC1014*	10 AWG	14 AWG	1	5/16	43/64	5/64	5/32	3/16
BTC0614	6 str.		1-3/32	3/8	25/32		13/64	7/32
BTC0208	2 str.	8 str.	1-15/32	1/2	27/32	3/32	17/64	1/4
BTC1102	1/0 str.	2 str.	1-25/32	5/8	1-13/32	1/8	13/32	7/16
BTC3104	3/0 str.	4 str.	2-3/64	3/4	1-9/16		11/32	1/2
BTC4102	4/0 str.	2 str.	2-9/16	1	1-61/64		3/16	13/32
BTC3511	350 kcmil	1/0 str.	3-1/4		1-1/2	2-21/32		15/16
BTC5011	500 kcmil		4-1/4	2	3-9/16	17/32	1-1/8	
BTC9960	1000 kcmil	600 kcmil	4-3/4					