

Type: _____
 Project/Location: _____
 Contractor: _____
 Prepared By: _____
 Date: _____
 Model No.: _____

EF18/EF18D/ EF18T Series

Surface Mounted,
Remote Fixture



FEATURES

- PAR 36, surface-mounted, large remote fixtures
- Single, double or triple head
- Positive aim swivel
- CSA certified to C22.2 No. 141



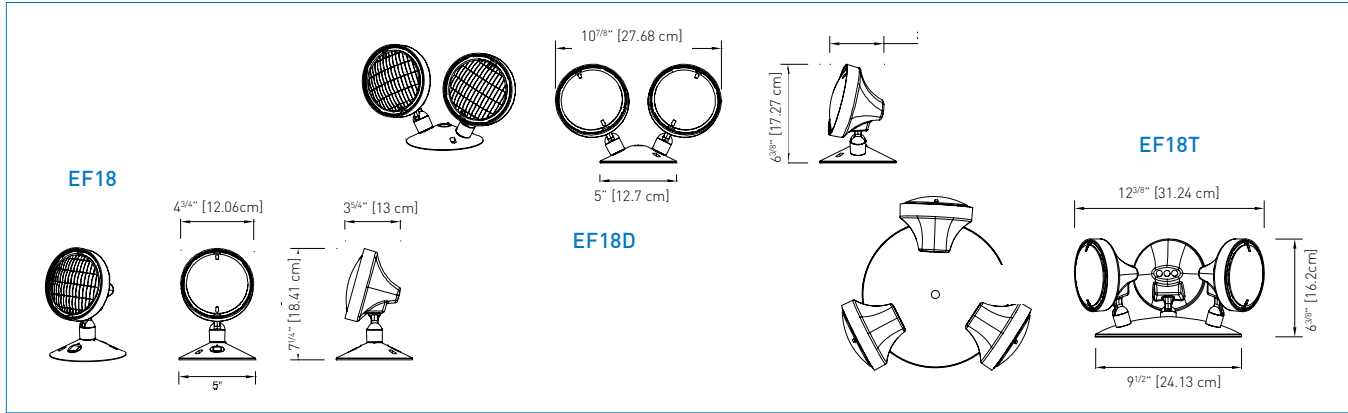
REPLACEMENT LAMPS

MODEL	LAMP TYPE	VOLTAGE/WATTAGE
570.0016-E	Mini tungsten, wedge base	6V-9W
570.0025-E	Mini tungsten, wedge base	12V-9W
580.0023-E	Mini halogen (quartz), bi-pin	24V-20W

For the complete list, please see the lamp chart on pages 156 to 158

DIMENSIONS

Dimensions are approximate and subject to change.



TYPICAL SPECIFICATIONS

Base and remote head are injection-molded thermoplastic, shockproof and flame retardant. Shall be supplied factory white or black. The setting point shall provide visual indication of the light distribution.

The fixture shall be supplied with a canopy to be installed on any standard octagonal box. The housing shall be designed to allow lamp replacement when required.

The remote unit shall be the **Emergi-Lite®** model: _____

WIRE GUARDS

460.0035-E	Wall Mount (EF18)
460.0082-E	Wall Mount (EF18D)
460.0078-E	Wall Mount (EF18T)

ORDERING INFORMATION

SERIES	LAMP TYPE	COLOUR	VOLTAGE/WATTAGE/LAMP TYPE	OPTION
EF18= single EF18D= double EF18T= triple	Blank= tungsten Q= halogen S= tungsten sealed beam H= halogen sealed beam	Blank= factory white (PVC) B= black (PVC) C= chrome (metal) M= factory white (metal)	-6V9W= tungsten, 6V - 9W, wedge base -6V__W= tungsten, 6V - 18 or 25W, D.C.B. -12V__W= tungsten, 12V - 9 or 18W, wedge base -24V__W= tungsten, 24V - 9 or 18W, wedge base -24V25W= tungsten, 24V - 25W, D.C.B. -6V__W= halogen, 6V - 8 or 20W, bi-pin -12V__W= halogen, 12V - 8, 12, 20 or 55W, bi-pin -24V__W= halogen, 24V - 20 or 70W, bi-pin -6V__W= tungsten, 6V - 8, 12, 18 or 25W, sealed beam -12V__W= tungsten, 12V - 12, 18 or 25W, sealed beam -6V__W= halogen, 6V - 8, 12 or 20W, sealed beam -12V__W= halogen, 12V - 8, 12 or 37W, sealed beam -32V__W= tungsten, 32V - 18 or 25W, D.C.B. -120V__W= tungsten, 120V-10 or 15W, D.C.B.	FP= teflon coated lens
			Lamp 50W and above to use metal head only. NOTE : " __ " insert wattage required.	

EXAMPLE: EF18Q-12V12W