

737 Series Adaptors and Reducers

Cable Gland Accessories

Increased Safety and Flameproof.

NEC/CEC:
Class 1, Group A, B, C, D
Zone 1, AEx de II
IP66/68 ①

ATEX/IECEX:
Zone 1 and 2 – 21 and 22
Ⓢ II 2 GD
IP66/68 ①

Applications

- A wide range of thread conversion adaptors and reducers for hazardous area applications. Used to connect cable entry devices and equipment having dissimilar threads.
- Care should be taken to ensure that a suitable sealing gasket is also selected and installed, where applicable, to ensure that an effective seal is made at the entry, thereby maintaining the integrity of the enclosure or equipment IP rating.

Features

- Triple Certification Ex d/Ex e/Ex nR.

Standard Materials

- Nickel plated brass

Options

- Copper free aluminum: replace last digit 5 with 1
- Brass version: remove last digit 5
- 316L stainless steel version: replace last digit 5 with 4
- Shroud, locknut, earth tag, entry thread seal, serrated washers, adaptors and reducers: see *Cable Gland Accessories* pages.

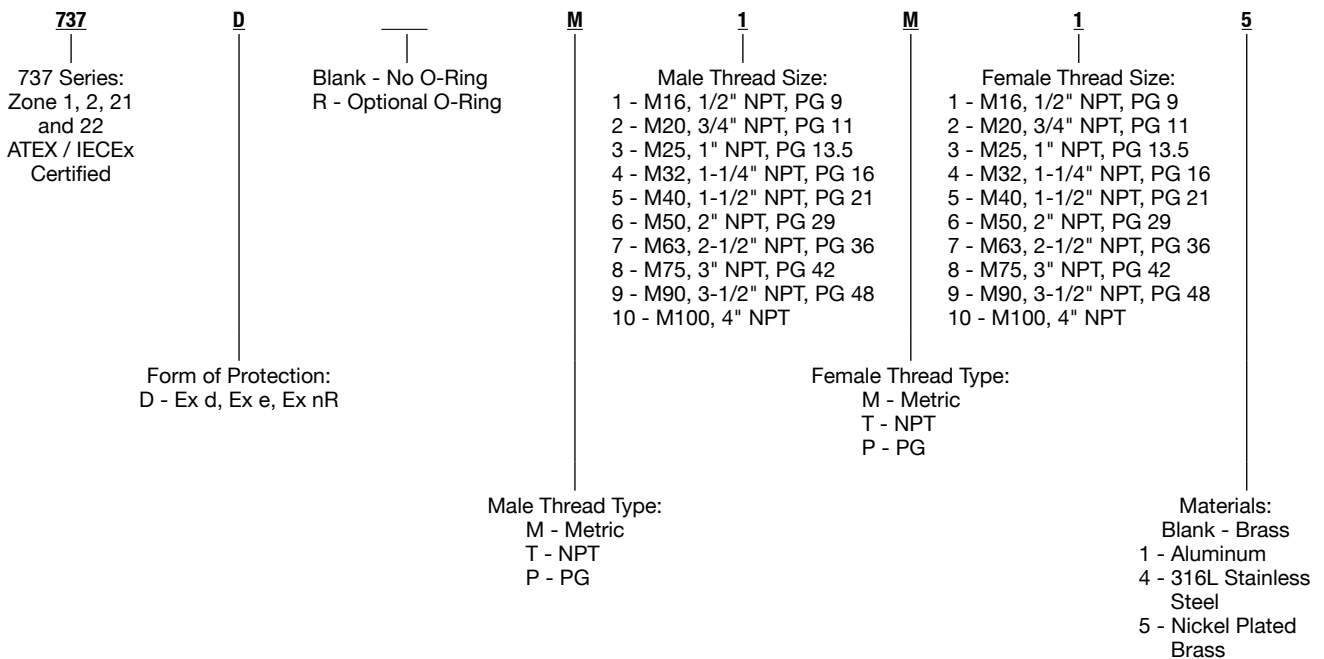
NEC/CEC Certifications and Compliances

- UL Standard: 886 (1203), E60079-0, E60079-1, E60079-7
- CSA Standard: C22.2 No. 30, CAN/CSA E60079-0, CAN/CSA E60079-1, CAN/CSA E60079-7
- cCSAus Certified: 113642

ATEX/IECEX Certifications and Compliances

- Certification Type 737
- Zones 1 and 2, Gas
 - ATEX/IEC Protection: Ex d IIC, Ex e II

Catalog Numbering Guide



① IP68 with entry thread seal or O-Ring not supplied, see *Cable Gland Accessories and Tools*.



737 Series Adaptors and Reducers

Cable Gland Accessories

Increased Safety and Flameproof.

NEC/CEC:
Class 1, Group A, B, C, D
Zone 1, AEx de II
IP66/68 ①

ATEX/IECEx:
Zone 1 and 2 – 21 and 22
II 2 GD
IP66/68 ①

NEC/CEC CLASS/ZONE AND ATEX/IECEx/NBR IEC ZONE 1 RATED CABLE GLANDS

Fittings

Size	Male Thread										Female Thread																				
	M16	M20	M25	M32	M40	M50	M63	M75	PG7	PG9	PG11	PG13.5	PG16	PG21	PG29	PG36	PG42	PG48	1/2" NPT/NPS (M)	3/4" NPT/NPS (M)	1" NPT/NPS (M)	1-1/4" NPT/NPS (M)	1-1/2" NPT/NPS (M)	2" NPT/NPS (M)	2-1/2" NPT/NPS (M)	3" NPT/NPS (M)	3-1/2" NPT/NPS (M)	4" NPT/NPS (M)			
M16	█																														
M20		█																													
M25			█																												
M32				█																											
M40					█																										
M50						█																									
M63							█																								
M75								█																							
PG7	█								█																						
PG9		█								█																					
PG11			█								█																				
PG13.5				█								█																			
PG16					█								█																		
PG21						█								█																	
PG29							█								█																
PG36								█								█															
PG42									█								█														
PG48										█								█													
1/2" NPT/NPS (M)																															
3/4" NPT/NPS (M)																															
1" NPT/NPS (M)																															
1-1/4" NPT/NPS (M)																															
1-1/2" NPT/NPS (M)																															
2" NPT/NPS (M)																															
2-1/2" NPT/NPS (M)																															
3" NPT/NPS (M)																															
3-1/2" NPT/NPS (M)																															
4" NPT/NPS (M)																															

█ Ex d/Ex e reducer █ Ex d/Ex e adaptor □ Non-certified adaptor

Thread Table

	Metric ①	NPT	PG
1	M16	1/2"	PG9
2	M20	3/4"	PG11
3	M25	1"	PG13.5
4	M32	1-1/4"	PG16
5	M40	1-1/2"	PG21
6	M50	2"	PG29
7	M63	2-1/2"	PG36
8	M75	3"	PG42
9	M90	3-1/2"	PG48
10	M100	4"	-

① IP68 with entry thread seal or O-Ring (not supplied), see Cable Gland Accessories and Tools.

737 Series Adaptors and Reducers

Cable Gland Accessories

Increased Safety and Flameproof.

NEC/CEC:
Class 1, Group A, B, C, D
Zone 1, AEx de II
IP66/68 ①

ATEX/IECEX:
Zone 1 and 2 – 21 and 22
II 2 GD
IP66/68 ①

Reducers (Nickel Plated Brass)			Adapters (Nickel Plated Brass)		
Male Thread	Female Thread	Catalog Number	Male Thread	Female Thread	Catalog Number
M20	M16	737DM2M15	M16	M20	737DM1M25
M25	M16	737DM3M15	M20	M25	737DM2M35
M25	M20	737DM3M25	M25	M32	737DM3M45
M32	M20	737DM4M25	M32	M40	737DM4M55
M32	M25	737DM4M35	M40	M50	737DM5M65
M40	M25	737DM5M35	M50	M63	737DM6M75
M40	M32	737DM5M45	M63	M75	737DM7M85
M50	M32	737DM6M45	M75	M90	737DM8M95
M50	M40	737DM6M55	M90	M100	737DM9M105
M63	M40	737DM7M55	M16	1/2	737DM1T15
M63	M50	737DM7M65	M20	1/2	737DM2T15
M75	M50	737DM8M65	M20	3/4	737DM2T25
M75	M63	737DM8M75	M25	3/4	737DM3T25
1/2	3/4	737DT1T25	M25	1	737DM3T35
3/4	1/2	737DT2T15	M32	1	737DM4T35
1	1/2	737DT3T15	M32	1-1/4	737DM4T45
1	3/4	737DT3T25	M40	1-1/4	737DM5T45
1-1/4	3/4	737DT4T25	M40	1-1/2	737DM5T55
1-1/4	1	737DT4T35	M50	1-1/2	737DM6T55
1-1/2	1	737DT5T35	M50	2	737DM6T65
1-1/2	1-1/4	737DT5T45	M63	2	737DM7T65
2	1-1/4	737DT6T45	M63	2-1/2	737DM7T75
2	1-1/2	737DT6T55	M75	2-1/2	737DM8T75
2-1/2	1-1/2	737DT7T55	M75	3	737DM8T85
2-1/2	2	737DT7T65	1/2	M20	737DT1M25
3	2	737DT8T65	3/4	M20	737DT2M25
3	2-1/2	737DT8T75	3/4	M25	737DT2M35
3-1/2	2-1/2	737DT9T75	1	M25	737DT3M35
3-1/2	3	737DT9T85	1	M32	737DT3M45
4	3	737DT10T85	1-1/4	M32	737DT4M45
4	3-1/2	737DT10T95	1-1/4	M40	737DT4M55
			1-1/2	M40	737DT5M55
			1-1/2	M50	737DT5M65
			2	M50	737DT6M65
			2	M63	737DT6M75
			2-1/2	M63	737DT7M75
			2-1/2	M75	737DT7M85
			3	M75	737DT8M85

NEC/CEC CLASS / ZONE AND ATEX/IECEX/NBR IEC ZONE 1 RATED CABLE GLANDS

Fittings

① IP68 with entry thread seal or O-Ring not supplied, see Cable Gland Accessories and Tools.