

Code•Master™ LED Factory Sealed Luminaires

Explosionproof, Dust-Ignitionproof

NEC/CEC:

Class I, Division 1 and 2, Groups B, C, D ★
Class I, Zone 1, Group IIB + H₂
Class II, Division 1, Group E, F, G
Class II, Division 2, Group F, G
Class III

NEC/CEC:

Simultaneous Exposure
Type 3R, 4X
IP66/67
Suitable for Use in Wet Locations
Marine Outside Type (Salt Water) *

Applications

- Explosionproof fixtures suitable for use in:
 - A wide range of hazardous areas where ignitable vapors, dust, moisture and corrosive elements are present
 - Areas where access to relamp is difficult, reliability is essential, and environment is costly to maintain. Consistent light levels maintained regardless of cold temperatures
 - Areas requiring frequent on-and-off of lights or power cycling- no warm up time required
 - Type 4X, marine, wet locations and hose-down environments
 - Areas with high energy costs- Code•Master LED consumes 50% less power than its HID equivalent
- Typical applications include:
 - Chemical
 - Oil, Gas, and Petrochemical
 - Pulp and Paper
 - Foundries
 - Manufacturing
 - Waste and sewage treatment
 - Pharmaceutical
 - Mining
 - Power Generation

Features

- Fixture operates safely in high ambient temperatures
 - 70 W equivalent: -40 °C to +65 °C (-40 °F to +149 °F)
 - 100 W equivalent: -40 °C to +65 °C (-40 °F to +149 °F)
 - 150 W equivalent: -40 °C to +55 °C (-40 °F to +131 °F)
 - 175 W equivalent: -40 °C to +50 °C (-40 °F to +122 °F)
 - 250 W equivalent: -40 °C to +50 °C (-40 °F to +122 °F)
 - 350 W equivalent: -40 °C to +50 °C (-40 °F to +122 °F)
 - 400 W equivalent: -40 °C to +55 °C (-40 °F to +131 °F)
- 60,000 hours rated life eliminates the need for frequent relamping.
- Arrangement of heat-producing components results in more efficient heat dissipation for cooler fixture operation.
- All threaded joints are flame-tight.
- Fixture housing and mounting hoods are copperfree cast aluminum with baked epoxy finish. All exposed hardware is stainless steel.
- Aluminum body utilizes the same Code•Master HID mounting hoods, and is an easy retrofit for existing Code•Master HID installations; can be pendant, ceiling, wall, or stanchion mounted.
- Acme double-lead threads speed installation and fixture removal from mounting hood – only half as many turns are required as for single-lead threads. The threads do not stick or gall, eliminating the troublesome problems often encountered with single lead threads during fixture unit removal.
- Safe, easy servicing without disconnecting any wiring. "Wireless" fixture unit easily threads off mounting hood for convenient servicing or for immediate replacement with a "stand-by" unit.
- Factory sealed. External seals not required.
- Globe, driver and LED array are all field replaceable.
- LED arrays generate light outputs from 2,580 to 13,730 lumens (an equivalent of 70 W HID to 400 W HID lamps) providing exceptional efficacy
- Choice of replaceable clear or diffused glass globe.



- Universal, high efficiency, drivers cover voltage requirements for 120-277 Vac and 347-480 Vac, 50/60 Hz, Volts +/- 10%.
- Standard surge suppression:
 - 3KV for 347-480 Vac input
 - 4KV for 120-277 Vac input

Standard Materials

- Mounting hoods and bodies: cast copperfree (4/10 of 1% max.) aluminum
- All hardware, catch assemblies and yoke bracket: stainless steel
- Gaskets: silicone
- Globe: explosionproof glass

Standard Finishes

- Mounting hoods, bodies, and guards: baked gray epoxy clad finish, electrostatically applied for complete uniform protection

Options

- Safety cable, add suffix -C.
- Lens guard, add suffix -G.
- Fusing, add suffix -F ①★.

NEC/CEC Certifications and Compliances

- UL Standard: UL 50, UL 50E, UL 844, UL 1598, UL 1598A, UL 8750
- CSA Standard: CAN/CSA-C22.2 No. 94.1-07 (R2012), CAN/CSA-C22.2 No. 94.2-07 (R2012), CAN/CSA-C22.2 No. 137-M1981 (R2009), CAN/CSA-C22.2 No. 250.0-08 (R2013), CAN/CSA-C22.2 No. 250.13, CAN/CSA-C22.2 No. 60529-05 (R2010)
- ANSI Standard: ANSI/IEC 60529
- cCSAus Certified: 70030675

① Canadian Electrical Code does NOT allow fusing in hazardous locations. Fuse not CEC rated.

★ Complete Code•Master LED luminaire consists of fixture unit and a mounting hood. For Group B applications a Group B rated mounting hood must be used.

* Use of a fuse voids Marine Outside Type (Salt Water) rating.

Code•Master™ LED Factory Sealed Luminaires

Explosionproof, Dust-Ignitionproof

NEC/CEC:
 Class I, Division 1 and 2, Groups B, C, D ★
 Class I, Zone 1, Group IIB + H₂
 Class II, Division 1, Group E, F, G
 Class II, Division 2, Group F, G
 Class III

NEC/CEC:
 Simultaneous Exposure
 Type 3R, 4X
 IP66/67
 Suitable for Use in Wet Locations
 Marine Outside Type (Salt Water) *

LED/AREA: NEC/CEC EXPLOSIONPROOF/ATEX/IECEx FLAMEPROOF

Illustrated Features



Mounting Hood Compatibility

Code•Master LED is compatible with existing Code•Master mounting hoods. For easy installation, install and wire the mounting hood and simply thread in fixture. Double lead Acme threads are provided for ease of installation.



Replaceable LED Array

Replacement LED arrays are available and can be easily installed in the field. Unthread the glass globe assembly to access the LED array.



Driver Assembly

Utilizing non-sparking components avoiding the ignition of gases or vapors that may be present (nA). Driver can be easily accessed and replaced.



Rugged and Durable Housing

Mounting hoods and bodies are copper free aluminum with baked epoxy-clad finish, electrostatically applied for complete uniform protection.



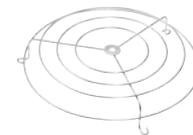
Replaceable Globe Assembly

The replaceable globe assembly is available with clear glass.



Optional Fusing *

Fuse kit includes fuse, fuse holder and necessary hardware for field installation.



Optional Wire Guard

Stainless steel wire guard can be used for additional protection.

★ Complete Code•Master LED luminaire consists of fixture unit and a mounting hood. For Group B applications a Group B rated mounting hood must be used.
 * Use of a fuse voids Marine Outside Type (Salt Water) rating.
 Canadian Electrical Code does NOT allow fusing in hazardous locations. Fuse not CEC rated.

Code•Master™ LED Factory Sealed Luminaires

Explosionproof, Dust-Ignitionproof

NEC/CEC:

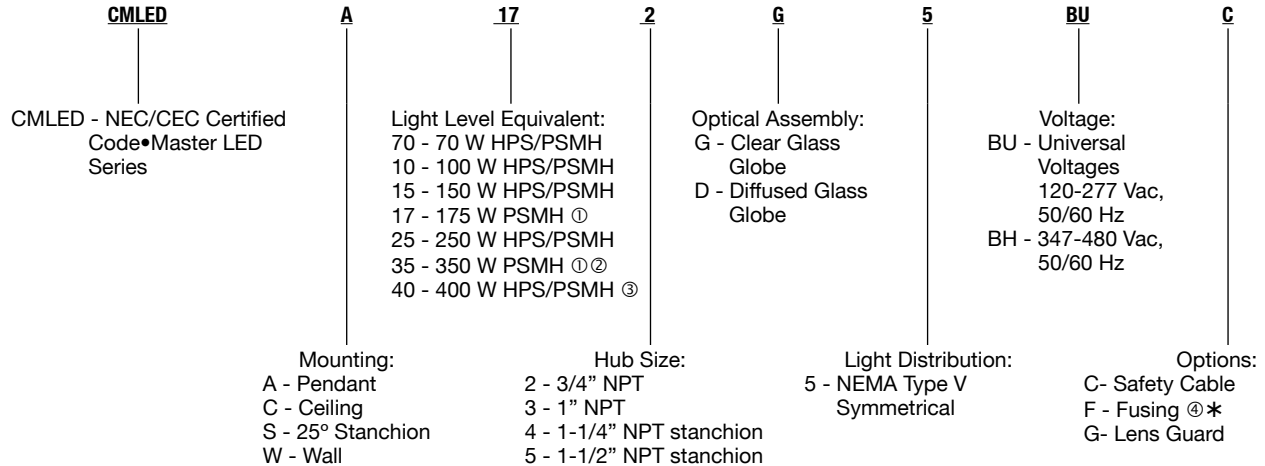
Class I, Division 1 and 2, Groups B, C, D ★
 Class I, Zone 1, Group IIB + H₂
 Class II, Division 1, Group E, F, G
 Class II, Division 2, Group F, G
 Class III

NEC/CEC:

Simultaneous Exposure
 Type 3R, 4X
 IP66/67
 Suitable for Use in Wet Locations
 Marine Outside Type (Salt Water) *

Order using catalog numbering guides below or select catalog number from tables on following pages.

Catalog Numbering Guide — NEC/CEC Certified Mercmaster LED



LED/AREA: NEC/CEC EXPLOSIONPROOF/ATEX/IECEX FLAMEPROOF



① Pulse Start Metal Halide only. Does not have a High Pressure Sodium equivalent.

② Available for use with the BH voltage only (347-480 Vac, 50/60 Hz).

③ Available for use with the BU voltage only (120-277 Vac, 50/60 Hz).

④ Canadian Electrical Code does NOT allow fusing in hazardous locations. Fuse not CEC rated.

* Complete Code•Master LED luminaire consists of fixture unit and a mounting hood. For Group B applications a Group B rated mounting hood must be used.

* Use of a fuse voids Marine Outside Type (Salt Water) rating.

Code•Master™ LED Factory Sealed Luminaires

Explosionproof, Dust-Ignitionproof

NEC/CEC:
 Class I, Division 1 and 2, Groups B, C, D ★
 Class I, Zone 1, Group IIB + H₂
 Class II, Division 1, Group E, F, G
 Class II, Division 2, Group F, G
 Class III

NEC/CEC:
 Simultaneous Exposure
 Type 3R, 4X
 IP66/67
 Suitable for Use in Wet Locations
 Marine Outside Type (Salt Water) *

LED/AREA: NEC/CEC EXPLOSIONPROOF/ATEX/IECEx FLAMEPROOF

Technical Data

Light Level Equivalent to HID	Lamp		Ambient Temperature °C (°F)	Supply Wire Temperature °C (°F)	Class I, Division 1	Class I, Zone 1	Class II, Division 1
	Type						
70 Watt	CMLED70		40 (104)	75 (167)	T6	T6	T6
			55 (131)	75 (167)	T6	T6	T6
			65 (143)	75 (167)	T6	T6	T6
100 Watt	CMLED10		40 (104)	75 (167)	T6	T6	T6
			55 (131)	75 (167)	T6	T6	T6
			65 (143)	75 (167)	T6	T6	T6
150 Watt	CMLED15		40 (104)	75 (167)	T6	T6	T6
			55 (131)	75 (167)	T6	T6	T6
175 Watt	CMLED17		40 (104)	75 (167)	T6	T6	T6
			50 (122)	75 (167)	T6	T6	T6
250 Watt	CMLED25		40 (104)	75 (167)	T6	T6	T6
			50 (122)	75 (167)	T6	T6	T6
350 Watt	CMLED35		40 (104)	75 (167)	T6	T6	T6
			50 (122)	75 (167)	T6	T6	T6
400 Watt	CMLED40		40 (104)	75 (167)	T6	T6	T6
			55 (131)	75 (167)	T6	T6	T6

“T” Numbers Represent the Maximum Surface Temperature for Class I, Division 1 locations and Maximum Surface Temperature Under Dust Blanket for Class II, Division 1 Locations.

“T” #	T1	350	325	T2	T2A	T2B	T2C	T2D	T3	T3A	T3B	T3C	T4	T4A	T5	T6
Temp. Range °C (°F)	351-450 (664-842)	326-350 (619-662)	301-325 (574-617)	281-300 (538-572)	261-280 (502-536)	231-260 (448-500)	216-230 (421-446)	201-215 (394-419)	181-200 (358-392)	166-180 (331-356)	161-165 (322-329)	136-160 (277-320)	121-135 (250-275)	101-120 (214-248)	86-100 (187-212)	85 (185)

★ Complete Code•Master LED luminaire consists of fixture unit and a mounting hood. For Group B applications a Group B rated mounting hood must be used.
 * Use of a fuse voids Marine Outside Type (Salt Water) rating.

Code•Master™ LED Factory Sealed Luminaires

Explosionproof, Dust-Ignitionproof

NEC/CEC:
 Class I, Division 1 and 2, Groups B, C, D ★
 Class I, Zone 1, Group IIB + H₂
 Class II, Division 1, Group E, F, G
 Class II, Division 2, Group F, G
 Class III

NEC/CEC:
 Simultaneous Exposure
 Type 3R, 4X
 IP66/67
 Suitable for Use in Wet Locations
 Marine Outside Type (Salt Water) *

Lamp Comparison Chart

Lamp Data	Line Current Amps	Input Power	THD	Lumens ①		CRI ②	Lamp Life (Hours)	Color Temp CCT
				Clear Glass Globe	Diffused Glass Globe			
NEMA Type V								
CMLED70	0.31 @ 120V	37	< 20%	2400	2000	70	60,000+	5650
	0.17 @ 277V	47						
	0.24 @ 347V	83						
	0.11 @ 480V	52						
CMLED10	0.41 @ 120V	49	< 20%	4050	3500	70	60,000+	5650
	0.20 @ 277V	55						
	0.25 @ 347V	86						
	0.12 @ 480V	57						
CMLED15	0.53 @ 120V	64	< 20%	5200	4500	70	60,000+	5650
	0.25 @ 277V	69						
	0.29 @ 347V	98						
	0.14 @ 480V	67						
CMLED17	0.64 @ 120V	77	< 20%	6500	5500	70	60,000+	5650
	0.28 @ 277V	78						
	0.25 @ 347V	86						
	0.16 @ 480V	88						
CMLED25	0.90 @ 120V	108	< 20%	9350	8050	70	60,000+	5650
	0.36 @ 277V	100						
	0.45 @ 347V	96						
	0.31 @ 480V	95						
CMLED35	0.32 @ 347V	111	< 20%	11200	9800	70	60,000+	5650
	0.23 @ 480V	110						
CMLED40	1.05 @ 120V	126	< 20%	12800	10850	70	60,000+	5650
	0.47 @ 277V	130						

★ Complete Code•Master LED luminaire consists of fixture unit and a mounting hood. For Group B applications a Group B rated mounting hood must be used.

* Use of a fuse voids Marine Outside Type (Salt Water) rating.

① All lumen values are typical (tolerance +/- 10%).

② 70 typical.

Visit our website at www.emerson.com or contact us at (800) 621-1506.

© November 2016

LED/AREA: NEC/CEC EXPLOSIONPROOF/ATEX/IECEX FLAMEPROOF

Appleton

Code•Master™ LED Factory Sealed Luminaires



Explosionproof, Dust-Ignitionproof

NEC/CEC:
 Class I, Division 1 and 2, Groups B, C, D ★
 Class I, Zone 1, Group IIB + H₂
 Class II, Division 1, Group E, F, G
 Class II, Division 2, Group F, G
 Class III

NEC/CEC:
 Simultaneous Exposure
 Type 3R, 4X
 IP66/67
 Suitable for Use in Wet Locations
 Marine Outside Type (Salt Water) *

LED/AREA: NEC/CEC EXPLOSIONPROOF/ATEX/IECEx FLAMEPROOF

Appleton®

	LED Wattage	Lamp Wattage Equivalent	Hub Size	Catalog Number	
				Clear Glass ①②③	Diffused Glass ①②③
Pendant — One Hub, Rigid or Flexible Mounting — 50/60 Hz					
	35/33 W	70 W HPS/PSMH	3/4	CMLEDA702G5	CMLEDA702D5
	47.5/46 W	100 W HPS/PSMH	3/4	CMLEDA102G5	CMLEDA102D5
	61/62 W	150 W HPS/PSMH	3/4	CMLEDA152G5	CMLEDA152D5
	74/72 W	175 W PSMH	3/4	CMLEDA172G5	CMLEDA172D5
	95.5/92 W	250 W HPS/MH	3/4	CMLEDA252G5	CMLEDA252D5
	102/103 W	350 W PSMH	3/4	CMLEDA352G5	CMLEDA352D5
	127/128 W	400 W HPS/PSMH	3/4	CMLEDA402G5	CMLEDA402D5
	35/33 W	70 W HPS/PSMH	1	CMLEDA703G5	CMLEDA703D5
	47.5/46 W	100 W HPS/PSMH	1	CMLEDA103G5	CMLEDA103D5
	61/62 W	150 W HPS/PSMH	1	CMLEDA153G5	CMLEDA153D5
	74/72 W	175 W PSMH	1	CMLEDA173G5	CMLEDA173D5
	95.5/92 W	250 W HPS/MH	1	CMLEDA253G5	CMLEDA253D5
	102/103 W	350 W PSMH	1	CMLEDA353G5	CMLEDA353D5
	127/128 W	400 W HPS/PSMH	1	CMLEDA403G5	CMLEDA403D5
Ceiling — Four Hubs, Three Close-up Plugs — 50/60 Hz					
	35/33 W	70 W HPS/PSMH	3/4	CMLEDC702G5	CMLEDC702D5
	47.5/46 W	100 W HPS/PSMH	3/4	CMLEDC102G5	CMLEDC102D5
	61/62 W	150 W HPS/PSMH	3/4	CMLEDC152G5	CMLEDC152D5
	74/72 W	175 W PSMH	3/4	CMLEDC172G5	CMLEDC172D5
	95.5/92 W	250 W HPS/MH	3/4	CMLEDC252G5	CMLEDC252D5
	102/103 W	350 W PSMH	3/4	CMLEDC352G5	CMLEDC352D5
	127/128 W	400 W HPS/PSMH	3/4	CMLEDC402G5	CMLEDC402D5
	35/33 W	70 W HPS/PSMH	1	CMLEDC703G5	CMLEDC703D5
	47.5/46 W	100 W HPS/PSMH	1	CMLEDC103G5	CMLEDC103D5
	61/62 W	150 W HPS/PSMH	1	CMLEDC153G5	CMLEDC153D5
	74/72 W	175 W PSMH	1	CMLEDC173G5	CMLEDC173D5
	95.5/92 W	250 W HPS/MH	1	CMLEDC253G5	CMLEDC253D5
	102/103 W	350 W PSMH	1	CMLEDC353G5	CMLEDC353D5
	127/128 W	400 W HPS/PSMH	1	CMLEDC403G5	CMLEDC403D5

① For optional fusing, add suffix **-F** to the end of the catalog number. The Canadian Electrical Code does NOT allow fusing in hazardous locations. Fuse not CEC rated.

② For optional safety cable, add suffix **-C** to the end of the catalog number.
 For optional lens guard, add suffix **-G** to the end of the catalog number.

③ For 120-277 Vac, add suffix **-BU**; For 347-480 Vac add suffix **-BH**.

★ Complete Code•Master LED luminaire consists of fixture unit and a mounting hood. For Group B applications a Group B rated mounting hood must be used.

* Use of a fuse voids Marine Outside Type (Salt Water) rating.



◆ Shaded items are suitable for Class I, Group D ONLY.

Code•Master™ LED Factory Sealed Luminaires

Explosionproof, Dust-Ignitionproof

NEC/CEC:
 Class I, Division 1 and 2, Groups B, C, D ★
 Class I, Zone 1, Group IIB + H₂
 Class II, Division 1, Group E, F, G
 Class II, Division 2, Group F, G
 Class III

NEC/CEC:
 Simultaneous Exposure
 Type 3R, 4X
 IP66/67
 Suitable for Use in Wet Locations
 Marine Outside Type (Salt Water) *

	LED Wattage	Lamp Wattage Equivalent	Hub Size	Catalog Number	
				Clear Glass ①②③	Diffused Glass ①②③
Wall — Four Hubs, Three Close-up Plugs — 50/60 Hz					
	35/33 W	70 W HPS/PSMH	3/4	CMLEDW702G5	CMLEDW702D5
	47.5/46 W	100 W HPS/PSMH	3/4	CMLEDW102G5	CMLEDW102D5
	61/62 W	150 W HPS/PSMH	3/4	CMLEDW152G5	CMLEDW152D5
	74/72 W	175 W PSMH	3/4	CMLEDW172G5	CMLEDW172D5
	95.5/92 W	250 W HPS/MH	3/4	CMLEDW252G5	CMLEDW252D5
	102/103 W	350 W PSMH	3/4	CMLEDW352G5	CMLEDW352D5
	127/128 W	400 W HPS/PSMH	3/4	CMLEDW402G5	CMLEDW402D5
	35/33 W	70 W HPS/PSMH	1	CMLEDW703G5	CMLEDW703D5
	47.5/46 W	100 W HPS/PSMH	1	CMLEDW103G5	CMLEDW103D5
	61/62 W	150 W HPS/PSMH	1	CMLEDW153G5	CMLEDW153D5
	74/72 W	175 W PSMH	1	CMLEDW173G5	CMLEDW173D5
	95.5/92 W	250 W HPS/MH	1	CMLEDW253G5	CMLEDW253D5
	102/103 W	350 W PSMH	1	CMLEDW353G5	CMLEDW353D5
	127/128 W	400 W HPS/PSMH	1	CMLEDW403G5	CMLEDW403D5
25° Stanchion — One Hub — 50/60 Hz					
	35/33 W	70 W HPS/PSMH	1-1/4	CMLEDS704G5	CMLEDS704D5
	47.5/46 W	100 W HPS/PSMH	1-1/4	CMLEDS104G5	CMLEDS104D5
	61/62 W	150 W HPS/PSMH	1-1/4	CMLEDS154G5	CMLEDS154D5
	74/72 W	175 W PSMH	1-1/4	CMLEDS174G5	CMLEDS174D5
	95.5/92 W	250 W HPS/MH	1-1/4	CMLEDS254G5	CMLEDS254D5
	102/103 W	350 W PSMH	1-1/4	CMLEDS354G5	CMLEDS354D5
	127/128 W	400 W HPS/PSMH	1-1/4	CMLEDS404G5	CMLEDS404D5
	35/33 W	70 W HPS/PSMH	1-1/2	CMLEDS705G5	CMLEDS705D5
	47.5/46 W	100 W HPS/PSMH	1-1/2	CMLEDS105G5	CMLEDS105D5
	61/62 W	150 W HPS/PSMH	1-1/2	CMLEDS155G5	CMLEDS155D5
	74/72 W	175 W PSMH	1-1/2	CMLEDS175G5	CMLEDS175D5
	95.5/92 W	250 W HPS/MH	1-1/2	CMLEDS255G5	CMLEDS255D5
	102/103 W	350 W PSMH	1-1/2	CMLEDS355G5	CMLEDS355D5
	127/128 W	400 W HPS/PSMH	1-1/2	CMLEDS405G5	CMLEDS405D5

① For optional fusing, add suffix **-F** to the end of the catalog number. The Canadian Electrical Code does NOT allow fusing in hazardous locations. Fuse not CEC rated.

② For optional safety cable, add suffix **-C** to the end of the catalog number.
 For optional lens guard, add suffix **-G** to the end of the catalog number.

③ For 120-277 Vac, add suffix **-BU**; For 347-480 Vac add suffix **-BH**.

★ Complete Code•Master LED luminaire consists of fixture unit and a mounting hood. For Group B applications a Group B rated mounting hood must be used.

* Use of a fuse voids Marine Outside Type (Salt Water) rating.

◆ Shaded items are suitable for Class I, Group D ONLY.

Code•Master™ LED Factory Sealed Luminaires

Explosionproof, Dust-Ignitionproof

NEC/CEC:
 Class I, Division 1 and 2, Groups B, C, D ★
 Class I, Zone 1, Group IIB + H₂
 Class II, Division 1, Group E, F, G
 Class II, Division 2, Group F, G
 Class III

NEC/CEC:
 Simultaneous Exposure
 Type 3R, 4X
 IP66/67
 Suitable for Use in Wet Locations
 Marine Outside Type (Salt Water) *

Fixture Unit — Electrical Specification



LED Wattage BU/BH	Light Level Equivalent	Voltage Range	Current Draw	Catalog Number		Voltage Suffix
				Glass Globe	Diffused Glass	
35/33 W	70 W HPS	120-277 Vac, 50/60 Hz	120 Vac @ .31 Amps 277 Vac @ .17 Amps	CMLED70G5	CMLED70D5	BU
34/32 W	70 W HPS	347-480 Vac, 50/60 Hz	347 Vac @ .32 Amps 480 Vac @ .23 Amps	CMLED70G5	CMLED70D5	BH
47.5/46 W	100 W HPS	120-277 Vac, 50/60 Hz	120 Vac @ .41 Amps 277 Vac @ .20 Amps	CMLED10G5	CMLED10D5	BU
42/44 W	100 W HPS	347-480 Vac, 50/60 Hz	347 Vac @ .32 Amps 480 Vac @ .23 Amps	CMLED10G5	CMLED10D5	BH
61/62 W	150 W HPS	120-277 Vac, 50/60 Hz	120 Vac @ .53 Amps 277 Vac @ .25 Amps	CMLED15G5	CMLED15D5	BU
62/64 W	150 W HPS	347-480 Vac, 50/60 Hz	347 Vac @ .32 Amps 480 Vac @ .25 Amps	CMLED15G5	CMLED15D5	BH
74/72 W	175 W PSMH	120-277 Vac, 50/60 Hz	120 Vac @ .63 Amps 277 Vac @ .28 Amps	CMLED17G5	CMLED17D5	BU
86/88 W	175 W PSMH	347-480 Vac, 50/60 Hz	347 Vac @ .32 Amps 480 Vac @ .23 Amps	CMLED17G5	CMLED17D5	BH
95.5/92 W	250 W HPS/PSMH	120-277 Vac, 50/60 Hz	120 Vac @ .90 Amps 277 Vac @ .36 Amps	CMLED25G5	CMLED25D5	BU
96/95 W	250 W HPS/PSMH	347-480 Vac, 50/60 Hz	347 Vac @ .32 Amps 480 Vac @ .23 Amps	CMLED25G5	CMLED25D5	BH
102/103 W	350 W PSMH	347-480 Vac, 50/60 Hz	347 Vac @ .33 Amps 480 Vac @ .23 Amps	CMLED35G5	CMLED35D5	BH
127/128 W	400 W HPS/PSMH	120-277 Vac, 50/60 Hz	120 Vac @ 1.18 Amps 277 Vac @ .47 Amps	CMLED40G5	CMLED40D5	BU







★ Complete Code•Master LED luminaire consists of fixture unit and a mounting hood. For Group B applications a Group B rated mounting hood must be used.
 * Use of a fuse voids Marine Outside Type (Salt Water) rating.

Code•Master™ LED Factory Sealed Luminaires

Explosionproof, Dust-Ignitionproof

NEC/CEC:
 Class I, Division 1 and 2, Groups B, C, D ★
 Class I, Zone 1, Group IIB + H₂
 Class II, Division 1, Group E, F, G
 Class II, Division 2, Group F, G
 Class III

NEC/CEC:
 Simultaneous Exposure
 Type 3R, 4X
 IP66/67
 Suitable for Use in Wet Locations
 Marine Outside Type (Salt Water) *

Mounting Hoods		Certified for Class I, Division 1 and 2, Group				
		Hub Size Inches	cCSA Certified	cCSAus Certified	Catalog Number	
Pendant						
 CAP-75 & CAP-100	 CAP-75B	One Hub	3/4	B, C, D	C, D	CAP-75
			3/4	B, C, D	B, C, D	CAP-75B
			1	D	D	CAP-100
Ceiling						
	Four hubs, Three Close-Up Plugs	3/4	C, D	C, D	CAC-75	
		1	D	D	CAC-100	
Bracket						
	Four hubs, Three Close-Up Plugs	3/4	C, D	C, D	CALB-75	
		1	D	D	CALB-100	
25° Stanchion						
 CAS-150	 CAS-150B	One Hub	1-1/4 or 1-1/2 ①	B, C, D	C, D	CAS-150
			1-1/2	B, C, D	B, C, D	CAS-150B

① 1-1/2" tapped hub furnished with 1-1/2" to 1-1/4" reducer.

★ Complete Code•Master LED luminaire consists of fixture unit and a mounting hood. For Group B applications a Group B rated mounting hood must be used.

* Use of a fuse voids Marine Outside Type (Salt Water) rating.

◆ Shaded items are suitable for Class I, Group D ONLY.

LED/AREA: NEC/CEC EXPLOSIONPROOF/ATEX/IECEx FLAMEPROOF

Appleton®

Code•Master™ LED Factory Sealed Luminaires

Explosionproof, Dust-Ignitionproof




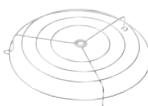


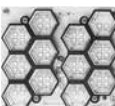

NEC/CEC:
 Class I, Division 1 and 2, Groups B, C, D ★
 Class I, Zone 1, Group IIB + H₂
 Class II, Division 1, Group E, F, G
 Class II, Division 2, Group F, G
 Class III

NEC/CEC:
 Simultaneous Exposure
 Type 3R, 4X
 IP66/67
 Suitable for Use in Wet Locations
 Marine Outside Type (Salt Water) *

LED/AREA: NEC/CEC EXPLOSIONPROOF/ATEX/IECEx FLAMEPROOF

Appleton®

Accessories and Replacement Parts

	Description	Catalog Number
Fuse Kits *		
	3 Amp for 120-277 Vac, 70 thru 250 Watt Equivalent	CMLEDF-3
	5 Amp for 120-277 Vac, 400 Watt Equivalent	CMLEDF-5
	2 Amp for 347-480 Vac, 70 thru 350 Watt Equivalent	CMLEDF-2
Globes and Gaskets		
	Clear Globe Assembly	CGL-CLEAR
	Diffused Globe Assembly	CGL-DIFF
	Stainless Steel Wire Guard	CMLEDGU
	Safety Cable	CMLEDSC
	Yoke Bracket	CMLEDYOKE
LED Array		
	70 Watt Equivalent LED Array Assembly, Type V, White LED's	CMLED70A5W
	100 Watt Equivalent LED Array Assembly, Type V, White LED's	CMLED10A5W
	150 Watt Equivalent LED Array Assembly, Type V, White LED's	CMLED15A5W
	175 Watt Equivalent LED Array Assembly, Type V, White LED's	CMLED17A5W
	250 Watt Equivalent LED Array Assembly, Type V, White LED's	CMLED25A5W
	350 Watt Equivalent LED Array Assembly, Type V, White LED's	CMLED35A5W
	400 Watt Equivalent LED Array Assembly, Type V, White LED's	CMLED40A5W
Drivers		
	120-277 V Driver (70 thru 250 Watt equivalent only)	CMLEDBU
	347-480 V Driver (70 thru 350 Watt equivalent only)	CMLEDBH
	120-277 V Driver (400 Watt equivalent only)	CMLEDBU40

★ Complete Code•Master LED luminaire consists of fixture unit and a mounting hood. For Group B applications a Group B rated mounting hood must be used.
 * Use of a fuse voids Marine Outside Type (Salt Water) rating.
 The Canadian Electrical Code does NOT allow fusing in hazardous locations. Fuse not CEC rated.

Code•Master™ LED Factory Sealed Luminaires

Explosionproof, Dust-Ignitionproof

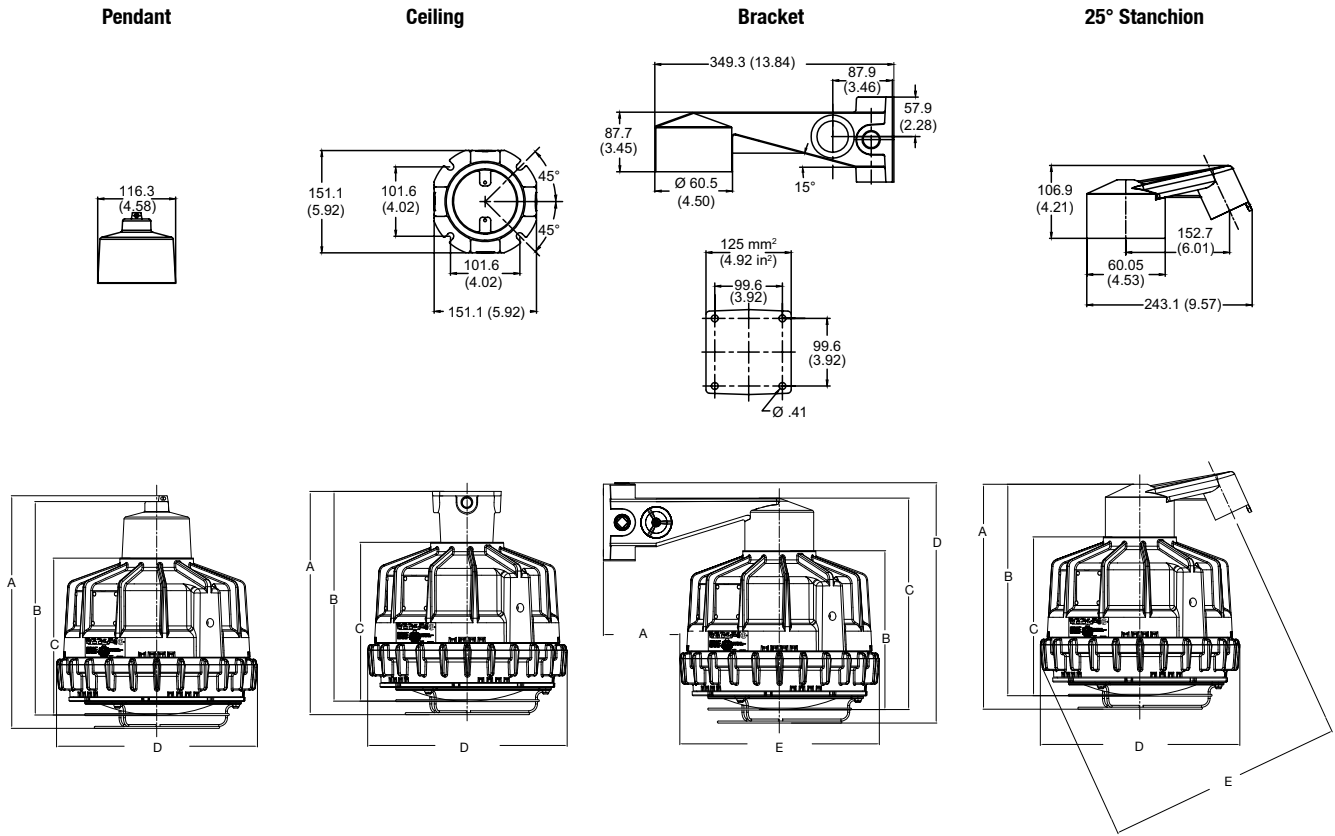
NEC/CEC:

Class I, Division 1 and 2, Groups B, C, D ★
 Class I, Zone 1, Group IIB + H₂
 Class II, Division 1, Group E, F, G
 Class II, Division 2, Group F, G
 Class III

NEC/CEC:

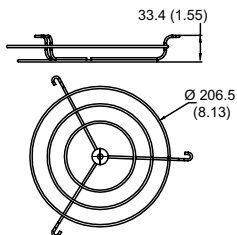
Simultaneous Exposure
 Type 3R, 4X
 IP66/67
 Suitable for Use in Wet Locations
 Marine Outside Type (Salt Water) *

Dimensions in Millimeters (Inches)



Pendant				Ceiling				Bracket					25° Stanchion				
A	B	C	D	A	B	C	D	A	B	C	D	E	A	B	C	D	E
384.0	352.0	259.0	331.0	364.0	342.0	259.0	331.0	127.0	259.0	344.0	391.0	331.0	366.0	344.0	259.0	331.0	392.0
(15.1)	(13.9)	(10.2)	(13.0)	(14.3)	(13.5)	(10.2)	(13.0)	(5.0)	(10.2)	(13.6)	(15.4)	(13.0)	(14.4)	(13.6)	(10.2)	(13.0)	(15.4)

Wire Guard



Weights

Description	Weight kg (lb)
Fixture Unit (Ballast Housing)	17.2 (38)
Pendant Mounting Hood	0.9 (2)
Ceiling Mounting Hood	1.8 (4)
Wall Mounting Hood	2.7 (6)
25° Stanchion Mounting Hood	0.9 (2)
Wire Guard	0.45 (1)

★ Complete Code•Master LED luminaire consists of fixture unit and a mounting hood. For Group B applications a Group B rated mounting hood must be used.
 * Use of a fuse voids Marine Outside Type (Salt Water) rating.

Code•Master™ LED Factory Sealed Luminaires

Explosionproof, Dust-Ignitionproof

NEC/CEC:
 Class I, Division 1 and 2, Groups B, C, D ★
 Class I, Zone 1, Group IIB + H₂
 Class II, Division 1, Group E, F, G
 Class II, Division 2, Group F, G
 Class III

NEC/CEC:
 Simultaneous Exposure
 Type 3R, 4X
 IP66/67
 Suitable for Use in Wet Locations
 Marine Outside Type (Salt Water) *

Photometric Data — DATA SHOWN IS ABSOLUTE

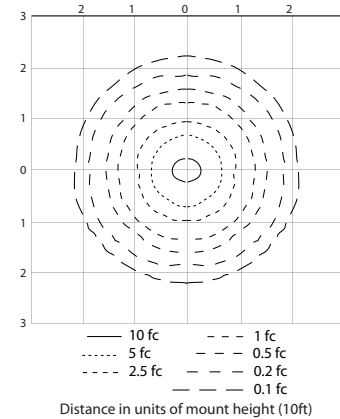
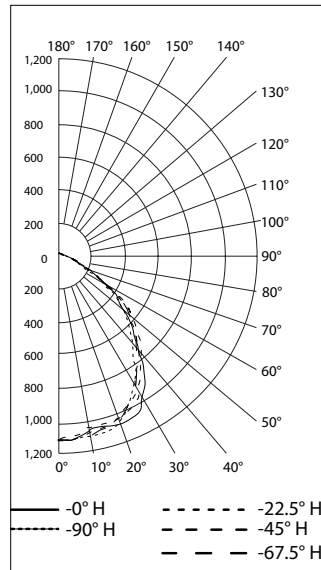
CMLED70G5BU with Clear Polycarbonate Lens

Polar Candela Distribution

Isoillumination Plot

Zonal Lumens and Percentages at 25°C

Zone	Lumens	% Luminaire	Zone	Lumens	% Luminaire
0-30	873.8	36.3	0-10	105.1	4.4
0-40	1396	58.1	10-20	304.6	12.7
0-60	2237	93.0	20-30	464.1	19.3
60-90	167.3	7.0	30-40	522.3	21.7
0-90	2094	100.0	40-50	486.8	20.2
90-180	0.1	0.0	50-60	354.1	14.7
0-180	2404	100.0	60-70	143.3	6.0
			70-80	21.2	0.9
			80-90	2.8	0.1
			90-100	0.1	0.0



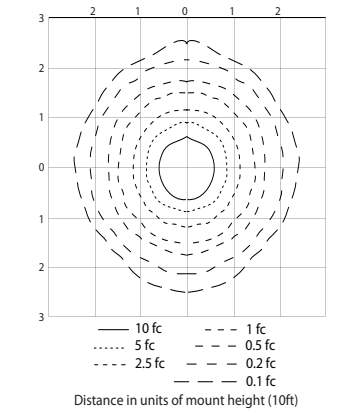
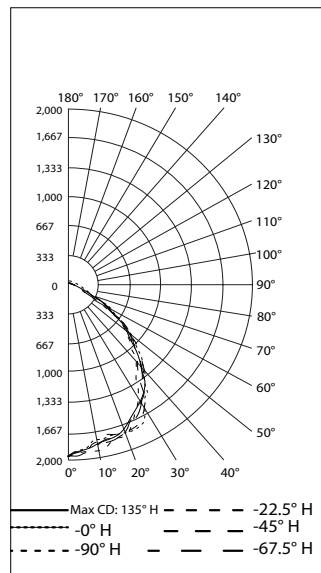
CMLED10G5BU with Clear Polycarbonate Lens

Polar Candela Distribution

Isoillumination Plot

Zonal Lumens and Percentages at 25°C

Zone	Lumens	% Luminaire	Zone	Lumens	% Luminaire
0-30	1,493.8	36.8	0-10	180.8	4.5
0-40	2,385.9	58.8	10-20	516.8	12.7
0-60	3,790.0	93.4	20-30	796.1	19.6
60-90	269.0	6.6	30-40	892.1	22.0
70-100	32.8	0.8	40-50	823.0	20.3
90-120	0	0	50-60	581.1	14.3
0-90	4,059.1	100	60-70	236.2	5.8
90-180	0	0	70-80	30.7	0.8
0-180	4,059.1	100	80-90	2.1	0.1



★ Complete Code•Master LED luminaire consists of fixture unit and a mounting hood. For Group B applications a Group B rated mounting hood must be used.
 * Use of a fuse voids Marine Outside Type (Salt Water) rating.

Code•Master™ LED Factory Sealed Luminaires

Explosionproof, Dust-Ignitionproof

NEC/CEC:

Class I, Division 1 and 2, Groups B, C, D ★
 Class I, Zone 1, Group IIB + H₂
 Class II, Division 1, Group E, F, G
 Class II, Division 2, Group F, G
 Class III

NEC/CEC:

Simultaneous Exposure
 Type 3R, 4X
 IP66/67
 Suitable for Use in Wet Locations
 Marine Outside Type (Salt Water) *

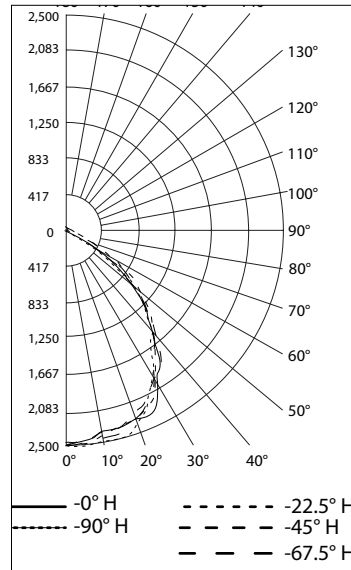
Photometric Data — DATA SHOWN IS ABSOLUTE

CMLED15G5BU with Clear Polycarbonate Lens

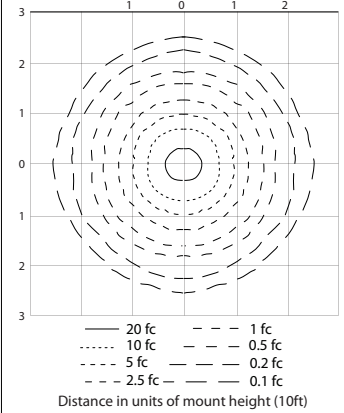
Zonal Lumens and Percentages at 25°C

Zone	Lumens	% Luminaire	Zone	Lumens	% Luminaire
0-30	1,919.1	36.8	0-10	231.3	4.4
0-40	3,060.2	58.7	10-20	669.8	12.8
0-60	4,874.4	93.5	20-30	1,018.0	19.5
60-90	340.1	6.5	30-40	1,141.1	21.9
70-100	39.6	0.8	40-50	1,059.6	20.3
90-120	0	0	50-60	754.7	14.5
0-90	5,214.6	100	60-70	300.6	5.8
90-180	0	0.0	70-80	36.2	0.7
0-180	5,214.6	100	80-90	3.4	0.1

Polar Candela Distribution



Isoillumination Plot

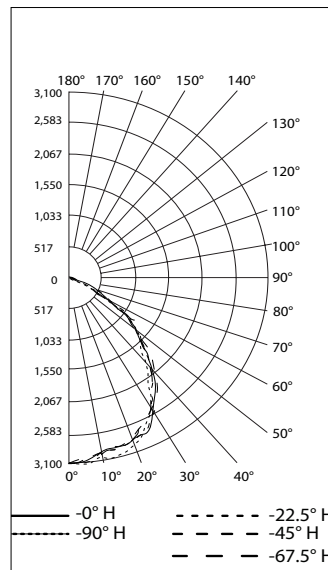


CMLED17G5BU with Clear Polycarbonate Lens

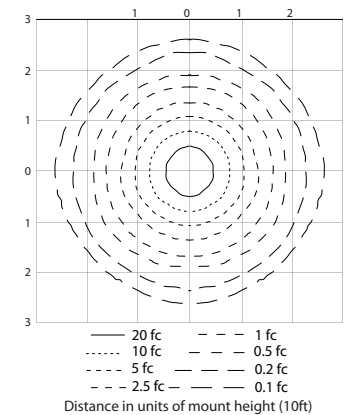
Zonal Lumens and Percentages at 25°C

Zone	Lumens	% Luminaire	Zone	Lumens	% Luminaire
0-30	2,377.5	36.6	0-10	286.8	4.4
0-40	3,802.2	58.5	10-20	825.9	12.7
0-60	6,057.1	93.2	20-30	1,264.7	19.5
60-90	439.6	6.8	30-40	1,424.8	21.9
70-100	53.6	0.8	40-50	1,314.0	20.2
90-120	0.0	0.0	50-60	940.8	14.5
0-90	6,496.7	100	60-70	386.0	5.9
90-180	0.0	0.0	70-80	49.6	0.8
0-180	6,496.7	100	80-90	4.0	0.1

Polar Candela Distribution



Isoillumination Plot



★ Complete Code•Master LED luminaire consists of fixture unit and a mounting hood. For Group B applications a Group B rated mounting hood must be used.
 * Use of a fuse voids Marine Outside Type (Salt Water) rating.

Code•Master™ LED Factory Sealed Luminaires

Explosionproof, Dust-Ignitionproof

NEC/CEC:

Class I, Division 1 and 2, Groups B, C, D ★
 Class I, Zone 1, Group IIB + H₂
 Class II, Division 1, Group E, F, G
 Class II, Division 2, Group F, G
 Class III

NEC/CEC:

Simultaneous Exposure
 Type 3R, 4X
 IP66/67
 Suitable for Use in Wet Locations
 Marine Outside Type (Salt Water) *

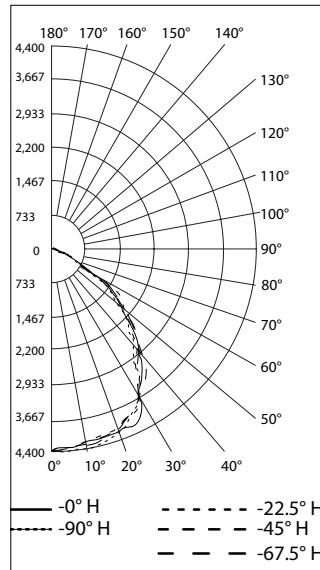
Photometric Data — DATA tSHOWN IS ABSOLUTE

CMLED25G5BU with Clear Polycarbonate Lens

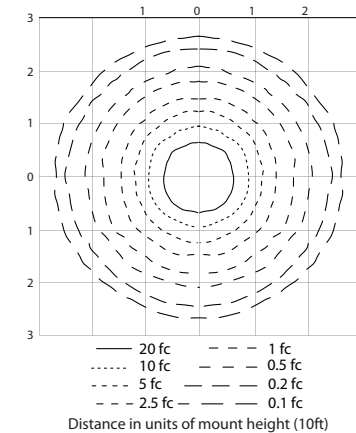
Zonal Lumens and Percentages at 25°C

Zone	Lumens	% Luminaire	Zone	Lumens	% Luminaire
0-30	3,416.8	36.6	0-10	409.2	4.4
0-40	5,464.9	58.5	10-20	1,186.5	12.7
0-60	8,717.4	93.3	20-30	1,821.1	19.5
60-90	630.4	6.7	30-40	2,048.1	21.9
70-100	70.0	0.7	40-50	1,885.6	20.2
90-120	0.0	0.0	50-60	1,367.0	14.6
0-90	9,347.9	100.0	60-70	560.4	6.0
90-180	0.0	0.0	70-80	65.2	0.7
0-180	9,347.9	100.0	80-90	4.8	0.1

Polar Candela Distribution



Isoillumination Plot

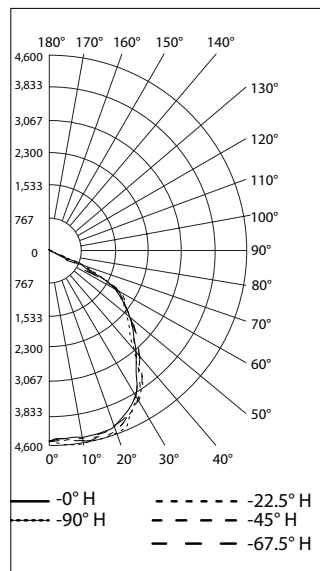


CMLED35G5BU with Clear Polycarbonate Lens

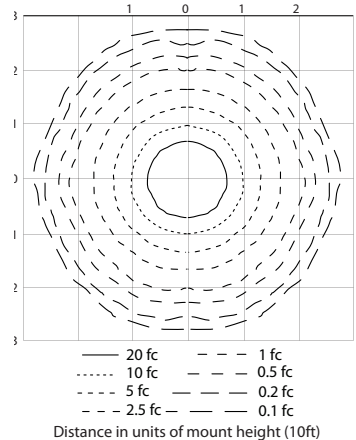
Zonal Lumens and Percentages at 25°C

Zone	Lumens	% Luminaire	Zone	Lumens	% Luminaire
0-30	3,665.9	32.7	0-10	423.4	3.8
0-40	5,963.9	53.1	10-20	1,263.4	11.3
0-60	10,090.2	89.9	20-30	1,979.2	17.6
60-90	1,113.3	9.9	30-40	2,298.0	20.5
70-100	105.2	0.9	40-50	2,188.1	19.5
90-120	6.5	0.1	50-60	1,938.2	17.3
0-90	11,203.5	99.8	60-70	1,011.3	9.0
90-180	20.1	0.2	70-80	85.8	0.8
0-180	11,223.5	100	80-90	16.1	0.1

Polar Candela Distribution



Isoillumination Plot



★ Complete Code•Master LED luminaire consists of fixture unit and a mounting hood. For Group B applications a Group B rated mounting hood must be used.

* Use of a fuse voids Marine Outside Type (Salt Water) rating.

Code•Master™ LED Factory Sealed Luminaires

Explosionproof, Dust-Ignitionproof

NEC/CEC:

Class I, Division 1 and 2, Groups B, C, D ★
 Class I, Zone 1, Group IIB + H₂
 Class II, Division 1, Group E, F, G
 Class II, Division 2, Group F, G
 Class III

NEC/CEC:

Simultaneous Exposure
 Type 3R, 4X
 IP66/67
 Suitable for Use in Wet Locations
 Marine Outside Type (Salt Water) *

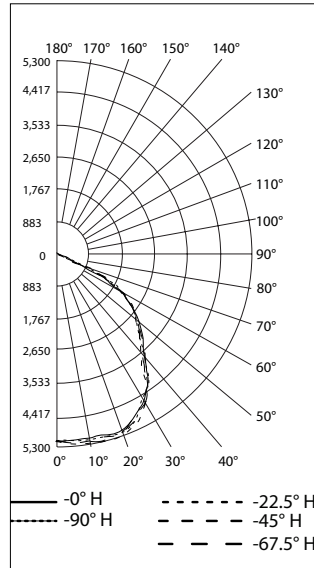
Photometric Data — DATA SHOWN IS ABSOLUTE

CMLED40G5BU with Clear Polycarbonate Lens

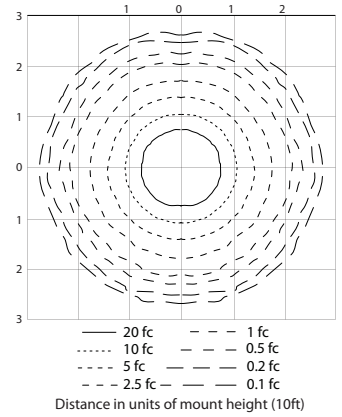
Zonal Lumens and Percentages at 25°C

Zone	Lumens	% Luminaire	Zone	Lumens	% Luminaire
0-30	4,220.8	33.0	0-10	487.5	3.8
0-40	6,854.3	53.6	10-20	1,454.8	11.4
0-60	11,576.6	90.4	20-30	2,278.5	17.8
60-90	1,199.4	9.4	30-40	2,633.5	20.6
70-100	110.0	0.9	40-50	2,499.8	19.5
90-120	7.7	0.1	50-60	2,222.5	17.4
0-90	12,776.0	99.8	60-70	1,093.5	8.5
90-180	23.3	0.2	70-80	87.8	0.7
0-180	12,799.3	100.0	80-90	18.1	0.1

Polar Candela Distribution



Isoillumination Plot



Appleton®

LED/AREA: NEC/CEC, ATEX/IECEx ENCLOSED AND GASKETED

★ Complete Code•Master LED luminaire consists of fixture unit and a mounting hood. For Group B applications a Group B rated mounting hood must be used.
 * Use of a fuse voids Marine Outside Type (Salt Water) rating.

Code•Master™ LED Factory Sealed Luminaires

Explosionproof, Dust-Ignitionproof

NEC/CEC:

Class I, Division 1 and 2, Groups B, C, D ★
 Class I, Zone 1, Group IIB + H₂
 Class II, Division 1, Group E, F, G
 Class II, Division 2, Group F, G
 Class III

NEC/CEC:

Simultaneous Exposure
 Type 3R, 4X
 IP66/67
 Suitable for Use in Wet Locations
 Marine Outside Type (Salt Water) *

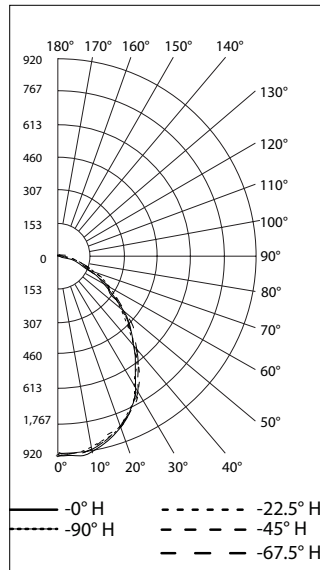
Photometric Data — DATA SHOWN IS ABSOLUTE

CMLED70D5BU with Diffused Polycarbonate Lens

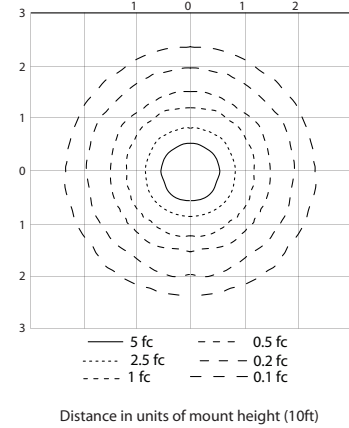
Zonal Lumens and Percentages at 25°C

Zone	Lumens	% Luminaire	Zone	Lumens	% Luminaire
0-30	687.2	33.1	0-10	85.9	4.1
0-40	1,088.2	52.4	10-20	243.5	11.7
0-60	1,745.1	84.0	20-30	357.8	17.2
60-90	324.7	15.6	30-40	401.0	19.3
70-100	146.6	7.1	40-50	369.8	17.8
90-120	7.4	0.4	50-60	287.1	13.8
0-90	2,069.8	99.6	60-70	185.5	8.9
90-180	7.4	0.4	70-80	99.2	4.8
0-180	2,077.2	100.0	80-90	40.0	1.9
			90-100	0.3	0.0

Polar Candela Distribution



Isoillumination Plot

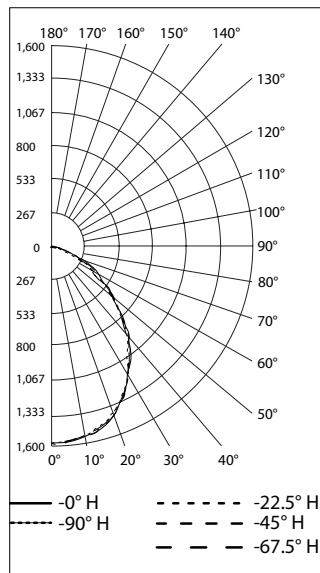


CMLED10D5BU with Diffused Polycarbonate Lens

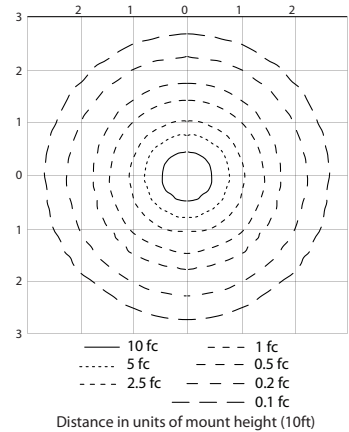
Zonal Lumens and Percentages at 25°C

Zone	Lumens	% Luminaire	Zone	Lumens	% Luminaire
0-30	1,166.5	33.4	0-10	146.0	4.2
0-40	1,845.0	52.7	10-20	413.1	11.8
0-60	2,943.8	84.2	20-30	607.4	17.4
60-90	541.2	15.5	30-40	678.5	19.4
70-100	245.1	7.0	40-50	620.6	17.7
90-120	12.6	0.4	50-60	478.2	13.7
0-90	3,484.9	99.6	60-70	308.7	8.8
90-180	12.6	0.4	70-80	165.5	4.7
0-180	3,497.6	100.0	80-90	67.0	1.9

Polar Candela Distribution



Isoillumination Plot



★ Complete Code•Master LED luminaire consists of fixture unit and a mounting hood. For Group B applications a Group B rated mounting hood must be used.
 * Use of a fuse voids Marine Outside Type (Salt Water) rating.

Code•Master™ LED Factory Sealed Luminaires

Explosionproof, Dust-Ignitionproof

NEC/CEC:

Class I, Division 1 and 2, Groups B, C, D ★
 Class I, Zone 1, Group IIB + H₂
 Class II, Division 1, Group E, F, G
 Class II, Division 2, Group F, G
 Class III

NEC/CEC:

Simultaneous Exposure
 Type 3R, 4X
 IP66/67
 Suitable for Use in Wet Locations
 Marine Outside Type (Salt Water) *

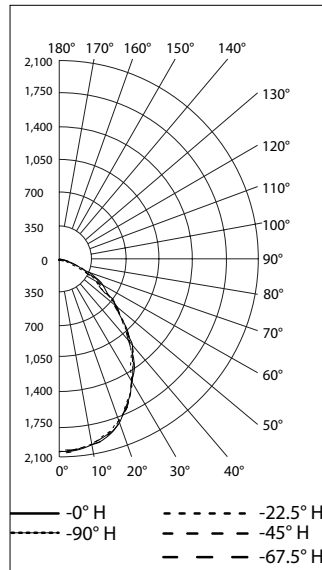
Photometric Data — DATA SHOWN IS ABSOLUTE

CMLED15D5BU with Diffused Polycarbonate Lens

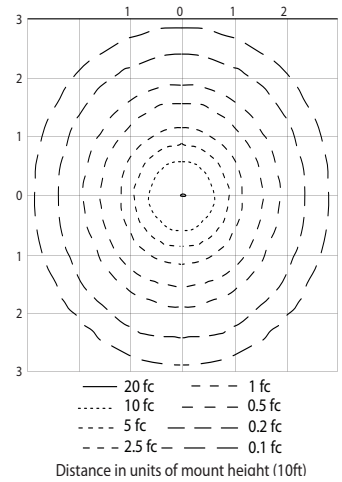
Zonal Lumens and Percentages at 25°C

Zone	Lumens	% Luminaire	Zone	Lumens	% Luminaire
0-30	1,501.7	33.4	0-10	188.4	4.2
0-40	2,371.2	52.7	10-20	533.1	11.9
0-60	3,784.8	84.2	20-30	780.2	17.4
60-90	694.8	15.5	30-40	869.4	19.3
70-100	314.1	7.0	40-50	797.8	17.7
90-120	16.1	0.4	50-60	615.9	13.7
0-90	4,479.6	99.6	60-70	396.7	8.8
90-180	16.1	0.4	70-80	212.2	4.7
0-180	4,495.7	100.0	80-90	85.8	1.9
			90-100	16.1	0.4

Polar Candela Distribution



Isoillumination Plot

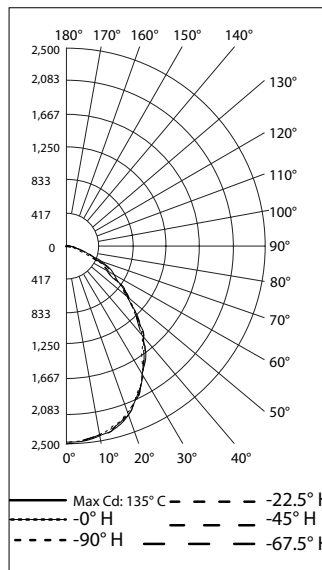


CMLED17D5BU with Diffused Polycarbonate Lens

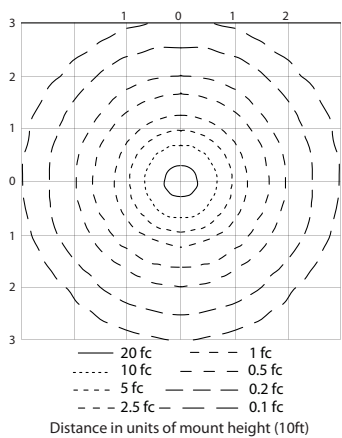
Zonal Lumens and Percentages at 25°C

Zone	Lumens	% Luminaire	Zone	Lumens	% Luminaire
0-30	1,849.4	33.3	0-10	231.7	4.2
0-40	2,923.4	52.7	10-20	655.9	11.8
0-60	4,669.5	84.2	20-30	961.8	17.3
60-90	857.2	15.5	30-40	1,074.1	19.4
70-100	386.7	7.0	40-50	985.3	17.8
90-120	19.5	0.4	50-60	760.8	13.7
0-90	5,526.7	99.6	60-70	489.9	8.8
90-180	19.5	0.4	70-80	261.8	4.7
0-180	5,546.2	100.0	80-90	105.5	1.9
			90-100	19.5	0.4

Polar Candela Distribution



Isoillumination Plot



★ Complete Code•Master LED luminaire consists of fixture unit and a mounting hood. For Group B applications a Group B rated mounting hood must be used.
 * Use of a fuse voids Marine Outside Type (Salt Water) rating.

Code•Master™ LED Factory Sealed Luminaires

Explosionproof, Dust-Ignitionproof

NEC/CEC:

Class I, Division 1 and 2, Groups B, C, D ★
 Class I, Zone 1, Group IIB + H₂
 Class II, Division 1, Group E, F, G
 Class II, Division 2, Group F, G
 Class III

NEC/CEC:

Simultaneous Exposure
 Type 3R, 4X
 IP66/67
 Suitable for Use in Wet Locations
 Marine Outside Type (Salt Water) *

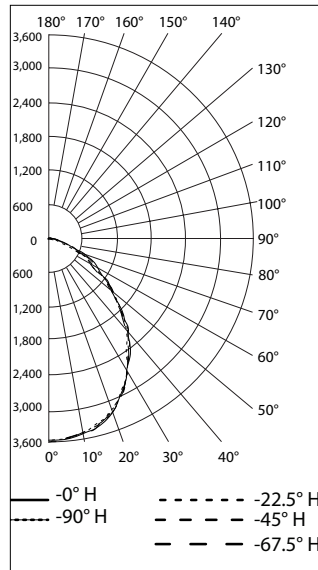
Photometric Data — DATA SHOWN IS ABSOLUTE

CMLED25D5BU with Diffused Polycarbonate Lens

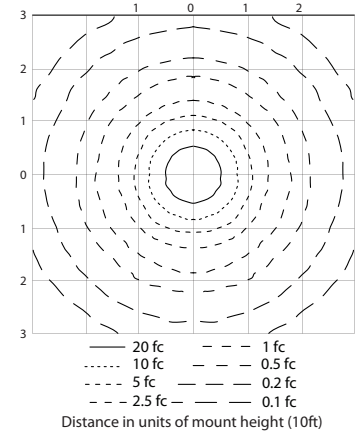
Zonal Lumens and Percentages at 25°C

Zone	Lumens	% Luminaire	Zone	Lumens	% Luminaire
0-30	2,676.1	33.2	0-10	334.4	4.2
0-40	4,229.8	52.5	10-20	948.9	11.8
0-60	6,771.0	84.0	20-30	1,392.8	17.3
60-90	1,257.5	15.6	30-40	1,553.7	19.3
70-100	566.0	7.0	40-50	1,429.2	17.7
90-120	28.5	0.4	50-60	1,112.0	13.8
0-90	8,028.5	99.6	60-70	720.1	8.9
90-180	28.5	0.4	70-80	383.4	4.8
0-180	8,057.1	100	80-90	154.1	1.9
			90-100	90-100	0.4

Polar Candela Distribution



Isoillumination Plot

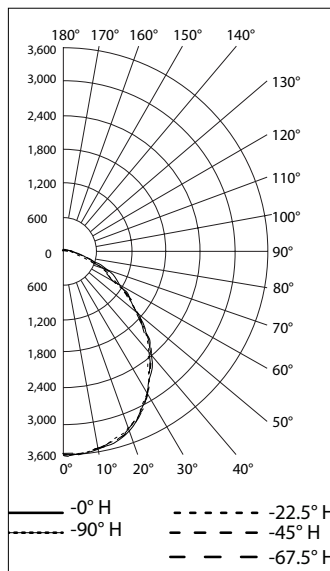


CMLED35D5BU with Diffused Polycarbonate Lens

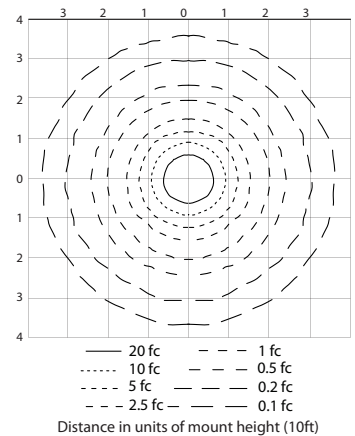
Zonal Lumens and Percentages at 25°C

Zone	Lumens	% Luminaire	Zone	Lumens	% Luminaire
0-30	3,010.9	30.7	0-10	367.1	3.7%
0-40	4,828.0	49.3%	10-20	1,057.3	10.8%
0-60	8,012.7	81.8%	20-30	1,586.4	16.2%
60-90	1,745.8	17.8%	30-40	1,817.2	18.5%
70-100	789.5	8.1%	40-50	1,738.8	17.7%
70-100	39.0	0.4%	50-60	1,445.9	14.8%
0-90	9,758.5	99.6%	60-70	995.2	10.2%
90-180	39.0	0.4%	70-80	537.6	5.5%
0-180	9,797.5	100%	80-90	212.9	2.2%
			90-100	39.0	0.4%

Polar Candela Distribution



Isoillumination Plot



★ Complete Code•Master LED luminaire consists of fixture unit and a mounting hood. For Group B applications a Group B rated mounting hood must be used.
 * Use of a fuse voids Marine Outside Type (Salt Water) rating.

Code•Master™ LED Factory Sealed Luminaires

Explosionproof, Dust-Ignitionproof

NEC/CEC:

Class I, Division 1 and 2, Groups B, C, D ★
 Class I, Zone 1, Group IIB + H₂
 Class II, Division 1, Group E, F, G
 Class II, Division 2, Group F, G
 Class III

NEC/CEC:

Simultaneous Exposure
 Type 3R, 4X
 IP66/67
 Suitable for Use in Wet Locations
 Marine Outside Type (Salt Water) *

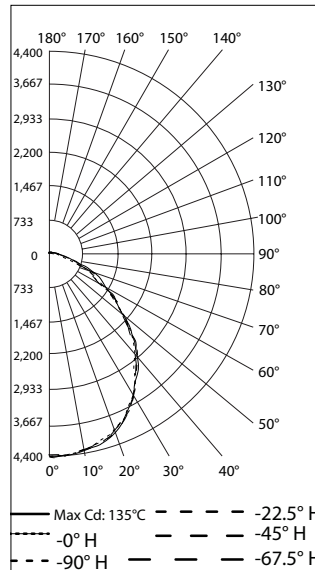
Photometric Data — DATA SHOWN IS ABSOLUTE

CMLED40D5BU with Diffused Polycarbonate Lens

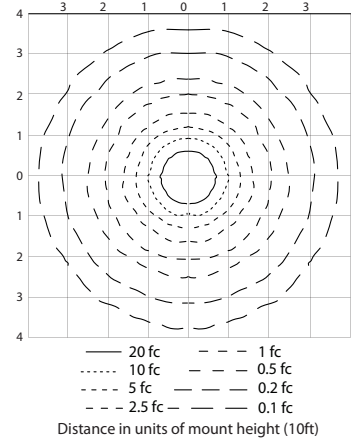
Zonal Lumens and Percentages at 25°C

Zone	Lumens	% Luminaire	Zone	Lumens	% Luminaire
0-30	3,368.3	31	0-10	412.4	3.8
0-40	5,387.0	49.6	10-20	1,185.0	10.9
0-60	8,890.5	81.9	20-30	1,771.0	16.3
60-90	1,920.2	17.7	30-40	2,018.7	18.6
70-100	874.5	8.1	40-50	1,918.8	17.7
90-120	44.0	0.4	50-60	1,584.6	14.6
0-90	10,810.7	99.6	60-70	1,089.6	10.0
90-180	44.0	0.4	70-80	593.1	5.5
0-180	10,854.6	100	80-90	237.5	2.2
			90-100	44.0	44.0

Polar Candela Distribution



Isoillumination Plot



Appleton®

LED/AREA: NEC/CEC, ATEX/IECEx ENCLOSED AND GASKETED

★ Complete Code•Master LED luminaire consists of fixture unit and a mounting hood. For Group B applications a Group B rated mounting hood must be used.
 * Use of a fuse voids Marine Outside Type (Salt Water) rating.