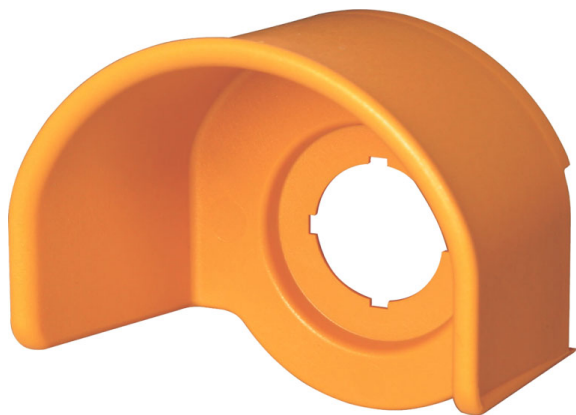


Type: **M22-XGPV**

Article No.: **231273**

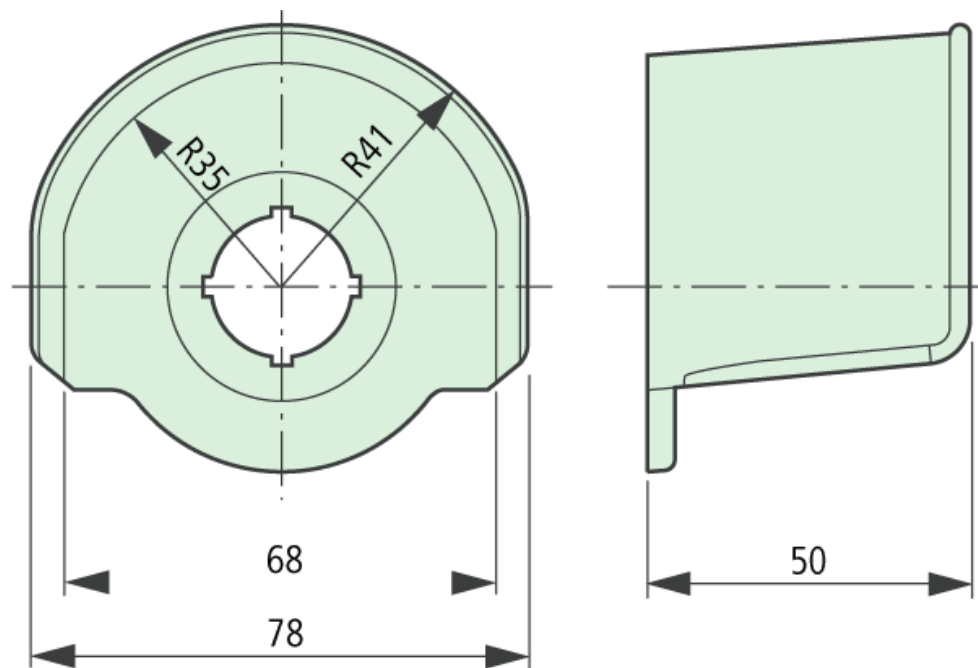
Sales text **Emergency-Stop protective collar**



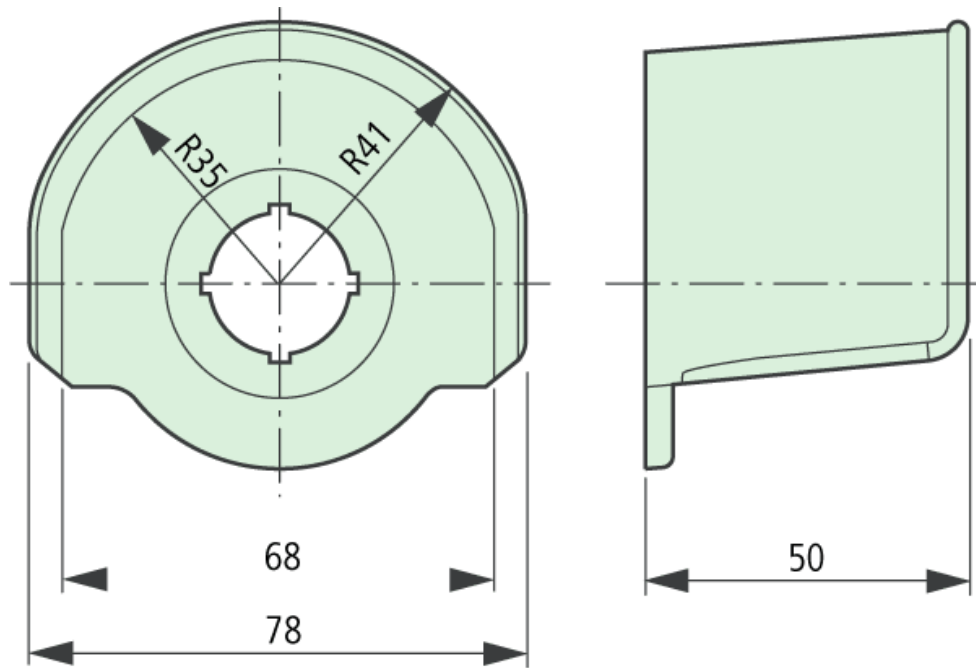
Engineering

---

### Dimensions



### Dimensions



---

Moeller GmbH, Hein-Moeller-Str. 7-11, D-53115 Bonn  
E-Mail: [catalog@moeller.net](mailto:catalog@moeller.net), Internet: [www.moeller.net](http://www.moeller.net), <http://catalog.moeller.net>  
HPL-C2007G V2.1 © 2007 by Moeller GmbH