



Ring Terminal
T&B Catalog Number:

BC14-10
 78621080129
 Active

UPC Number:
Status:
Description:

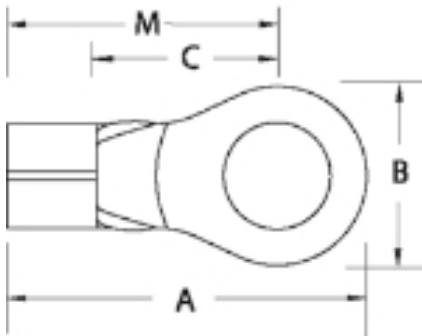
Non-Insulated Ring Terminal For Wire Range heavy duty 16-14 Stud Size #10, Metallic

WEB_USE

US Cutsheet PDF Catalog Link <http://www-public.tnb.com/contractor/docs/stakon.pdf>

Features

These non-insulated ring terminals are made of electrolytic copper for high conductivity. They can be installed with crimping tools having a single indenter or double indenter (recommended for solid wire). Serrated barrel increases grip on wire.



General

Insulation Type	Non-Insulated
Terminal Series	BC
Material	Copper
Finish	Electro -Tin Plated
Color	Metallic
Wire Range	heavy duty 16-14
Stud Size	#10

Dimension Information

Stock Thickness	.05
A (inches)	.87
B (inches)	.39
C (inches)	.29
M (inches)	.68

Specifications

Temperature Rating	150°C
Voltage Rating	600V
Flammability Rating	UL 94 V-0

Tooling

Tool Charts	Available on Website
Application Tools	WT110M, WT111M, WT112M, WT2000, ERG4002
Recommended Tool	ERG4002, ERG4005

Packaging

T&B Order Multiple	50
T&B Inner Pack	50
Package in Units	250
Package Type	Standard
T&B Sold in UOM	Each
T&B Weight Per UOM	0.56 lbs. per 100
Alternate Package Qty	BC87

Application Support

Overview	Available on Website
Wire Guide Tables	Available on Website

Certifications

RoHS Compliance Yes

Certifications



File Nbr:
E9809

For further technical assistance, please contact us...

Thomas & Betts - USA
8155 T&B Blvd.
Memphis, TN 38125
www.tnb.com

T&B Technical Support
MS 3B-50
8155 T&B Blvd.
Memphis, TN 38125

Hours: 7AM - 6PM CDT
Monday-Friday
Phone: (888) 862-3289
Fax: (901) 252-1321
Email:techsupport@tnb.com