

Safety Switches

SELECTION

Heavy Duty 240 Volt



SAFETY SWITCHES

System	Ampere Rating	Indoor – Type 1			Outdoor – Type 3R			Horsepower Ratings [Ⓢ]						
		Catalog Number	List Price	Ship Wt.* Std. Pkg.	Catalog Number	List Price	Ship Wt.* Std. Pkg.	240V AC		2 Phase, 4 Wire		3 Phase, 3 Wire		250 Volt DC
								1 Phase, 2 Wire	2 Phase, 4 Wire	3 Phase, 3 Wire	3 Phase, 3 Wire			
								Std.	Max.	Std.	Max.	Std.	Max.	

240 Volt Fusible[Ⓢ]

2-Pole, 2-Fuse, and Solid Neutral [Ⓢ]				(Also used for 2-Pole, 2-Wire Applications)				240 Volt AC/250 Volt DC						
	30	HFC221N	-	12	HFC221NR	-	13	1½	3	-	-	3	7½	5
	60	HFC222N	-	18	HFC222NR	-	19	3	10	-	-	7½	15	10
	100	HFC223N	-	23	HFC223NR	-	24	7½	15	-	-	15	30	20
	200	HFC224N	-	47	HFC224NR	-	48	15	-	-	-	25	60	40
	400	HFC225NH [Ⓢ]	-	129	HFC225NRH [Ⓢ]	-	131	15	-	-	-	50	125	50
	400	HFC225N	-	153	HFC225NR	-	157	15	-	-	-	50	125	50
	600	HFC226NH [Ⓢ]	-	133	HFC226NRH [Ⓢ]	-	135	15	-	-	-	75	200	50
	600	HFC226N	-	155	HFC226NR	-	159	15	-	-	-	75	200	50
800	HFC227N	-	360	HFC227NR	-	362	-	-	-	-	100	250	50	
1200	HFC228N	-	362	HFC228NR	-	364	-	-	-	-	100	250	50	

3-Pole, 3-Fuse, and Solid Neutral [Ⓢ]				(Also used for 3-Pole, 3-Wire Applications)				240 Volt AC/250 Volt DC						
	30	HFC321N	-	14	HFC321NR	-	15	1½	3	-	-	3	7½	5
	60	HFC322N	-	19	HFC322NR	-	20	3	10	-	-	7½	15	10
	100	HFC323N	-	25	HFC323NR	-	26	7½	15	-	-	15	30	20
	200	HFC324N	-	49	HFC324NR	-	50	15	-	-	-	25	60	40
	400	HFC325NH [Ⓢ]	-	137	HFC325NRH [Ⓢ]	-	138	15	-	-	-	50	125	50
	400	HFC325N	-	158	HFC325NR	-	162	15	-	-	-	50	125	50
	600	HFC326NH [Ⓢ]	-	139	HFC326NRH [Ⓢ]	-	142	15	-	-	-	75	200	50
	600	HFC326N	-	161	HFC326NR	-	165	15	-	-	-	75	200	50
800	HFC327N	-	380	HFC327NR	-	383	-	-	-	-	100	250	50	
1200	HFC328N	-	382	HFC328NR	-	385	-	-	-	-	100	250	50	

240 Volt Fusible[Ⓢ]

2-Pole, 2-Fuse [Ⓢ]		Type 4/4X Stainless			Type 12 Industrial [Ⓢ]			240 Volt AC/250 Volt DC						
	30	HFC221S	-	13	HFC221J	-	13	1½	3	-	-	3	7½	5
	60	HFC222S	-	19	HFC222J	-	19	3	10	-	-	7½	15	10
	100	HFC223S	-	24	HFC223J	-	24	7½	15	-	-	15	30	20
	200	HFC224S	-	48	HFC224J	-	48	15	-	-	-	25	60	40

3-Pole, 3-Fuse [Ⓢ]				(Also used for 2-Pole, 2-Wire Applications in 400–800A Ratings)				240 Volt AC/250 Volt DC						
	30	HFC321S	-	14	HFC321J	-	14	1½	3	-	-	3	7½	-
	60	HFC322S	-	20	HFC322J	-	20	3	10	-	-	7½	15	10
	100	HFC323S	-	25	HFC323J	-	25	7½	15	-	-	15	30	20
	200	HFC324S	-	49	HFC324J	-	49	15	-	-	-	25	60	40
	400	HFC325S	-	154	HFC325J	-	110	15	-	-	-	50	125	50
	600	HFC326S	-	157	HFC326J	-	161	15	-	-	-	75	200	50
	800	HFC327S	-	367	HFC327J	-	367	-	-	-	-	100	250	50

* In pounds (lbs).

Ⓢ Height reduced switch (45.25 rather than 56 inches in height) for use with 500MCM or smaller conductors.

Ⓢ Dual horsepower ratings: Std.- applies when non-time delay fuses are installed. Max.- applies when time-delay fuses are installed.

Ⓢ These switches are UL-listed for application on grounded B-phase systems and are suitable for 3-phase motor applications.

Ⓢ When a neutral is required use a field installed neutral kit.

Ⓢ Suitable for use as service entrance equipment.

Ⓢ Also rated Type 3S/3R.

Please contact factory for availability.

Safety Switches

SELECTION

Heavy Duty 600 Volt



SAFETY SWITCHES

System	Ampere Rating	Indoor – Type 1			Outdoor – Type 3R			Horsepower Ratings ^④									
		Catalog Number	List Price	Ship Wt.* Std. Pkg.	Catalog Number	List Price	Ship Wt.* Std. Pkg.	480V AC				600V AC				250 Volt DC	600 Volt DC
								1 Phase, 2 Wire		3 Phase, 3 Wire		1 Phase, 2 Wire		3 Phase, 3 Wire			
Std.	Max.	Std.	Max.	Std.	Max.	Std.	Max.	Std.	Max.	Std.	Max.	Std.	Max.				

600 Volt Fusible^⑤

2-Pole, 2-Fuse^⑥

480 Volt AC/600 Volt AC/600 Volt DC

	30	HFC261	-	15	HFC261R	-	15	3	7½	-	-	3	10	-	-	5	15
	60	HFC262	-	20	HFC262R	-	20	5	20	-	-	10	25	-	-	10	30
	100	HFC263	-	26	HFC263R	-	27	10	30	-	-	15	40	-	-	20	50
	400	HFC265	-	149	HFC265R	-	152	-	50	-	-	50	-	-	40	50	
	600	HFC266	-	150	HFC266R	-	155	-	50	-	-	50	-	-	50	50	

3-Pole, 3-Fuse^⑥

480 Volt AC/600 Volt AC/250 Volt DC^①

	30	HFC361	-	14	HFC361R	-	15	3	7½	5	15	3	10	7½	20	5	-
	60	HFC362	-	19	HFC362R	-	20	5	20	15	30	10	25	15	50	10	25
	100	HFC363	-	24	HFC363R	-	25	10	30	25	60	15	40	30	75	20	25
	200	HFC364	-	48	HFC364R	-	49	25	50	50	125	30	50	60	150	40	50
	400	HFC365H ^⑦	-	136	HFC365RH ^⑦	-	137	-	-	100	250	-	-	125	350	50	-
	400	HFC365	-	154	HFC365R	-	157	-	-	100	250	-	-	125	350	50	-
	600	HFC366H ^⑦	-	138	HFC366RH ^⑦	-	141	-	-	150	400	-	-	200	500	50	-
	600	HFC366	-	157	HFC366R	-	161	-	-	150	400	-	-	200	500	50	-
	800	HFC367	-	380	HFC367R	-	382	-	-	200	500	-	-	250	500	50	-
	1200	HFC368	-	383	HFC368R	-	385	-	-	200	500	-	-	250	500	50	-

3-Pole, 3-Fuse and Solid Neutral^⑥

480 Volt AC/600 Volt AC/250 Volt DC^①

	30	HFC361N	-	14	HFC361NR	-	15	3	7½	5	15	3	10	7½	20	5	-
	60	HFC362N	-	19	HFC362NR	-	20	5	20	15	30	10	25	15	50	10	25
	100	HFC363N	-	25	HFC363NR	-	26	10	30	25	60	15	40	30	75	20	25
	200	HFC364N	-	49	HFC364NR	-	50	25	50	50	125	30	50	60	150	40	50
	400	HFC365N	-	158	HFC365NR	-	162	-	-	100	250	-	-	125	350	50	-
	600	HFC366N	-	161	HFC366NR	-	165	-	-	150	400	-	-	200	500	50	-
	800	HFC367N	-	382	HFC367NR	-	386	-	-	250	500	-	-	250	500	50	-
1200	HFC368N	-	385	HFC368NR	-	388	-	-	250	500	-	-	250	500	50	-	

600 Volt Fusible^⑤ (For 2-Pole Applications use outside poles of 3-Pole Switches)

2-Pole, 2-Fuse^⑥

480 Volt AC/600 Volt AC/600 Volt DC

	Ampere Rating	Type 4/4X Stainless			Type 12 Industrial ^⑧												
		Cat. No.	List Price	Ship Wt.* Std. Pkg.	Cat. No.	List Price	Ship Wt.* Std. Pkg.	Std.	Max.	Std.	Max.	Std.	Max.	Std.	Max.		
	30	HFC261S	-	15	HFC261J	-	15	3	7½	-	-	3	10	-	-	5	15
	60	HFC262S	-	20	HFC262J	-	20	5	20	-	-	10	25	-	-	10	30
	100	HFC263S	-	27	HFC263J	-	27	10	30	-	-	15	40	-	-	20	50
	400	HFC265S	-	153	HFC265J	-	155	-	50	-	-	50	-	-	40	50	
	600	HFC266S	-	156	HFC266J	-	156	-	50	-	-	50	-	-	50	50	

3-Pole, 3-Fuse^⑥

480 Volt AC/600 Volt AC/250 Volt DC^①

	30	HFC361S	-	13	HFC361J	-	14	-	-	5	15	-	-	7½	20	5	-
	60	HFC362S	-	20	HFC362J	-	20	-	-	15	30	-	-	15	50	10	25
	100	HFC363S	-	25	HFC363J	-	25	-	-	25	60	-	-	30	75	20	25
	200	HFC364S	-	49	HFC364J	-	49	-	-	50	125	-	-	60	150	40	50
	400	HFC365S	-	158	HFC365J	-	160	-	-	100	250	-	-	125	350	50	-
	600	HFC366S	-	161	HFC366J	-	161	-	-	150	400	-	-	200	500	50	-
	800	HFC367S	-	380	HFC367J	-	380	-	-	200	500	-	-	250	500	50	-
	1200	HFC368S	-	388	HFC368J	-	388	-	-	250	500	-	-	250	500	50	-

* In pounds (lbs).

① 60-200A 3-Pole switches are also rated 600V DC.

③ Height reduced switch (45.25 rather than 56 inches in height) for use with 500MCM or smaller conductors.

④ Use 3-Pole switch for 200A applications.

⑤ Dual horsepower ratings: Std.- applies when non-time delay fuses are installed. Max.- applies when time-delay fuses are installed.

⑥ Suitable for use as service entrance equipment.

⑦ Also rated Type 3S/3R.

⑧ Please contact factory for availability.

Safety Switches

SELECTION

Heavy Duty 600 Volt



SAFETY SWITCHES

System	Ampere Rating	Indoor - Type 1			Outdoor - Type 3R			Horsepower Ratings							
		Catalog Number	Ship. Wgt.	List Price	Catalog Number	Ship. Wgt.	List Price	240 Volt		480 Volt		600 Volt		250V DC	600V DC
								1-Phase	3-Phase	1-Phase	3-Phase	1-Phase	3-Phase		

600 Volt Non-Fusible^①

2-Pole ^③		480 Volt AC / 600 Volt AC / 600 Volt DC													
	30	HNFC261	12	-	HNFC261R	13	-	—	—	7 1/2	—	10	—	5	15
	60	HNFC262	19	-	HNFC262R	20	-	—	—	20	—	25	—	10	30
	100	HNFC263	24	-	HNFC263R	25	-	—	—	30	—	40	—	20	50
	400	HNFC265	109	-	HNFC265R	113	-	15	—	50	—	50	—	40	50
	600	HNFC266	111	-	HNFC266R	115	-	15	—	50	—	50	—	50	50

3-Pole		480 Volt AC / 600 Volt AC / 250 Volt DC													
	30	HNFC361	12	-	HNFC361R	13	-	5	10	7 1/2	20	10	30	5	—
	60	HNFC362H ^②	11	-	HNFC362RH ^②	11	-	10	20	20	50	20	40	10	—
	60	HNFC362 ^①	18	-	HNFC362R ^①	19	-	10	20	20	50	25	60	10	25
	100	HNFC363 ^①	23	-	HNFC363R ^①	24	-	15	40	30	75	40	100	20	25
	200	HNFC364 ^①	46	-	HNFC364R ^①	47	-	15	60	50	125	50	150	40	50
	400	HNFC365	114	-	HNFC365R	118	-	15	125	50	250	50	350	50	—
	600	HNFC366	116	-	HNFC366R	120	-	15	200	50	400	50	500	50	—
	800	HNFC367	302	-	HNFC367R	305	-	15	250	50	500	50	500	50	—
1200	HNFC368	305	-	HNFC368R	307	-	15	250	50	500	50	500	50	—	

600 Volt Non-Fusible^①

2-Pole ^③		480 Volt AC / 600 Volt AC / 600 Volt DC													
		Type 4 / 4X Stainless			Type 12 Industrial ^⑤										
		Cat. No.	Ship. Wgt.	List Price	Cat. No.	Ship. Wgt.	List Price								
	30	HNFC261S	13	-	HNFC261J	13	-	—	—	7 1/2	—	10	—	5	15
	60	HNFC262S	20	-	HNFC262J	20	-	—	—	20	—	25	—	10	30
	100	HNFC263S	25	-	HNFC263J	25	-	—	—	30	—	40	—	20	50
	400	HNFC265S	113	-	HNFC265J	114	-	15	—	50	—	—	—	40	50
	600	HNFC266S	115	-	HNFC266J	120	-	15	—	50	—	—	—	50	50

3-Pole		480 Volt AC / 600 Volt AC / 250 Volt DC													
	30	HNFC361S	13	-	HNFC361J	13	-	5	10	7 1/2	20	10	30	5	—
	60	HNFC362SH ^②	15	-	HNFC362JH ^②	14	-	10	20	20	50	20	40	10	—
	60	HNFC362S ^①	19	-	HNFC362J ^①	19	-	10	20	20	50	25	60	10	25
	100	HNFC363S ^①	24	-	HNFC363J ^①	24	-	15	40	30	75	40	100	20	25
	200	HNFC364S ^①	47	-	HNFC364J ^①	47	-	15	60	50	125	50	150	40	50
	400	HNFC365S	118	-	HNFC365J	119	-	15	125	50	250	50	350	50	50
	600	HNFC366S	120	-	HNFC366J	120	-	15	200	50	400	50	500	50	50
	800	HNFC367S	302	-	HNFC367J	302	-	15	250	50	500	50	500	50	50
1200	-	-	-	HNFC368J	310	-	15	250	50	500	50	500	50	50	

^①Also rated 600V DC.

^②Compact switch (11.1"H, 6.6"W box less cover and handle). Short circuit withstand rating—100,000 RMS sym. amps.

^③Use 3-Pole switch for 200A application.

^④Suitable for use as service entrance equipment.

^⑤Also rated type 3S / 3R.

■ Please contact factory for availability.

Heavy Duty Safety Switches

SELECTION

Type 4/4X & 12 with Viewing Window



7
SAFETY SWITCHES

Description

30-600A, 3-pole 600V max. in fusible and non-fusible versions in Type 4/4X stainless steel and Type 12 enclosures.

All allow viewing of visible blade position. 30-200A also allow viewing of indicating type fuses.

Features

- Rugged installer-friendly enclosure design features a gasket flange with continuously welded seams.
- Tool-free cover latches.
- Two, three and four point mounting.
- Metal handle with large insulating grip features a positive stop in both ON and OFF position.
- Ground lugs provided as standard.
- Type 12 enclosures are fabricated from galvanized steel and are also rated for 3R/3S outdoor applications.
- Type 4X stainless steel switches (30-200A) are provided with stainless steel interior parts.
- The widest range of accessories available including 200% neutrals, gold plated PLC auxiliary contacts and isolated ground kits.

System	Ampere Rating	Catalog Number	List Price \$	Ship. Weight ^①	Maximum Horsepower Ratings ^②					
					240V AC		480V AC	600V AC	250V DC	600V DC
					1 Phase, 2 Wire	3 Phase, 3 Wire	3 Phase, 3 Wire	3-Phase, 3 Wire	DC	DC

3-Pole, 3 Wire Fusible, Type 12^{④⑤} 600 Volt AC / 250 Volt DC^②

	30	HFC361JW		17	3	7 1/2	15	20	5	—
	60	HFC362JW		22	10	15	30	50	10	30 ^③
	100	HFC363JW		26	15	30	60	75	20	50 ^③
	200	HFC364JW		53	—	60	125	150	40	50
	400	HFC365JW		166	—	125	250	350	50	—
	600	HFC366JW		168	—	200	400	500	50	—

3-Pole, 3 Wire Non-Fusible, Type 12^{④⑤} 600 Volt AC / 250 Volt DC^②

	30	HNFC361JW		14	3	10	20	30	5	—
	60	HNFC362JW		21	10	20	50	60	10	30 ^③
	100	HNFC363JW		25	15	40	75	100	20	50 ^③
	200	HNFC364JW		51	15	60	125	150	40	50
	400	HNFC365JW		133	15	125	250	350	50	—

3-Pole, 3 Wire Fusible, Type 4X Stainless Steel^⑤ 600 Volt AC / 250 Volt DC^②

	30	HFC361SW		17	3	7 1/2	15	20	5	—
	60	HFC362SW		23	10	15	30	50	10	30 ^③
	100	HFC363SW		28	15	30	60	75	20	50 ^③
	200	HFC364SW		55	—	60	125	150	40	50
	400	HFC365SW		168	15	125	250	350	50	—

3-Pole, 3 Wire Non-Fusible, Type 4X Stainless Steel^⑤ 600 Volt AC / 250 Volt DC^②

	30	HNFC361SW		15	3	10	20	30	5	—
	60	HNFC362SW		23	10	20	50	60	10	30 ^③
	100	HNFC363SW		27	15	40	75	100	20	50 ^③
	200	HNFC364SW		54	15	60	125	150	40	50
	400	HNFC365SW		134	15	125	250	350	50	—

①In pounds (lbs).

②200A switches are also rated 600V DC.

③Maximum HP ratings listed apply only when time delay fuses are used.

④Also rated 3S/3R for outdoor use.

⑤All switches are suitable for use as service entrance equipment. Use outside poles of 3-pole switch for 2-pole application.

⑥600V DC and 600V DC horsepower rating shown requires (2) poles to be connected in series.

Heavy Duty Safety Switches

SELECTION

Type VBII 4 & 6 Pole Heavy Duty Safety Switches

Application

4 & 6 pole Switches are commonly used as a disconnecting means for two-speed, two-winding motors. Fused switches provide both over current and short circuit protection. Non-fusible switches normally provide a local disconnection means for two-speed motors which are remote from their motor controller. 4 pole switches are also used in 3-phase, 4-wire circuits when a switching neutral is required. All 4 & 6 pole switches are service entrance rated.

Description

4 & 6 pole switches are available in 30-200A ratings and in both fusible and non-fusible versions. 4-pole switches are supplied with either Type 1 or Type 12/3R enclosures. 6-pole switches are available with either Type 12/3R or Type 4X stainless steel

enclosures.

Standards

- UL & CUL listed under file #E4776
- Meets UL98 for enclosed switches
- 4 & 6 Pole switches are suitable for use as service entrance
- Meets NEMA Standard KS-1 for enclosed switches
- Meets NEC wire bending space requirements

Features

- Visible blade, double break switching action
- Highly visible ON/OFF indication
- Defeatable dual cover interlock
- Padlock option in OFF position
- All copper current carrying parts^①
- Tangential knockouts (Type 1, 4-pole switches)



HNF663S

4 Pole Type VBII Switches^②

System	Amp Rating	Indoor Type 1			Type 12/3R Industrial			Horsepower Ratings ^③								
		Catalog Number	List Price \$	Ship Wt. (lbs.)	Catalog Number	List Price \$	Ship Wt. (lbs.)	240V, 2 ϕ , 4W		240V 3 ϕ		480V, 3 ϕ		600V, 3 ϕ		250V DC
								Std.	Max.	Std.	Max.	Std.	Max.	Std.	Max.	DC
Fusible 600 Volt AC, 250 Volt DC 4 Pole, 4 Fuse^④																
	30	HF461		36	HF461J		36	3	10	3	7 1/2	5	15	7 1/2	20	5
	60	HF462		40	HF462J		40	7 1/2	20	7 1/2	15	15	30	15	50	10
	100	HF463		43	HF463J		43	15	30	15	30	25	60	30	75	20
	200	HF464		88	HF464J		88	25	50	25	60	50	125	60	150	40

Non-fusible 600 Volt AC, 250 Volt DC 4 Pole

	30	HNF461		32	HNF461J		32		10		10		20		30	5
	60	HNF462		34	HNF462J		34		20		20		50		60	10
	100	HNF463		36	HNF463J		36		30		40		75		100	20
	200	HNF464		78	HNF464J		78		50		60		125		150	40

6 Pole Type VBII Switches^②

System	Amp Rating	Type 12/3R Industrial			Type 4X Stainless Steel			Horsepower Ratings ^③								
		Catalog Number	List Price \$	Ship Wt. (lbs.)	Catalog Number	List Price \$	Ship Wt. (lbs.)	240V 3 ϕ		480V, 3 ϕ		600V, 3 ϕ		250V DC		
								Std.	Max.	Std.	Max.	Std.	Max.	DC		
Fusible 600 Volt AC, 250 Volt DC 6 Pole, 6 Fuse^④																
	30	HF661J		37	HF661S		37	3	7 1/2	5	15	7 1/2	20	5		
	60	HF662J		41	HF662S		41	7 1/2	15	15	30	15	50	10		
	100	HF663J		44	HF663S		44	15	30	25	60	30	75	20		
	200	HF664J		90	HF664S		90	25	60	50	125	60	150	40		

Non-fusible 600 Volt AC, 250 Volt DC 6 Pole

	30	HNF661J		33	HNF661S		33		10		20		30	5		
	60	HNF662J		35	HNF662S		35		20		50		60	10		
	100	HNF663J		37	HNF663S		37		40		75		100	20		
	200	HNF664J		80	HNF664S		80		60		125		150	40		

① Lugs are aluminum alloy as standard. Optional copper body lugs are available.
 ② All 4 & 6 pole VBII switches are suitable for use as service equipment when a neutral is installed or equipment ground kit is properly connected.

③ Dual horsepower ratings: Std. applies when non-time-delay fuses are installed. Max. applies when time delay fuses are installed.
 ④ Fusible switches accept Class H Fuses as the standard. Class R & J fuses can also be installed and increase the rating from 10,000 to 200,000 AIC. For

Class J, the load base is moved upward. For Class R fuses, rejection kits are required.

Heavy Duty Safety Switches

SELECTION

Safety Switch Dimensions (Inches)* & Shipping Weights

Safety Switch Dimensions (Inches)* & Shipping Weights

Catalog Number	Height			Width		Depth		Knockout Diagram ^①	Shipping Weight (lbs.)
	Box A	With Door B	With Rain Shed C	Box D	With Handle E	Box F	With Handle G		
HFC221J	14.27	17.33		6.65	9.02	5.32	10.46		13
HFC221N	14.26	15.45		6.64	9.01	5.05	10.17	S6	12
HFC221NR	14.39		15.77	6.64	9.01	5.05	10.17	S8	13
HFC221S	14.27	17.33		6.65	9.02	5.32	10.46		13
HFC222J	16.22	19.31		9.17	11.47	5.33	10.46		19
HFC222N	16.26	17.46		9.15	11.53	5.05	10.17	S16	18
HFC222NR	16.26		17.77	9.16	11.53	5.05	10.17	S17	19
HFC222S	16.22	19.31		9.17	11.47	5.33	10.46		19
HFC223J	21.96	23.16		9.65	12.02	5.34	10.46		24
HFC223N	21.95	23.15		9.64	12.01	5.05	10.17	S10	23
HFC223NR	21.95		23.46	9.64	11.97	5.05	10.17	S11	24



*For inches / millimeters conversion, multiply inches by 25.4.

① Knocks not provided on Type 4 / 4X and 12 or in 800 & 1200A switches.

Heavy Duty Safety Switches

SELECTION

Safety Switch Dimensions (Inches)* & Shipping Weights

SAFETY SWITCHES

Catalog Number	Height		With Rain Shed C	Width		Depth		Knockout Diagram ①	Shipping Weight (lbs.)
	Box A	With Door B		Box D	With Handle E	Box F	With Handle G		
HFC223S	21.96	23.16		9.65	12.02	5.34	10.46		24
HFC224J	29.96	31.07		14.62	16.95	6.63	12.58		48
HFC224N	29.90	31.07		14.62	16.98	6.36	12.33	S12	47
HFC224NR	29.90		31.42	14.61	16.99	6.36	12.33	S13	48
HFC224S	29.96	31.07		14.62	16.95	6.63	12.58		48
HFC225N	56.00	56.57		24.65	26.21	9.23	14.68	S14	153
HFC225NH	45.25	45.82		24.65	26.21	9.23	14.68	S14	129
HFC225NR	56.07		57.19	24.65	26.70	9.23	14.68	S15	162
HFC225NRH	45.31		46.44	24.65	26.70	9.23	14.68	S15	131
HFC226N	56.00	56.57		24.65	26.21	9.23	14.68	S14	155
HFC226NH	45.25	45.82		24.65	26.21	9.23	14.68	S14	133
HFC226NR	56.07		57.19	24.65	26.70	9.23	14.68	S15	159
HFC226NRH	45.31		46.44	24.65	26.70	9.23	14.68	S15	135
HFC227N	66.25	66.82		38.40	39.96	9.24	14.68		360
HFC227NR	66.25		67.36	38.40	39.96	9.24	14.68		362
HFC228N	66.25	66.82		38.40	39.96	9.24	14.68		362
HFC228NR	66.25		67.36	38.40	39.96	9.24	14.68		364
HFC265	56.00	56.57		24.65	26.21	9.23	14.68	S14	149
HFC265J	56.14	56.57		24.82	26.44	9.19	14.64		155
HFC265R	56.07		57.19	24.65	26.70	9.23	14.68	S15	152
HFC265S	56.14	56.57		24.82	26.44	9.19	14.64		153
HFC266	56.00	56.57		24.65	26.21	9.23	14.68	S14	155
HFC266J	56.14	56.57		24.82	26.44	9.19	14.68		156
HFC266R	56.07		57.19	24.65	26.70	9.23	14.68	S15	155
HFC266S	56.14	56.57		24.82	26.44	9.19	14.68		161
HFC321J	14.27	17.33		6.65	9.02	5.32	10.46		14
HFC321N	14.26	15.45		6.64	9.01	5.05	10.17	S6	14
HFC321NR	14.39		15.77	6.64	9.01	5.05	10.17	S8	15
HFC321S	14.27	17.33		6.65	9.02	5.32	10.46		14
HFC322J	16.27	19.31		9.17	11.47	5.33	10.46		20
HFC322N	16.26	17.46		9.15	11.53	5.05	10.17	S16	19
HFC322NR	16.26		17.77	9.16	11.53	5.05	10.17	S17	20
HFC322S	16.27	19.31		9.17	11.47	5.33	10.46		20
HFC323J	21.96	23.16		9.65	12.02	5.34	10.46		25
HFC323N	21.95	23.15		9.64	12.01	5.05	10.17	S10	25
HFC323NR	21.95		23.46	9.64	11.97	5.05	10.17	S11	26
HFC323S	21.96	23.16		9.65	12.02	5.34	10.46		25
HFC324J	29.96	31.07		14.62	16.95	6.63	12.58		49
HFC324N	29.90	31.07		14.62	16.98	6.36	12.33	S12	49
HFC324NR	29.90		31.42	14.61	16.99	6.36	12.33	S13	50
HFC324S	21.96	31.07		14.62	16.95	6.63	12.58		49
HFC325J	56.14	56.57		24.82	26.44	9.19	14.64		160
HFC325N	56.00	56.57		24.65	26.21	9.23	14.68	S14	158
HFC325NH	45.25	45.82		24.65	26.21	9.23	14.68	S14	137
HFC325NR	56.07		57.19	24.65	26.70	9.23	14.68	S15	162
HFC325NRH	45.31		46.44	24.65	26.70	9.23	14.68	S15	138
HFC325S	56.14	56.57		24.82	26.44	9.19	14.64		158
HFC326J	56.14	56.57		24.82	26.44	9.19	14.64		161
HFC326N	56.00	56.57		24.64	26.21	9.23	14.68	S14	161
HFC326NH	45.25	45.82		24.65	26.21	9.23	14.68	S14	139
HFC326NR	56.07		57.19	24.64	26.70	9.23	14.68	S15	165
HFC326NRH	45.31		46.44	24.65	26.70	9.23	14.68	S15	142
HFC326S	56.14	56.57		24.82	26.44	9.19	14.64		161
HFC327J	66.25	66.82		38.40	39.96	9.24	14.68		367
HFC327N	66.25	66.82		38.40	39.96	9.24	14.68		380
HFC327NR	66.25		67.36	38.40	40.25	9.24	14.68		383
HFC327S	66.25	66.82		38.40	39.96	9.24	14.68		367
HFC328N	66.25	66.82		38.40	39.96	9.24	14.68		382
HFC328NR	66.25		67.36	38.40	40.25	9.24	14.68		385
HFC361	14.26	15.45		6.64	9.01	5.05	10.17	S6	14
HFC361J, JW	14.27	17.33		6.65	9.02	5.32	10.46		14
HFC361L	16.26	17.46		9.15	11.53	5.05	10.17	S16	19
HFC361N	14.26	15.45		6.64	9.01	5.05	10.17	S6	14
HFC361NR	14.39		15.77	6.64	9.01	5.05	10.17	S8	15
HFC361R	14.39		15.77	6.64	9.01	5.05	10.17	S8	15
HFC361RL	16.26		17.77	9.16	11.53	5.05	10.17	S17	20
HFC361S, SW	14.27	17.33		6.65	9.02	5.32	10.46		15
HFC362	16.26	17.46		9.15	11.53	5.05	10.17	S16	19

*For inches / millimeters conversion, multiply inches by 25.4.

① Knocks not provided on Type 4 / 4X and 12 or in 800 & 1200A switches.

Heavy Duty Safety Switches

SELECTION

Safety Switch Dimensions (Inches)* & Shipping Weights

Catalog Number	Height		With Rain Shed C	Width		Depth		Knockout Diagram	Shipping Weight (lbs.)
	Box A	With Door B		Box D	With Handle E	Box F	With Handle G		
HFC362J, JW	16.27	19.31		9.17	11.47	5.33	10.46		20
HFC362N	16.26	17.46		9.15	11.53	5.05	10.17	S16	19
HFC362NR	16.26		17.77	9.16	11.53	5.05	10.17	S17	20
HFC362R	16.26		17.77	9.16	11.53	5.05	10.17	S17	20
HFC362RL	21.95		23.46	9.64	11.97	5.05	10.17	S11	25
HFC362S, SW	16.27	19.31		9.17	11.47	5.33	10.46		20
HFC363	21.95	23.15		9.64	12.01	5.05	10.17	S10	24
HFC363J, JW	21.96	23.16		9.65	12.02	5.34	10.46		25
HFC363N	21.95	23.15		9.64	12.01	5.05	10.17	S10	25
HFC363NR	21.95		23.46	9.64	11.97	5.05	10.17	S11	26
HFC363R	21.95		23.46	9.64	11.97	5.05	10.17	S11	25
HFC363S	21.96	23.16		9.65	12.02	5.34	10.46		25
HFC364	29.90	31.07		14.62	16.98	6.36	12.33	S12	48
HFC364J, JW	29.96	31.07		14.62	16.95	6.63	12.58		49
HFC364N	29.90	31.07		14.62	16.98	6.36	12.33	S12	49
HFC364NR	29.90		31.42	14.61	16.99	6.36	12.33	S13	48
HFC364R	29.90		31.42	14.61	16.99	6.36	12.33	S13	49
HFC364S, SW	29.96	31.07		14.62	16.95	6.63	12.58		49
HFC365	56.00	56.57		24.65	26.21	9.23	14.68	S14	154
HFC365H	45.25	45.82		24.65	26.21	9.23	14.68	S14	136
HFC365J, JW	56.14	56.57		24.82	26.44	9.19	14.64		160
HFC365N	56.00	56.57		24.65	26.21	9.23	14.68	S14	158
HFC365NR	56.07		57.19	24.65	26.70	9.23	14.68	S15	162
HFC365R	56.07		57.19	24.65	26.70	9.23	14.68	S15	157
HFC365RH	45.25	45.82		24.65	26.70	9.23	14.68	S15	137
HFC365S, SW	56.14	56.57		24.82	26.44	9.19	14.64		158
HFC366	56.00	56.57		24.64	26.21	9.23	14.68	S14	157
HFC366H	45.25	45.82		24.65	26.21	9.23	14.68	S14	138
HFC366J, JW	56.14	56.57		24.82	26.44	9.19	14.64		161
HFC366N	56.00	56.57		24.65	26.21	9.23	14.68	S14	161
HFC366NR	56.07		57.19	24.65	26.70	9.23	14.68	S15	165
HFC366R	56.07		57.19	24.65	26.70	9.23	14.68	S15	161
HFC366RH	45.25	45.82		24.65	26.70	9.23	14.68	S15	141
HFC366S	56.14	56.57		24.82	26.44	9.19	14.64		161
HFC367	66.25	66.82		38.40	39.96	9.24	14.68		380
HFC367J	66.25	66.82		38.40	39.96	9.24	14.68		380
HFC367N	66.25	66.82		38.40	39.96	9.24	14.68		382
HFC367NR	66.25		67.36	38.40	40.25	9.24	14.68		386
HFC367R	66.25		67.36	38.40	40.25	9.24	14.68		382
HFC367S	66.25	66.82		38.40	39.96	9.24	14.68		380
HFC368, J, S	66.25	66.82		38.40	39.96	9.24	14.68		383
HFC368N	66.25	66.82		38.40	39.96	9.24	14.68		385
HFC368NR	66.25		67.36	38.40	40.25	9.24	14.68		388
HFC368R	66.25		67.36	38.40	40.25	9.24	14.68		385
HNFC265	44.00	44.57		24.65	26.21	9.23	14.68	S14	109
HNFC265J	44.14	44.57		24.82	26.44	9.19	14.64		119
HNFC265R	44.07		45.19	24.65	26.70	9.23	14.68	S15	118
HNFC265S	44.14	44.57		24.82	26.44	9.19	14.64		118
HNFC266	44.00	44.57		24.65	26.21	9.23	14.68	S14	111
HNFC266J	44.14	44.57		24.82	26.44	9.19	14.64		115
HNFC266R	44.07		45.19	24.64	26.70	9.23	14.68	S15	120
HNFC266S	44.14	44.57		24.82	26.44	9.19	14.64		115
HNFC361	11.11	12.31		6.64	9.01	5.05	10.17	S7	12
HNFC361J, JW	11.12	14.14		6.65	9.02	5.56	10.46		13
HNFC361R	11.11		12.63	6.64	9.01	5.05	10.17	S9	13
HNFC361RL	16.26		17.77	9.16	11.53	5.05	10.17	S17	20
HNFC361S, SW	11.12	14.14		6.65	9.02	5.56	10.46		13
HNFC362	16.26	17.46		9.15	11.53	5.05	10.17	S16	18
HNFC362J, JW	16.27	17.46		9.17	11.47	5.33	10.46		19
HNFC362R	16.26		17.77	9.16	11.53	5.05	10.17	S17	19
HNFC362RL	21.95		23.46	9.64	11.97	5.05	10.17	S11	24
HNFC362S, SW	16.27	17.46		9.17	11.47	5.33	10.46		19
HNFC363	21.95	23.15		9.64	12.01	5.05	10.17	S10	23
HNFC363J, JW	21.96	23.16		9.65	12.02	5.34	10.46		24
HNFC363R	21.95		23.46	9.64	11.97	5.05	10.17	S11	24
HNFC363S, SW	21.96	23.16		9.65	12.02	5.34	10.46		24
HNFC364	29.90	31.07		14.62	16.98	6.36	12.33	S12	46
HNFC364J, JW	29.96	31.07		14.62	16.95	6.63	12.58		47
HNFC364R	29.90		31.42	14.61	16.99	6.36	12.33	S13	47
HNFC364S, SW	29.96	31.07		14.62	16.95	6.63	12.58		47

*For inches / millimeters conversion, multiply inches by 25.4.

Ⓢ Knocks not provided on Type 4 / 4X and 12 or in 800 & 1200A switches.



Heavy Duty Safety Switches

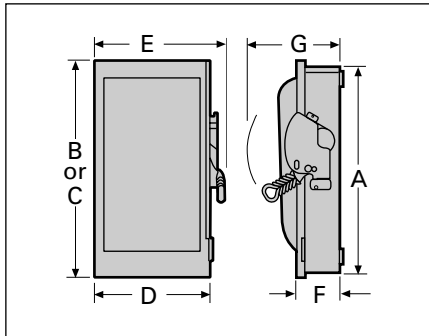
DIMENSIONS

Safety Switch Dimensions (Inches)* & Shipping Weights

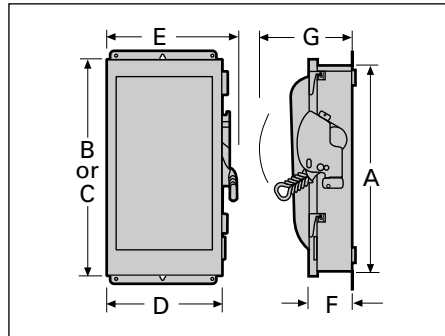
SAFETY SWITCHES

Catalog Number	Height		With Rain Shed C	Width		Depth		Knockout Diagram	Shipping Weight (lbs.)
	Box A	With Door B		Box D	With Handle E	Box F	With Handle G		
HNFC365	44.00	44.57	45.19	24.65	26.21	9.23	14.68	S14	114
HNFC365J, JW	44.14	44.57		24.82	26.44	9.19	14.64		114
HNFC365R	44.07			24.65	26.95	9.23	14.68	S15	118
HNFC365S, SW	44.14	44.57	24.82	26.44	9.19	14.64	118		
HNFC366	44.00	44.57		24.65	26.21	9.23	14.68	S14	116
HNFC366J, S	44.14	44.57	45.19	24.82	26.44	9.19	14.64	S15	115
HNFC366R	44.07			24.65	26.95	9.23	14.68		120
HNFC367, J	54.25	54.82		38.40	39.96	9.24	14.68		302
HNFC367R	54.25		55.36	38.40	40.25	9.24	14.68		304
HNFC367S	54.25	54.82		38.40	39.96	9.24	14.68	302	
HNFC368, J	54.25	54.82		38.40	39.96	9.24	14.68	305	
HNFC368R	54.25	54.82		38.40	40.25	9.24	14.68	307	

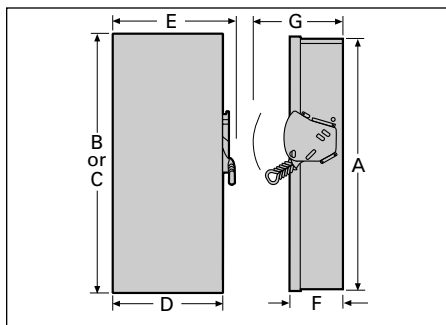
Type 1 or 3R
30-200A HD Type VBII



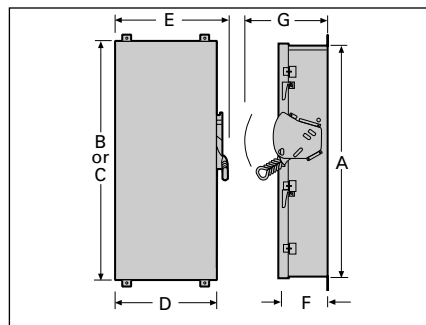
Type 4/4X or 12
30-200A HD Type VBII



Type 1 or 3R
400-1200A Type VBII (HD)



Type 4/4X or 12
400-1200A HD Type VBII



*For inches / millimeters conversion, multiply inches by 25.4.

1200A switches.

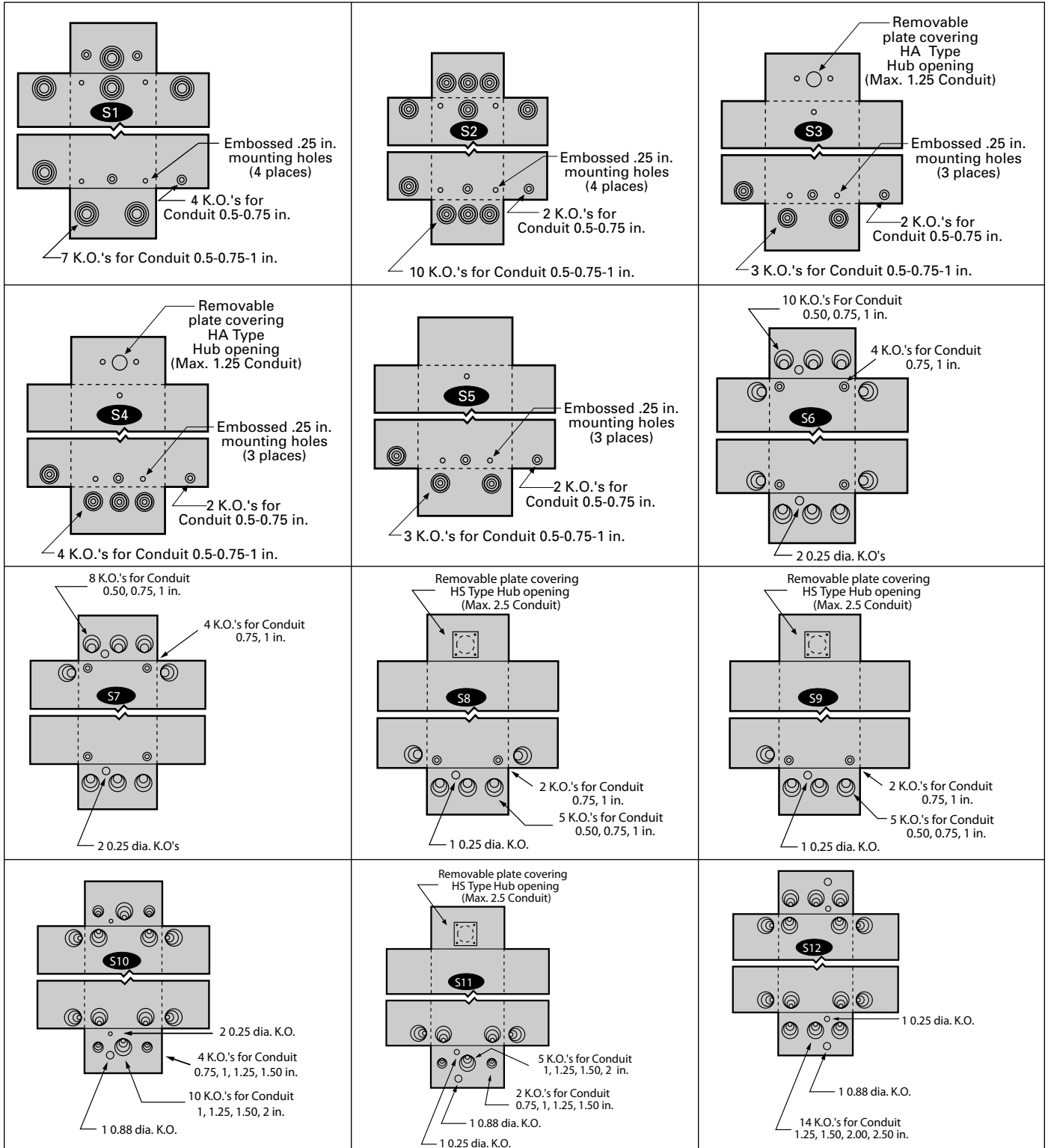
Ⓢ Knockouts not provided on Type 4 / 4X and 12 or in 800 &

Heavy Duty Safety Switches

KNOCKOUT DIAGRAMS

SAFETY SWITCHES

Type 1 & 3R Enclosures



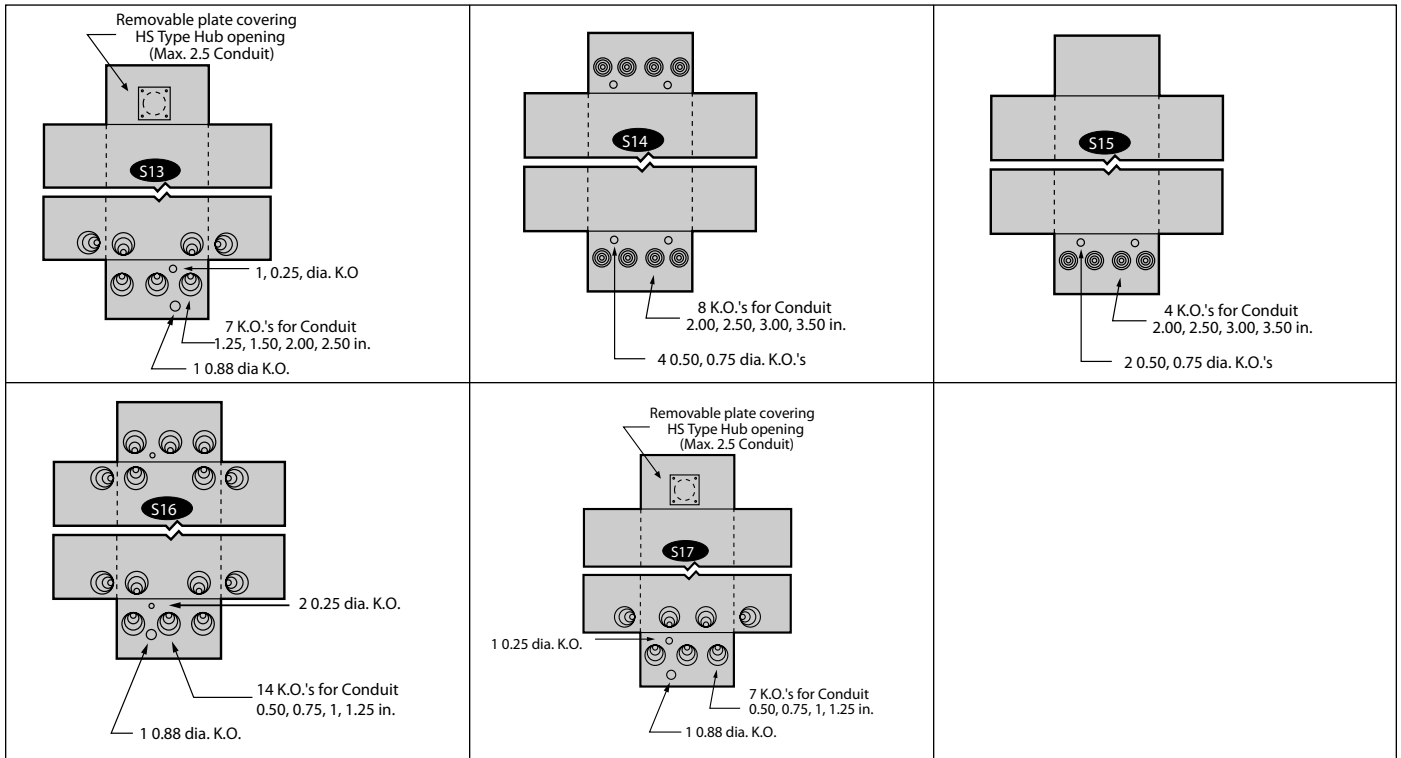
*For inches / millimeters conversion, multiply inches by 25.4.

Heavy Duty Safety Switches

KNOCKOUT DIAGRAMS

Type 1 & 3R Enclosures

SAFETY SWITCHES



*For inches / millimeters conversion, multiply inches by 25.4.

Special Applications Safety Switches Dimension Drawings

SELECTIONS

4-Pole & 6-Pole

4 & 6 Pole Safety Switch Dimensions Inches (mm)

Catalog Number	Enclosure			Mounting		
	A	B	C	D	E	F

Figure 1, 4-Pole Fusible and Non-fusible, Type 1

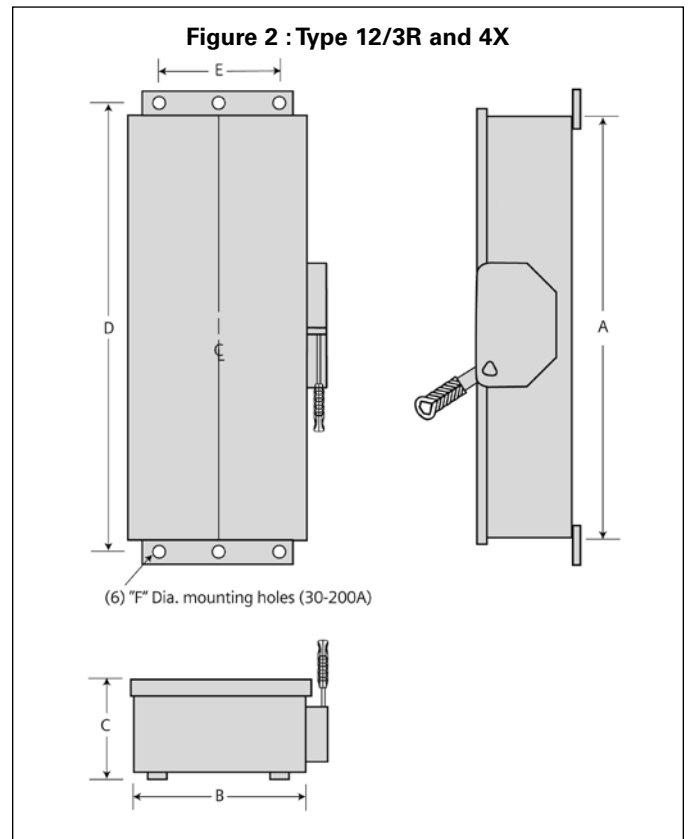
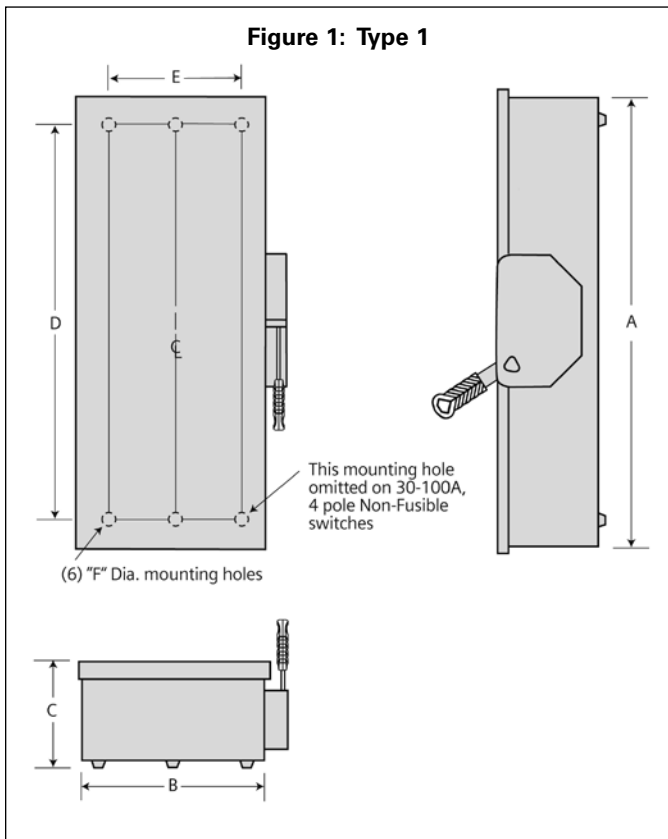
HNF461	24.50 (622)	9.53 (242)	6.09 (155)	19.00 (483)	6.75 (171)	0.268 (7)
HF461	29.12 (740)	9.53 (242)	6.09 (155)	23.50 (597)	6.75 (171)	0.268 (7)
HNF462	24.88 (632)	11.50 (292)	6.09 (155)	19.00 (483)	9.38 (238)	0.268 (7)
HF462	33.53 (852)	11.50 (292)	6.09 (155)	27.50 (699)	9.38 (238)	0.268 (7)
HNF463	27.62 (702)	12.18 (309)	6.09 (155)	19.36 (492)	8.00 (203)	0.268 (7)
HF463	36.44 (926)	12.18 (309)	6.09 (155)	28.11 (714)	8.00 (203)	0.268 (7)
HNF464	36.00 (914)	19.12 (486)	6.42 (163)	30.88 (784)	15.00 (381)	0.44 (11)
HF464	49.48 (1257)	19.12 (486)	6.42 (163)	45.50 (1130)	15.00 (381)	0.44 (11)

Figure 2, 4 & 6 Pole Fusible Type 12/3R and 4X

HF461J, HF661J, HF661S	29.50 (622)	9.53 (242)	6.48 (165)	31.65 (804)	5.47 (139)	0.27 (7)
HF462J, HF662J, HF662S	33.53 (852)	11.50 (292)	6.48 (165)	35.69 (907)	8.00 (203)	0.27 (7)
HF463J, HF663J, HF663S	36.44 (926)	12.18 (309)	6.48 (165)	38.67 (982)	8.47 (215)	0.27 (7)
HF464J, HF664J, HF664S	49.48 (1257)	19.12 (486)	6.78 (172)	51.64 (1312)	13.44 (341)	0.33 (8)

Figure 2, 4 & 6 Pole Non-fusible Type 12/3R and 4X

HNF461J, HNF661J, HNF661S	24.50 (622)	9.53 (242)	6.48 (165)	26.65 (667)	5.47 (139)	0.27 (7)
HNF462J, HNF662J, HNF662S	24.88 (632)	11.50 (292)	6.48 (165)	27.03 (687)	8.00 (203)	0.27 (7)
HNF463J, HNF663J, HNF663S	27.54 (700)	12.18 (309)	6.48 (165)	29.77 (756)	8.47 (215)	0.27 (7)
HNF464J, HNF664J, HNF664S	36.00 (914)	19.12 (486)	6.78 (172)	38.16 (969)	13.44 (341)	0.33 (8)



SAFETY SWITCHES