



LED Lamps

For EXIT signage

Type: _____

Project/Location: _____

Contractor: _____

Prepared By: _____

Date: _____

Model No.: _____

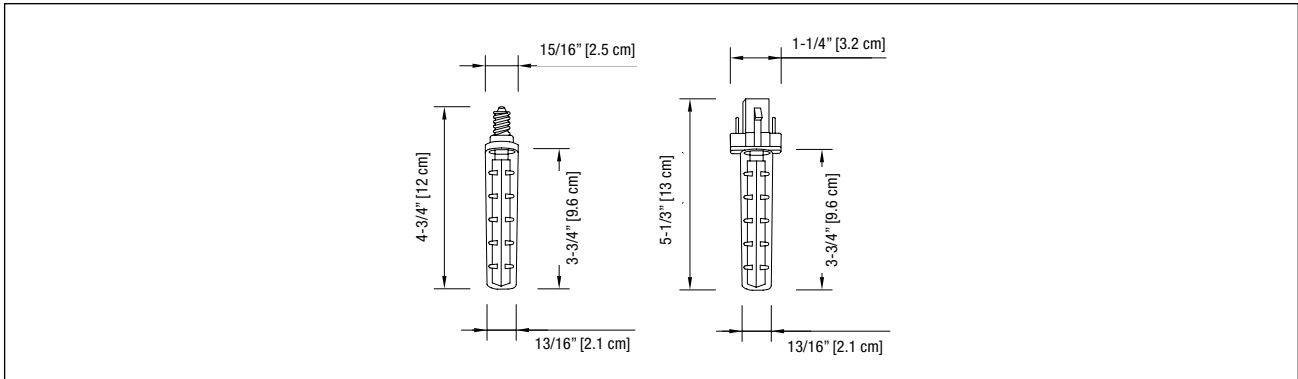
LED LAMPS

- Quick and easy to install
- Available with wide range of lamp bases for quick lamp to lamp replacement
- Long-life, energy-efficient ALINGAP LED technology
- 120VAC or 120 VAC with in-line diode



DIMENSIONS

Dimensions are approximate and subject to change.



POWER CONSUMPTION

MODEL	AC SPECS		DC SPECS	
L11W	120VAC	0.90W	N/A	N/A
L3	120VAC	2.6W	120 VDC	2.6W

ORDERING INFORMATION

SERIES	OPTIONS
<p>L11W= standard version</p> <p>L3= with or without in-line diodes (2.5W), high brightness</p>	<p>C= candelabra</p> <p>I= intermediate</p> <p>M= medium</p> <p>B= bayonet</p> <p>F= G23 compact fluorescent</p>

EXAMPLE: L1-1W-C