

June 2009

E47 Precision Limit Switches

Contents

Overview 1
 Model Selection,
 Basic Switches 2
 Model Selection,
 Accessories 5
 Model Selection,
 Enclosed Switches 5
 Specifications 7

Cutler-Hammer® E47 Precision Switches from Eaton’s electrical business provide high accuracy switching at an affordable price. A variety of standard features, such as current capacity, operating force, travel characteristics and actuators, lets you custom fit the switch to your application.

The switches are available in their compact basic form, or enclosed in a rugged, metal housing.

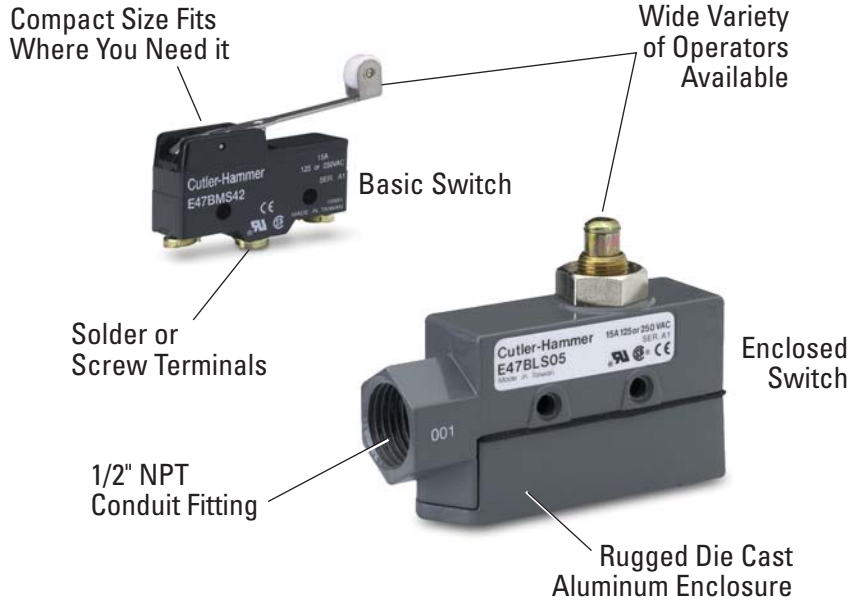
Approvals

- UL Recognized
- CSA Certified



Unless otherwise noted, the products contained in this document are not designed or intended for use in human safety applications.

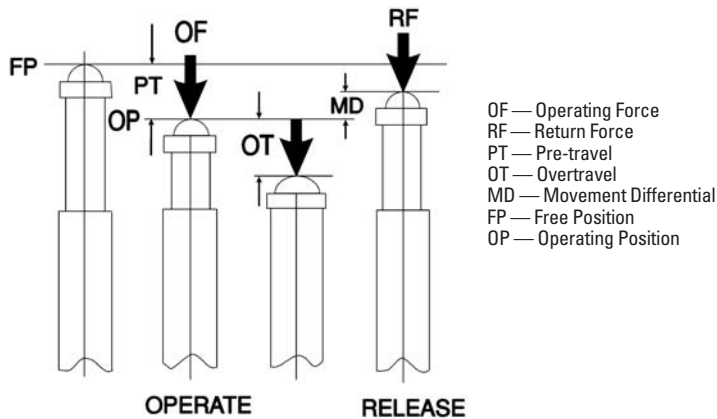
The Cost-Effective Solution for Highly Accurate Switching Applications



Product Features


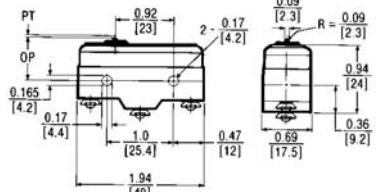

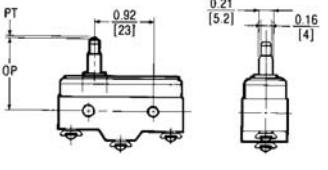

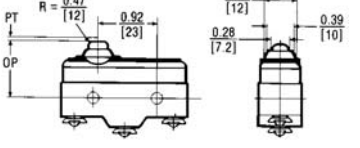

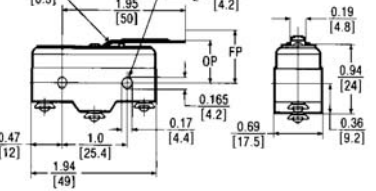

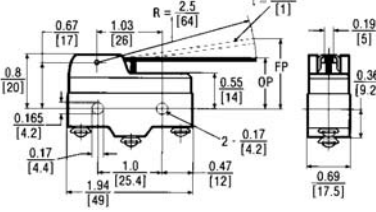

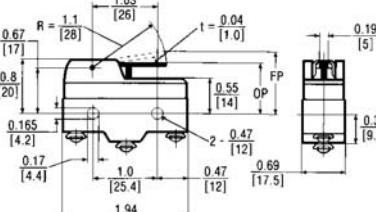
- Compact housings are ideal for use where space is restricted
- Precision, snap-action operators provide accurate repeatability of electrical and mechanical operating characteristics
- High current capacity (up to 20A) allows power load switching and motor handling capability
- Enclosed booted versions shield actuators from debris

Definitions — Operating Characteristics



For Customer Service in the U.S. call **1-877-ETN CARE (386-2273)**,
 in Canada call **1-800-268-3578**.
 For Application Assistance in the U.S. and Canada
 call **1-800-426-9184**.

Model Selection — Basic Switches

| | Type | Catalog Number | | Specifications ① | Approximate Dimensions in Inches (mm) |
|--|-----------------|-----------------|-------------------|---|---|
| | | 15A | 20A | | |
|  <p>Pin Plunger</p> | Screw Terminal | E47BMS01 | E47CMS01 | OF Max. — 12.3 oz (350g) RF Max. — 4.02 oz (114g) PT Max. — 0.016 in (0.4 mm) OT Max. — 0.005 in (0.13 mm) MD Max. — 0.002 in (0.05 mm) OP — 0.626 in (15.9 mm) |  |
| | Solder Terminal | E47BML01 | E47CML01 ② | | |
|  <p>Extended Plunger</p> | Screw Terminal | E47BMS03 | — | OF Max. — 12.3 oz (350g) RF Max. — 4.02 oz (114g) PT Max. — 0.016 in (0.4 mm) OT Max. — 0.063 in (1.6 mm) MD Max. — 0.002 in (0.05 mm) OP — 1.11 in (28.2 mm) |  |
| | Solder Terminal | E47BML03 | — | | |
|  <p>Straight Plunger</p> | Screw Terminal | E47BMS02 | E47CMS02 | OF Max. — 12.3 oz (350g) RF Max. — 4.02 oz (114g) PT Max. — 0.016 in (0.4 mm) OT Max. — 0.063 in (1.6 mm) MD Max. — 0.002 in (0.05 mm) OP — 0.846 in (21.5 mm) |  |
| | Solder Terminal | E47BML02 | E47CML02 | | |
|  <p>Reversed Lever</p> | Screw Terminal | E47BMS21 | — | OF Max. — 5.29 oz (150g) RF Max. — 0.49 oz (14g) PT Max. — 0.16 in (4 mm) OT Max. — 0.063 in (1.6 mm) MD Max. — 0.051 in (1.3 mm) FP Max. — 0.81 in (20.6 mm) OP — 0.685 in (17.4 mm) |  |
| | Solder Terminal | E47BML21 | — | | |
| | Spade Terminal | E47BMT21 | — | | |
|  <p>Straight Lever</p> | Screw Terminal | E47BMS22 | E47CMS22 | OF Max. — 2.47 oz (70g) RF Min. — 0.49 oz (14g) PT Max. — 0.394 in (10 mm) OT Max. — 0.220 in (5.6 mm) MD Max. — 0.051 in (1.3 mm) FP Max. — 1.11 in (28.2 mm) OP — 0.748 in (19 mm) |  |
| | Solder Terminal | E47BML22 | — | | |
|  <p>Standard Lever</p> | Screw Terminal | E47BMS20 | — | OF Max. — 3.53 oz (100g) RF Min. — 0.99 oz (28g) PT Max. — 0.197 in (5.0 mm) OT Max. — 0.079 in (2.0 mm) MD Max. — 0.039 in (1.0 mm) FP Max. — 0.976 in (24.8 mm) OP — 0.748 in (19 mm) |  |
| | Solder Terminal | E47BML20 | — | | |


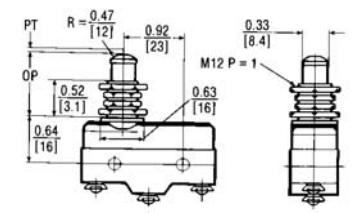

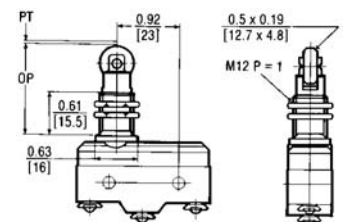

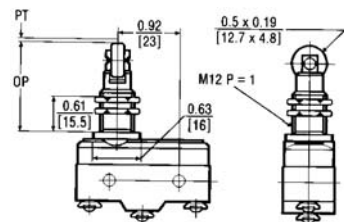

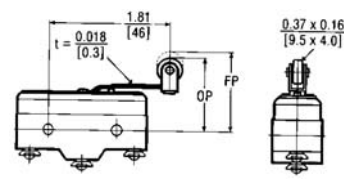

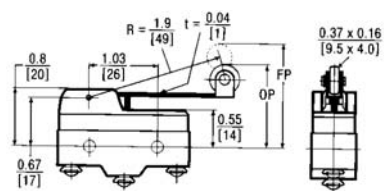
① OF = Operating Force; RF = Return Force; PT = Pre-travel; OT = Overtravel; MD = Movement Differential; FP = Free Position; OP = Operating Position.

② Contact Eaton's Cutler-Hammer Sensor Applications Department at 1-800-426-9184 for approval status.

■ Stocked product, typical order quantities guaranteed in stock.

June 2009


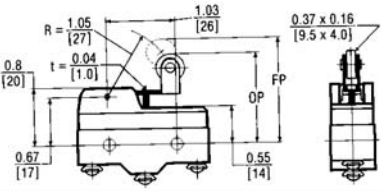

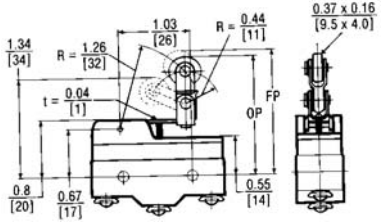

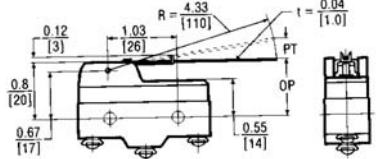

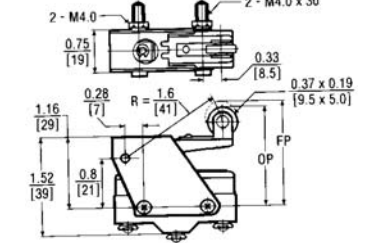

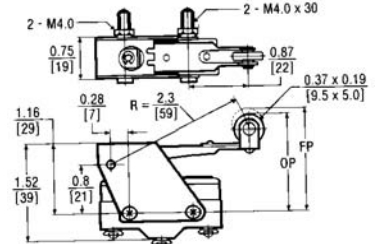
Model Selection — Basic Switches (Continued)

| | Type | Catalog Number | | Specifications ① | Approximate Dimensions in Inches (mm) |
|--|-----------------|-----------------|-----------------|--|---|
| | | 15A | 20A | | |
|  <p>Extended Straight Plunger</p> | Screw Terminal | E47BMS04 | E47CMS04 | OF Max. — 12.3 oz (350g) RF Max. — 4.02 oz (114g) PT Max. — 0.016 in (0.4 mm) OT Max. — 0.217 in (5.5 mm) MD Max. — 0.002 in (0.05 mm) OP — 0.858 in (21.8 mm) |  |
| | Solder Terminal | E47BML04 | E47CML04 | | |
|  <p>Roller Plunger</p> | Screw Terminal | E47BMS10 | E47CMS10 | OF Max. — 12.3 oz (350g) RF Max. — 4.02 oz (114g) PT Max. — 0.016 in (0.4 mm) OT Max. — 0.14 in (3.58 mm) MD Max. — 0.002 in (0.05 mm) OP — 1.315 in (33.4 mm) |  |
| | Solder Terminal | E47BML10 | — | | |
|  <p>Cross Roller Plunger</p> | Screw Terminal | E47BMS11 | E47CMS11 | OF Max. — 12.3 oz (350g) RF Max. — 4.02 oz (114g) PT Max. — 0.016 in (0.4 mm) OT Max. — 0.14 in (3.58 mm) MD Max. — 0.002 in (0.05 mm) OP — 1.315 in (33.4 mm) |  |
| | Solder Terminal | E47BML11 | — | | |
|  <p>Reversed Roller Lever</p> | Screw Terminal | E47BMS41 | — | OF Max. — 5.29 oz (150g) RF Max. — 0.49 oz (14g) PT Max. — 0.16 in (4 mm) OT Max. — 0.063 in (1.6 mm) MD Max. — 0.051 in (1.3 mm) FP Max. — 1.252 in (31.8 mm) OP — 1.126 in (28.6 mm) |  |
| | Solder Terminal | E47BML41 | — | | |
|  <p>Extended Roller Lever</p> | Screw Terminal | E47BMS42 | E47CMS42 | OF Max. — 5.64 oz (160g) RF Min. — 0.78 oz (22g) PT Max. — 0.28 in (7.1 mm) OT Max. — 0.16 in (4 mm) MD Max. — 0.04 in (1.02 mm) FP Max. — 1.437 in (36.5 mm) OP — 1.189 in (30.2 mm) |  |
| | Solder Terminal | E47BML42 | — | | |

① OF = Operating Force; RF = Return Force; PT = Pre-travel; OT = Overtravel; MD = Movement Differential; FP = Free Position; OP = Operating Position.

■ Stocked product, typical order quantities guaranteed in stock.

Model Selection — Basic Switches (Continued)


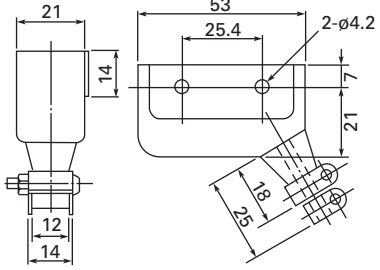

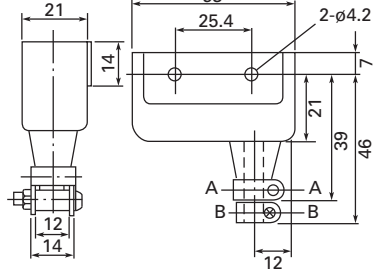
| | Type | Catalog Number | | Specifications ^① | Approximate Dimensions in Inches (mm) |
|---|-----------------|-----------------|-----------------|--|---|
| | | 15A | 20A | | |
| Roller Lever  | Screw Terminal | E47BMS30 | E47CMS30 | OF Max. — 5.64 oz (160g) RF Min. — 1.48 oz (42g) PT Max. — 0.106 in (2.7 mm) OT Max. — 0.094 in (2.4 mm) MD Max. — 0.02 in (0.5 mm) FP Max. — 1.28 in (32.5 mm) OP — 1.189 in (30.2 mm) |  |
| | Solder Terminal | E47BML30 | — | | |
| | Spade Terminal | E47BMT30 | E47CMT30 | | |
| One-Way Roller  | Screw Terminal | E47BMS31 | — | OF Max. — 5.64 oz (160g) RF Min. — 1.48 oz (42g) PT Max. — 0.106 in (2.7 mm) OT Max. — 0.094 in (2.4 mm) MD Max. — 0.02 in (0.5 mm) FP — 1.717 in (43.6 mm) OP — 1.697 in (43.1 mm) |  |
| | Solder Terminal | E47BML31 | — | | |
| Integral Leaf  | Screw Terminal | E47BMS23 | E47CMS23 | OF Max. — 0.35 oz (10g) RF Min. — 0.106 oz (3.0g) PT Max. — 0.787 in (20.0 mm) OT Max. — 0.22 in (5.6 mm) MD Max. — 0.118 in (3.0 mm) OP — 0.748 in (19.0 mm) |  |
| | Solder Terminal | E47BML23 | — | | |
| Adjustable Roller  | Screw Terminal | E47BMS40 | — | OF Max. — 17.64 oz (500g) RF Min. — 6.0 oz (170g) PT Max. — 0.197 in (5.0 mm) OT Max. — 0.5 in (12.7 mm) MD Max. — 0.087 in (2.2 mm) FP Max. — 1.752 in (44.5 mm) OP — 1.591 in (40.4 mm) |  |
| | Solder Terminal | E47BML40 | — | | |
| Extended Adjustable Roller  | Screw Terminal | E47BMS43 | — | OF Max. — 21.16 oz (600g) RF Min. — 10.58 oz (300g) PT Max. — 0.118 in (3.0 mm) OT Max. — 0.236 in (6.0 mm) MD Max. — 0.079 in (2.0 mm) FP Max. — 1.614 in (41 mm) OP — 1.591 in (40.4 mm) |  |
| | Solder Terminal | E47BML43 | — | | |

^① OF = Operating Force; RF = Return Force; PT = Pre-travel; OT = Overtravel; MD = Movement Differential; FP = Free Position; OP = Operating Position.

■ Stocked product, typical order quantities guaranteed in stock.


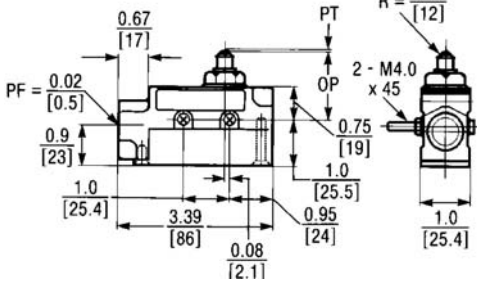

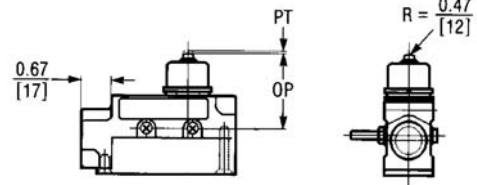

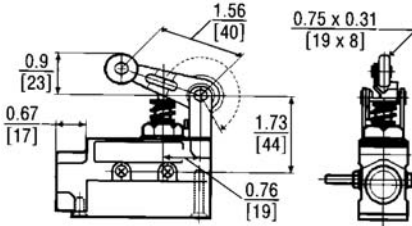
June 2009

Model Selection — Accessories — Terminal Wire Covers for Basic Switches

| | Description | Catalog Number | Approximate Dimensions in mm |
|---|--|----------------|---|
|  | Terminal wire cover with 45° conduit interface | E47PA1 |  |
|  | Terminal wire cover with 90° conduit interface | E47PA2 |  |

Stocked product, typical order quantities guaranteed in stock.

Model Selection — Enclosed Switches


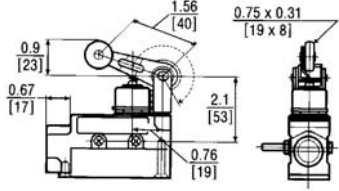

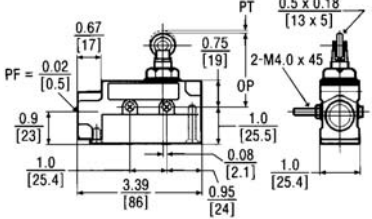

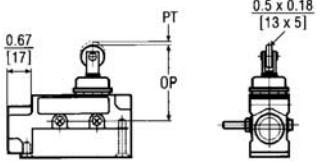

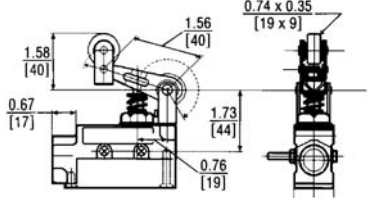

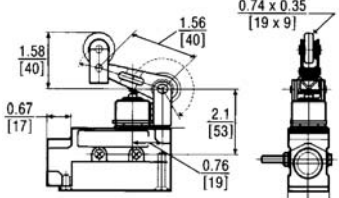

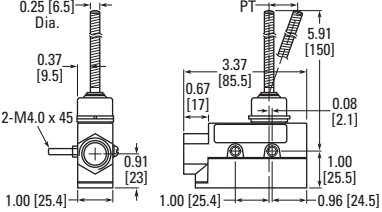
| | Catalog Number | Specifications ① | Approximate Dimensions in Inches (mm) |
|---|-----------------------------|--|---|
|  | E47BLS05 | OF Max. — 8.82 – 12.3 oz (250 – 350g) RF Min. — 4.02 oz (114g) PT Max. — 0.016 in (0.4 mm) OT Max. — 0.217 in (5.5 mm) MD Max. — 0.002 in (0.05 mm) OP — 1.504 in (38.2 mm) |  |
| | E47CLS05 ② (20 Amp version) | | |
|  | E47BLS06 | OF Max. — 28.22 oz (800g) RF Min. — 8.46 oz (240g) PT Max. — 0.079 in (2.0 mm) OT Max. — 0.197 in (5.0 mm) MD Max. — 0.004 in (0.1 mm) OP — 1.803 in (45.8 mm) |  |
| | E47CLS06 ② (20 Amp version) | | |
|  | E47BLS32 | OF Max. — 20.1 oz (570g) RF Min. — 6.0 oz (1700g) PT Max. — 0.157 in (4.0 mm) OT Max. — 0.236 in (6.0 mm) MD Max. — 0.016 in (0.4 mm) |  |
| | E47CLS32 ② (20 Amp version) | | |

① OF = Operating Force; RF = Return Force; PT = Pre-travel; OT = Overtravel; MD = Movement Differential; FP = Free Position; OP = Operating Position.

② Contact Eaton's Cutler-Hammer Sensor Applications Department at 1-800-426-9184 for approval status.

Stocked product, typical order quantities guaranteed in stock.

Model Selection — Enclosed Switches (Continued)

| | Catalog Number | Specifications ^① | Approximate Dimensions in Inches (mm) |
|---|---|--|---|
|  | E47BLS33 | OF Max. — 22.57 oz (640g) RF Min. — 8.11 oz (230g) PT Max. — 0.197 in (5.0 mm) OT Max. — 0.236 in (6.0 mm) MD Max. — 0.016 in (0.4 mm) |  |
|  | E47BLS07 E47BLS11 (Cross Roller Unit) | OF Max. — 8.82 – 12.3oz (250 – 350g) RF Min. — 4.02 oz (114g) PT Max. — 0.02 in (0.5 mm) OT Max. — 0.142 in (3.6 mm) MD Max. — 0.002 in (0.05 mm) OP — 1.957 in (49.7 mm) |  |
|  | E47BLS08 E47BLS12 (Cross Roller Unit) | OF Max. — 17.64 oz (500g) RF Min. — 3.53 oz (100g) PT Max. — 0.039 in (1.0 mm) OT Max. — 0.138 in (3.5 mm) MD Max. — 0.005 in (0.12 mm) OP — 1.957 in (49.7 mm) |  |
|  | E47BLS34 | OF Max. — 20.1 oz (570g) RF Min. — 6.0 oz (170g) PT Max. — 0.157 in (4.0 mm) OT Max. — 0.236 in (6.0 mm) MD Max. — 0.016 in (0.4 mm) |  |
|  | E47BLS35 | OF Max. — 22.57 oz (640g) RF Min. — 8.11 oz (230g) PT Max. — 0.197 in (5.0 mm) OT Max. — 0.236 in (6.0 mm) MD Max. — 0.016 in (0.4 mm) |  |
|  | E47BLS14 | OF Max. — 2.11 oz (60g) RF Min. — 0.88 oz (25g) PT Max. — 0.520 in (13.2 mm) OT Max. — 0.315 in (8.0 mm) MD Max. — 0.039 in (1.0 mm) |  |

^① OF = Operating Force; RF = Return Force; PT = Pre-travel; OT = Overtravel; MD = Movement Differential; FP = Free Position; OP = Operating Position.

Stocked product, typical order quantities guaranteed in stock.

June 2009

Specifications

| | |
|--|---|
| Operating Speed | 0.01m/second to 1m/second |
| Operating Frequency Mechanical Electrical | 120 Operations/minute 20 Operations/minute |
| Mechanical Life | 3,000,000 Operations minimum |
| Electrical Life | 500,000 Operations minimum |
| Contact Resistance | 15m Ohms maximum, initial |
| Insulation Resistance | 100m Ohms minimum @ 500V DC |
| Dielectric Strength Between Non-current Carrying Parts Between Current Carrying Parts and Ground | 1000V AC, 50/60 Hz for 1 minute 2000V AC, 50/60 Hz for 1 minute |
| Ambient Operating Temperature Basic Enclosed | -13° to 176°F (-25° to 80°C) 5° to 176°F (-15° to 80°C) |
| Environmental Rating Enclosed, Booted | NEMA 1 |
| Mounting Centers | 1.0 in (25.4 mm), #8 screw size |
| Terminal Screws | Bottom facing M4 x 0.7 (8 – 32) — Screws with cup washers will accept 22 – 12 AWG (2.5 sq. mm maximum) Maximum Torque: 10 in-lbs. |
| Threaded Bushing | 15/32 in |
| Material of Construction | Mineral filled phenolic |
| Enclosure Rating | Aluminum die casting (ADC-3/A380); Seal boot: Nitrile, butyl rubber (NBR) |
| Conduit Fitting On Enclosed Type | 1/2 inch NPT |

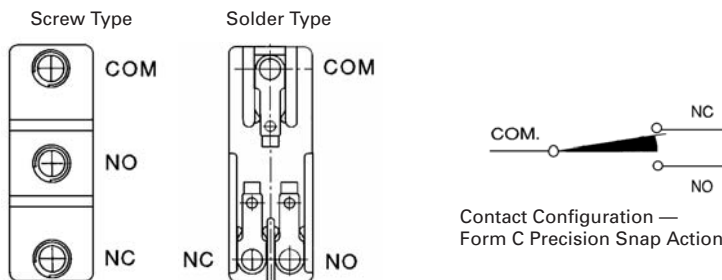
Ratings ①②

| Model | Rated Voltage (V) | Non-inductive Load (A) | | | Inductive Load (A) | | | Inrush Current (A) | |
|-------|-------------------|------------------------|---------------|------|--------------------|------------|------|--------------------|---------|
| | | Resistive Load | Lamp Load | | Inductive Load | Motor Load | | N.C. | N.O. |
| | | | N.C. and N.O. | N.C. | | N.O. | N.C. | | |
| 15A | 125V AC | 15 | 3 | 1.5 | 15 | 5 | 2.5 | 30 Max. | 15 Max. |
| | 250V AC | 15 | 2.5 | 1.25 | 15 | 3 | 1.5 | | |
| | 500V AC | 3 | 1.5 | 0.75 | 2.5 | 1.5 | 0.75 | | |
| | 8V DC | 15 | 3 | 1.5 | 15 | 5 | 2.5 | | |
| | 14V DC | 15 | 3 | 1.5 | 10 | 5 | 2.5 | | |
| | 30V DC | 6 (2) | 3 | 1.5 | 5 | 5 | 2.5 | | |
| 20A | 125V AC | 20 | 7.5 | 7.5 | 20 | 12.5 | 12.5 | 60 Max. | 30 Max. |
| | 250V AC | 20 | 7.5 | 7.5 | 20 | 8.3 | 8.3 | | |
| | 500V AC | 6 | 4 | 4 | 5 | 2 | 2 | | |
| | 8V DC | 20 | 3 | 1.5 | 20 | 12.5 | 12.5 | | |
| | 14V DC | 20 | 3 | 1.5 | 15 | 12.5 | 12.5 | | |
| | 30V DC | 6 | 3 | 1.5 | 5 | 5 | 5 | | |
| | 125V DC | 0.4 | 0.4 | 0.4 | 0.05 | 0.05 | 0.05 | | |
| | 250V DC | 0.2 | 0.2 | 0.2 | 0.03 | 0.03 | 0.03 | | |
| | 125V DC | 0.5 | 0.5 | 0.5 | 0.05 | 0.05 | 0.05 | | |
| | 250V DC | 0.25 | 0.25 | 0.25 | 0.03 | 0.03 | 0.03 | | |

① Inductive load has a power factor of 0.04 minimum (AC) and a time constant of 7 m/second (DC).

② Lamp load has an inrush current of 6 times steady-state current.

Terminal Configurations



(Spade type not shown, available on some models)

Compact Prewired Limit Switches


Contents

Overview 1
 Specifications 1
 Model Selection 2
 Wiring Diagram 3
 Dimensions 3

The Cutler-Hammer® E47 Compact Prewired Limit Switch by Eaton's electrical business is designed to be a versatile, slim device for hard to fit applications where sealing integrity is required. The rugged die cast aluminum alloy housing, cable connection and switch mechanism are encapsulated for protection against extreme temperature (-10° to 70°C), contaminants, moisture, shock and vibration. This factory wired (3m) device has NEMA enclosure ratings of 4, 6 and 13, making it suitable for applications such as machine tool, food processing and packaging.

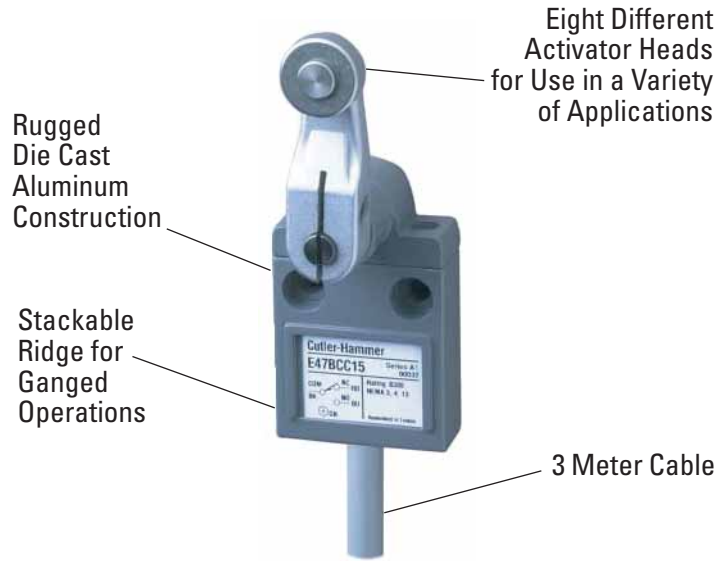
Ratings and Approvals

- cULus
- NEMA 4, 6 and 13
- IEC IP67



Unless otherwise noted, the products contained in this document are not designed or intended for use in human safety applications.

Rugged and Dependable Compact Limit Switch



Product Features

- Rugged aluminum alloy die cast housing
- Sealed construction with enclosure ratings of NEMA 4, 6 and 13
- Prewired with 3m of 18 AWG, AWM 2517, 300V cable
- Stackable ridge for ganged operation

Specifications — Maximum Ampere Rating

| Voltage | Non-inductive Load (A) | | Inductive Load (A) | | | | Inrush Current (A) | |
|---------|------------------------|------|--------------------|------|-------|------|--------------------|---------|
| | Resistive | | Inductive | | Motor | | N.C. | N.O. |
| | N.C. | N.O. | N.C. | N.O. | N.C. | N.O. | | |
| 125V AC | 5 | 5 | 3 | 3 | 2.5 | 1.3 | 20 Max. | 10 Max. |
| 250V AC | 5 | 5 | 2 | 2 | 1.5 | 0.8 | | |
| 8V DC | 5 | 5 | 5 | 4 | 1.5 | 1.5 | | |
| 14V DC | 5 | 5 | 4 | 4 | 1.5 | 1.5 | | |
| 30V DC | 4 | 4 | 3 | 3 | 1.5 | 1.5 | | |
| 125V DC | 0.4 | 0.4 | 0.4 | 0.4 | 0.05 | 0.05 | | |
| 250V DC | 0.2 | 0.2 | 0.2 | 0.2 | 0.03 | 0.03 | | |

NOTES: Inductive load ratings are tested at a power factor 0.4 min. for AC power and a time constant of 7 mS max. for DC power. Inrush current for motor load is 6 times the steady state current.

Specifications


| Description | Specification |
|-----------------------------|---|
| Contacts | 1-SPDT (Form C) |
| Mechanical Life | 10,000,000 operations |
| Electrical Life | 200,000 operations, 30 operation/min. at rated load |
| Operating Speed | 30 operations per minute maximum |
| Operating Temperature Range | -10° to +70°C (14° to 158°F) |
| Storage Temperature Range | -10° to 70°C (14° to 158°F) |
| Humidity | 95% maximum non-condensing |
| Vibration | Malfunction durability, 10 to 55 Hz 1.5 mm double amplitude |
| Shock | Malfunction durability, approximately 50G |
| Enclosure Ratings | NEMA 4, 6 and 13; IEC IP67 |

For Customer Service in the U.S. call **1-877-ETN CARE (386-2273)**,
 in Canada call **1-800-268-3578**.
 For Application Assistance in the U.S. and Canada
 call **1-800-426-9184**.

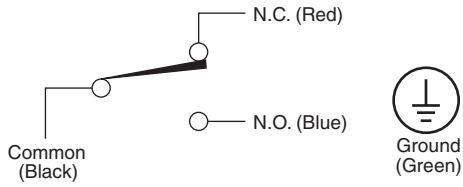
August 2007

Model Selection

| Actuator Type | Operating Force (Maximum) | Reset Force (Minimum) | Overtravel (Minimum) | Pre-travel | Movement Differential (Maximum) | Operating Position | Catalog Number |
|---|---------------------------|-----------------------|----------------------|--------------------|---------------------------------|--------------------------------|----------------|
|  Pin Plunger | 42.3 oz (1.2 kg) | 15.9 oz (450g) | 0.118 inch (3 mm) | 0.07 inch (1.8 mm) | 0.008 inch (0.2 mm) | 0.62 ± 0.04 inch (15.7 ± 1 mm) | E47BCC05 |
|  Sealed Plunger | 63.5 oz (1.8 kg) | 15.9 oz (450g) | 0.118 inch (3 mm) | 0.07 inch (1.8 mm) | 0.008 inch (0.2 mm) | 0.99 ± 0.04 inch (24.9 ± 1 mm) | E47BCC06 |
|  Roller Plunger | 42.3 oz (1.2 kg) | 15.9 oz (450g) | 0.118 inch (3 mm) | 0.07 inch (1.8 mm) | 0.008 inch (0.2 mm) | 1.12 ± 0.04 inch (28.5 ± 1 mm) | E47BCC07 |
|  Sealed Roller Plunger | 63.5 oz (1.8 kg) | 15.9 oz (450g) | 0.118 inch (3 mm) | 0.07 inch (1.8 mm) | 0.008 inch (0.2 mm) | 1.35 ± 0.04 inch (34.3 ± 1 mm) | E47BCC08 |
|  Cross Roller Plunger | 42.3 oz (1.2 kg) | 15.9 oz (450g) | 0.118 inch (3 mm) | 0.07 inch (1.8 mm) | 0.008 inch (0.2 mm) | 1.12 ± 0.04 inch (28.5 ± 1 mm) | E47BCC11 |
|  Sealed Cross Roller Plunger | 63.5 oz (1.8 kg) | 15.9 oz (450g) | 0.118 inch (3 mm) | 0.07 inch (1.8 mm) | 0.008 inch (0.2 mm) | 1.35 ± 0.04 inch (34.3 ± 1 mm) | E47BCC12 |
|  Bevel Plunger | 42.3 oz (1.2 kg) | 15.9 oz (450g) | 0.118 inch (3 mm) | 0.07 inch (1.8 mm) | 0.008 inch (0.2 mm) | 1.12 ± 0.04 inch (28.5 ± 1 mm) | E47BCC13 |
|  Roller Lever | 20.5 oz (580g) | 5.3 oz (150g) | 40° | 25° max. | 3° | — | E47BCC15 |
|  Wobble Stick | 5.3 oz (150g) | — | — | 15° max. | — | — | E47BCC20 |

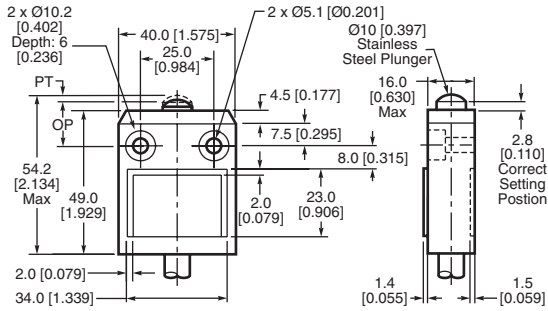
 Stocked product, typical order quantities guaranteed in stock.

Wiring Diagram

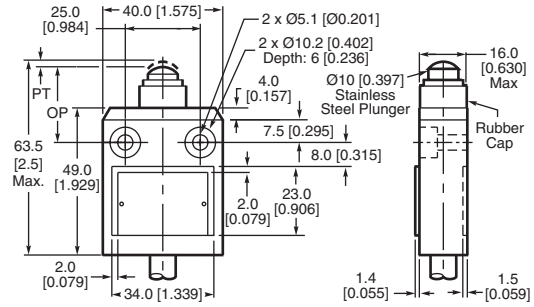


Approximate Dimensions in mm [Inches]

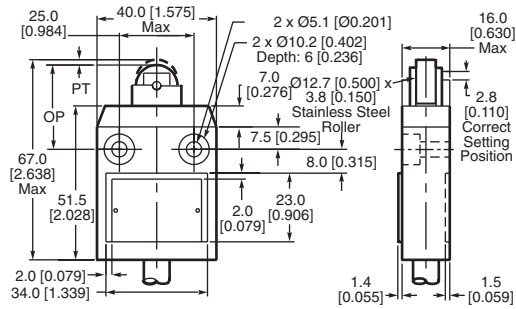
E47BCC05



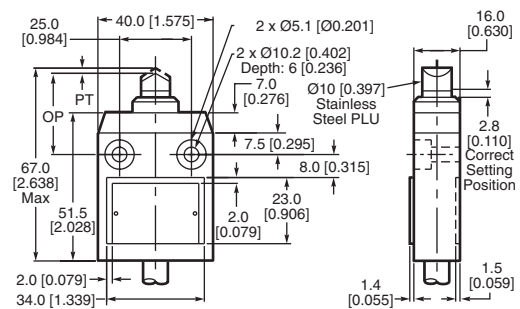
E47BCC06



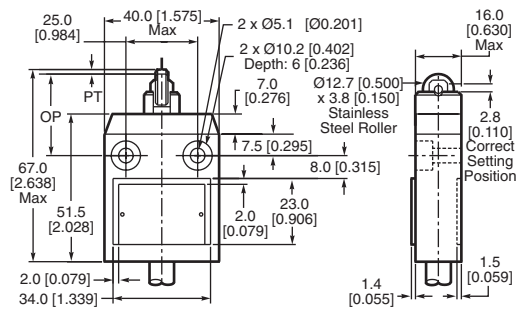
E47BCC07



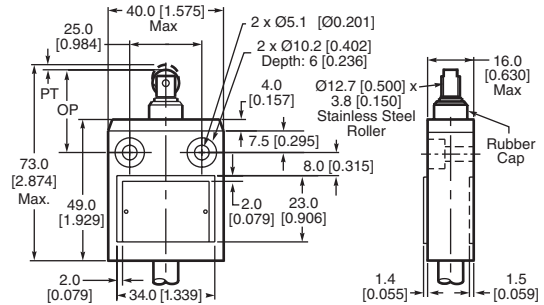
E47BCC13



E47BCC11

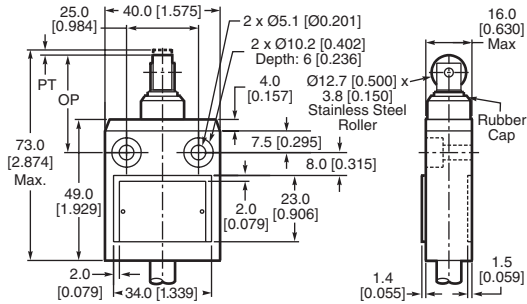


E47BCC08

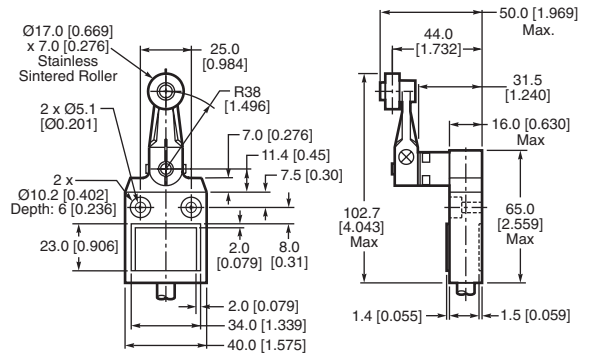


Approximate Dimensions in mm [Inches] (Continued)

E47BCC12



E47BCC15



E47BCC20

