

Standard Barrel Copper Lug

T&B Catalog Number:

54211

UPC Number:

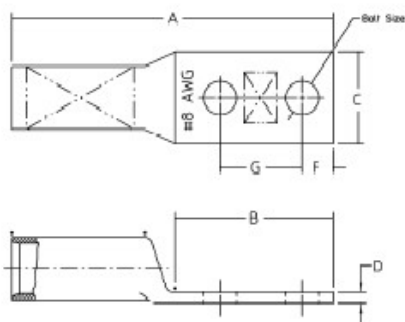
78621054211

Status:

Active

Description:

Copper Two-Hole Lug - Straight Standard Barrel - max 35KV, 3/0 AWG Wire, 3/8" Bolt Size, 1" Hole Spacing, Tin Plated with Inspection Hole, Orange 50



General

| | |
|-------------------|------------|
| Material | Copper |
| Finish | Tin Plated |
| Wire Size | 3/0 AWG |
| Number of Studs | 2 |
| Stud Size | 3/8 |
| Bolt Hole Spacing | 1 |
| Tongue Angle | Straight |
| Barrel Length | Standard |
| Barrel Shape | Standard |
| Tongue Width | Standard |
| Peep Hole | Y |
| Marking | Standard |
| Hole Shape | Round |
| Die Color | Orange |
| Die Code | 50 |

Dimension Information

| | |
|------------|-------|
| A (inches) | 2.938 |
| B (inches) | 1.813 |
| C (inches) | .938 |
| D (inches) | .141 |
| E (inches) | .625 |
| F (inches) | .375 |
| G (inches) | 1 |

Specifications

| | |
|----------------|--------------|
| Voltage Rating | 600V to 35KV |
|----------------|--------------|

Tooling

| | |
|---------------------------|----------------------|
| Connector & Tooling Chart | Available on Website |
|---------------------------|----------------------|

Packaging

| | |
|--------------------|-----------------|
| T&B Order Multiple | 10 |
| T&B Inner Pack | 10 |
| Package in Units | 100 |
| T&B Sold in UOM | Each |
| T&B Weight Per UOM | 11 lbs. per 100 |

Application Support

| | |
|------------------------|----------------------|
| T&B Instruction Sheets | ta00675-tb2 |
| Overview | Available on Website |

Notes

Dimensions given for reference only. Dimensions may vary up to .030.

Certifications

RoHS Compliance Yes

Certifications



File Nbr:
E9809

For further technical assistance, please contact us...

Thomas & Betts - USA
8155 T&B Blvd.
Memphis, TN 38125
www.tnb.com

T&B Technical Support
MS 3B-50
8155 T&B Blvd.
Memphis, TN 38125

Hours: 7AM - 6PM CDT
Monday-Friday
Phone: (888) 862-3289
Fax: (901) 252-1321
Email:techsupport@tnb.com