

Type: _____
 Project/Location: _____
 Contractor: _____
 Prepared By: _____
 Date: _____
 Model No.: _____

MQM-NX Series

NEMA-4X Certified Remote Fixture



FEATURES

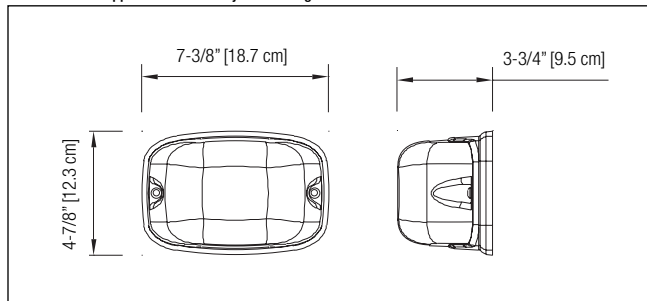
- Fully gasketed with a selection of Die-Cast aluminum or polycarbonate back plate
- Clear polycarbonate UV and impact resistant lens
- Choice of single or double lamp models
- Available in 6, 12 and 24V models MR16 or LED
- Easy lamp replacement
- Comes standard with tamper-proof screws and bit
- NSF Certified for food processing plants
- NEMA-4X Certified*
- Suitable for indoor/outdoor installation
- CSA Certified to C22.2 No. 141-15
- See warranty details at: www.tnb.ca/en/brands/lumacell
- For MQMP, units are NEMA-4X Certified when installed using a circular NEMA-4X rated junction box (sold separately by Thomas&Betts under P/N CE365D-CAR or CE365DW-CAR and with plugs P/N P7701W-CARI).

DIMENSIONS

NEMA-4X



Dimensions are approximate and subject to change.



IN THE SAME FAMILY:



- LER300 Series
Exit Sign
p. 65



- 3LER300 Series
Exit Sign
p. 67



- RG-NX NEMA 4X Series
Battery Unit
p. 116-117

ORDERING INFORMATION: MQMP

SERIES	LAMP TYPE/VOLTAGE/WATTAGE	COLOUR	OPTIONS
MQMP1NX= polycarbonate, one lamp MQMP2NX= polycarbonate, two lamps	LD1= MR16 LED, 6V-4W LD7= MR16 LED, 12V-4W LD9= MR16 LED, 12V-5W LD10= MR16 LED, 12V-6W LD13= MR16 LED, 24V-4W	6V6W= MR16 halogen, 6V-6W 6V10W= MR16 halogen, 6V-10W 12V12W= MR16 halogen, 12V-12W 24V12W= MR16 halogen, 24V-12W	Blank= factory white BK= black SG= grey *SM= surface mount* * Surface plastic junction box included

EXAMPLE: MQMP1NX6V6WBK

ORDERING INFORMATION: MQM

SERIES	LAMP TYPE/VOLTAGE/WATTAGE	COLOUR
MQM1NX= Die-Cast, one lamp MQM2NX= Die-Cast, two lamps	LD1= MR16 LED, 6V-4W LD7= MR16 LED, 12V-4W LD9= MR16 LED, 12V-5W LD10= MR16 LED, 12V-6W LD13= MR16 LED, 24V-4W LD14= MR16 LED, 24V-6W LD26= MR16 LED, 120V-4W	6V6W= MR16 halogen, 6V-6W 6V10W= MR16 halogen, 6V-10W 12V12W= MR16 halogen, 12V-12W 12V20WH= MR16-IR, 12V-20W, high output 24V12W= MR16 halogen, 24V -12W 24V20W= MR16 halogen, 24V-20W

EXAMPLE: MQM2NX12V20W

TYPICAL SPECIFICATIONS

Supply and install Lumacell® MQMP Series remote emergency lighting fixtures. These remote fixtures will consist of either single or double lamp configurations according to the design. These fixtures shall be fully gasketed with a UV resistant and fire retardant Die-Cast aluminum or polycarbonate back plate with a clear heavy-duty UV resistant polycarbonate light cover. The unit shall be equipped with two emergency heads with tool-less adjustable swivels (lamps of 12W or less). Units shall be NEMA-4X and NSF certified and specifically designed for high abuse areas, wet and cold weather locations, food processing plants as well in applications requiring a resistance to corrosive agents. The standard unit will come with stainless steel tamper-proof screws and bit.

The remote fixture shall be certified to CSA C22.2 No. 141-15. The head(s) shall be fully adjustable without tools and should be equipped with MR16 halogen lamp(s) of _____V _____W.

The remote fixtures shall be certified to CSA 22.2 No.141-15.

The remote unit shall be the Lumacell® model: _____.

REPLACEMENT LAMPS: MQMP

MODEL	LAMP TYPE	VOLTAGE/WATTAGE
580.0074-L	MR16 flood	6V-6W
580.0079-L	MR16 flood	6V-10W
580.0080-L	MR16 flood	12V-12W
580.0070-L	MR16 flood	24V-12W
580.0097-L	MR16 LED	6V-4W
580.0093-L	MR16 LED	12V-4W
580.0104-L	MR16 LED	12V-5W
580.0106-L	MR16 LED	12V-6W
580.0098-L	MR16 LED	24V-4W

See the complete list p. 152-154.

REPLACEMENT LAMPS: MQM

MODEL	LAMP TYPE	VOLTAGE/WATTAGE
580.0068-L	MR16 IR flood	12V-20W
580.0077-L	MR16 flood	24V-20W
580.0100-L	MR16 LED	24V-6W
580.0113-L	MR16 LED	120V-4W