

664 Series Floor Box

Multiple-Service Floor Boxes for Power, Communications and Data

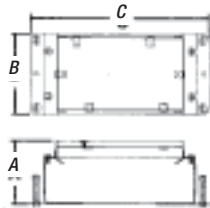


Multiple-service floor boxes deliver power, communications and data from standard conduit with no exposed service fittings. Result: Open office planning flexibility. Ideal for the modern office with workstations that have power, communications and data equipment. Power receptacles and low-voltage connections can be enclosed underfloor in either steel or cast-iron bodies. Galvanized 14-gauge steel boxes are provided with knockouts from 3/4" to 1-1/4". Cast-iron bodies have threaded openings for 3/4" and 1" conduit.

- Two-compartment boxes are available in three types: stamped steel (664-SC), shallow (664-S) and cast iron (664-CI).
- Durable nonmetallic covers include a steel reinforcement plate for added strength.
- New! Metallic covers in solid brass and aluminum provide aesthetics and durability.
- Four leveling screws enable quick leveling to desired **concrete** depth.
- Cover flange self-levels with the finished floor for easy installation.

Cat. No.	Description	Std. Ctn.
664-SC	Stamped-Steel Box which Accepts Two Plates, One Duplex Plate Provided	4
664-CI	Cast-Iron Box which Accepts Two Plates, One Duplex Plate Provided	4
664-S	Shallow Stamped-Steel Box which Accepts Two Plates, One Duplex Plate Provided	4

When ordering a 664 Series box, the cover must be ordered separately, see page 66. For communications accessories, see page 104.



664-CI



664-S



664-SC

Engineering Data — 664 Series

Cat. No.	Dimensions (in.)			Before Pour Adj. (in.)	After Pour Adj. (in.)	Maximum Capacity (cu. in.)	Standard Conduit Tapping	Maximum Conduit Tapping (in.)		Conduit KOS		Covers
	A	B	C					W/Bushing	W/O Bushing	Sides	Bottom	
664-SC	3-3/4	4-11/16	10-1/4	2-1/2	3/4	24 per gang 90 total	—	—	—	(4) 1" – 1-1/4" (4) 3/4"	None	664-CST Series
664-CI	3-3/4	5-3/32	9-15/16	2-1/2	3/4	24 per gang 90 total	(4) 3/4" (4) 1"	1	1-1/2	—	—	664-CST Series
664-S	2-7/8	4-11/18	10-1/4	1-1/2	3/4	16.5 per gang 70 total	—	—	—	(6) 3/4"	None	664-CST Series

Caution: When using the center side KOs, Catalogue Number 664-RP must be assembled to the box prior to installing the conduit.

Metallic Covers for 664 Series Floor Boxes



664-CST-SW-BRS
Solid Brass



664-CST-SW-ALM
Solid Aluminum



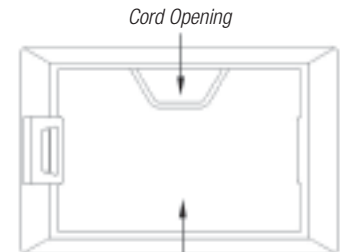
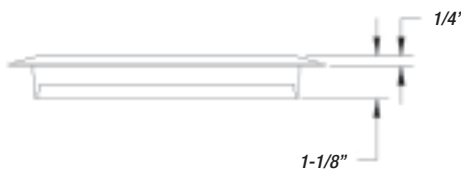
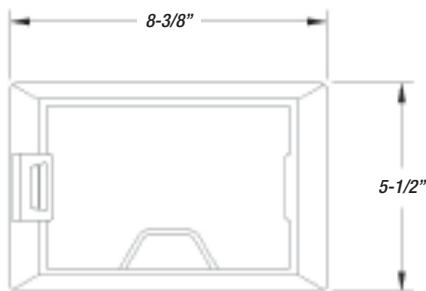
664-CI
Cast Iron for Slab or Grade Applications



664-S
For Shallow Concrete Applications



664-SC
Stamped Steel for General Purpose



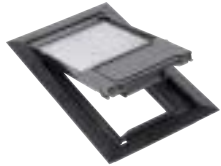
Lid Rotated 180° to expose Cord Opening.

MopTite™ Covers meet UL scrub-water exclusion requirements for carpet, tile and wood.



Cat. No.	Finish	Load Rating (lb.)	Std. Ctn.
664-CST-SW-BRS	Solid Brass	2,250	1
664-CST-SW-ALM	Solid Aluminum	2,250	1

Nonmetallic Covers for 664 Series Floor Boxes



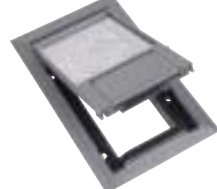
664-CST-SW-BLK



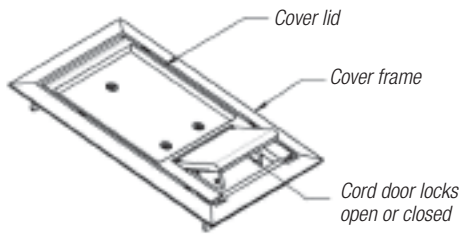
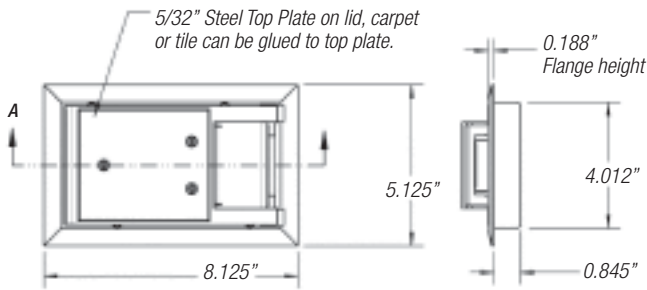
664-CST-SW-BRN



664-CST-SW-BGE



664-CST-SW-GRY



MopTite™ covers meet UL scrub-water exclusion requirements for carpet, tile and wood.



Cat. No.	Colour	Load Rating (lb.)	Std. Ctn.
664-CST-SW-GRY	Grey	1,500	1
664-CST-SW-BRN	Brown	1,500	1
664-CST-SW-BGE	Beige	1,500	1
664-CST-SW-BLK	Black	1,500	1

Material: Polycarbonate with 5/32" steel plate.
(see page 65 for metallic cover options)

Device Plates — 664-SC & 664-CI

- Duplex receptacle face plate for 664 Series floor box for additional power service.
- Does not include duplex.



664-BP



664-GP



664-RP



Cat. No.	Description	Std. Ctn.
664-BP	Blank Plate	4
664-GP	GFCI Receptacle Plate	4
664-RP	Duplex Receptacle Plate	4

Caution: When using the center side KOs, all 664 plates must be assembled to the box prior to installing the conduit.

Device Plates — 664-S



664-S-RP



664-S-BP



Cat. No.	Description	Std. Ctn.
664-S-RP	Duplex Receptacle Plate	4
664-S-BP	Blank Plate	4

Wire Tunnel for 664 Series

- Wire tunnel for protecting electrical connections between the two duplex receptacles when the box is used for power/power application.



664-WT

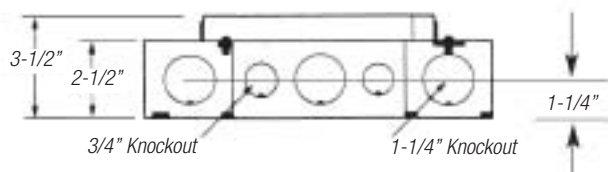
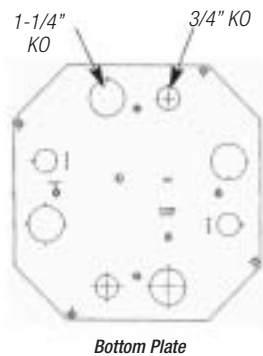
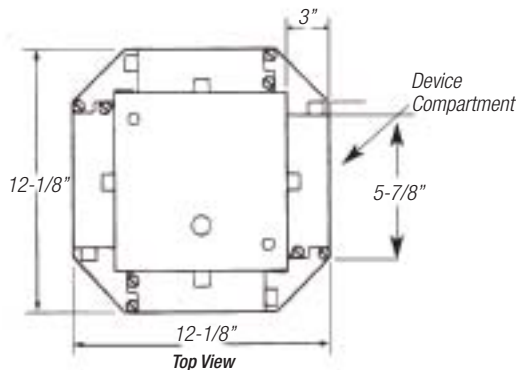
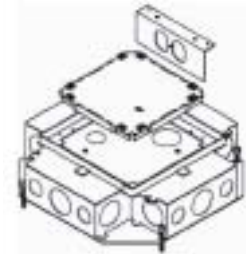


664-S-WT



Cat. No.	For Use With	Std. Ctn.
664-WT	664 and 664-CI Floor Boxes	4
664-S-WT	664-S Floor Box	4

665 Series Floor Boxes: 665-SC



• For concrete application.

- The 665 line is an extension of the industry-leading 664 Series; our concealed service line now allows the customer to install up to four device panels in one box.
- Through the use of a unique nonmetallic wire tunnel, the installer can easily partition the power, voice/data requirements.
- Four (4) device compartments can accommodate any combination of devices. For example: (3) duplex power devices and (1) duplex telephone device, or (2) voice and data connectors and (1) GFCI device and (1) blank, etc.
- Overall height of 3-1/2" allows for shallow pours when needed.
- High-Strength polycarbonate cover with a 5/32" steel plate assures structural integrity.
- Metallic Covers also available in solid brass and aluminum.
- Four-side feed-through allows installer to feed through power or data/comm service from any orientation.
- Nonmetallic wire tunnels aesthetically clean. Full-width tunnel provides maximum feed-through capacity; nonmetallic material prevents conductor damage.
- Total access area of 126 cu. in. allows for friendly installation of workstation cables.
- Contains 28 knockouts (16 – 1-1/4" and 12 – 3/4" KOs) that provide increased flexibility when installed.
- This CSA Listed, stamped-steel floor box can be installed with Thomas & Betts voice and data connector products.
- Four 2-1/2" levelling screws provided with all boxes.
- Device panels ordered separately.



Cat. No.	Device Compartments (in.)				Device Access Area	Std. Ctn.
	Length	Width	Height	Area		
665-SC	5-3/4	2-3/4	2-1/2	40 cu. in.	126 cu. in.	1

665-SC floor box does not include device plates or covers. Order separately.
Material: Pre-Galvanized Steel.

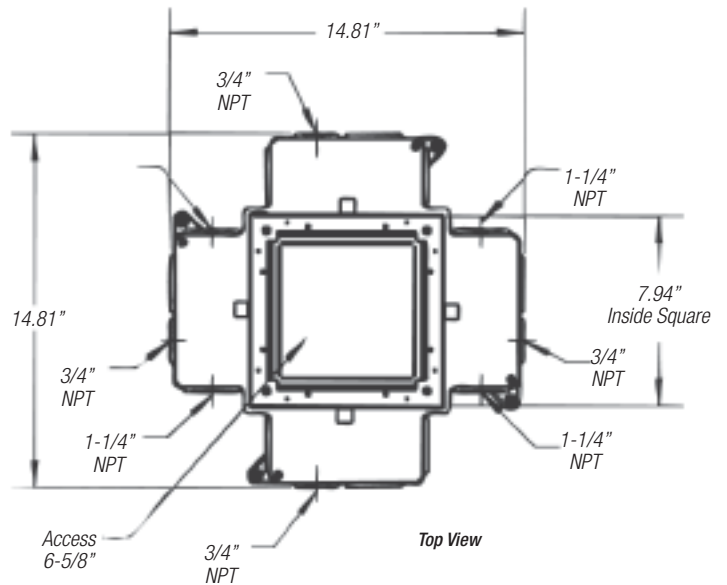
665 Series Floor Boxes: 665-CI

Cast Iron for Slab-On-Grade Applications



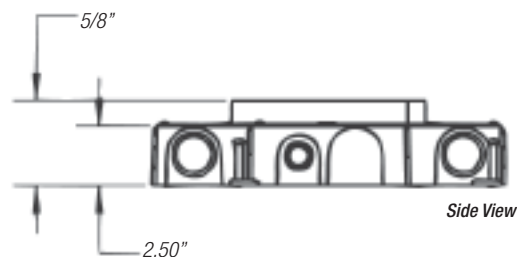
The new Steel City® 665 Cast Iron Floor Box provides a high-capacity power and data solution for ground-floor installations. This 4-gang recessed-service floor box is ideal for **concrete slab-on-grade applications**. Removable voltage dividers enable users to customize wiring configurations by feeding two or more adjacent compartments with a single conduit. Aesthetic covers feature a recess to accept floor covering to match the surrounding floor.

- 4-gang, recessed service for a high-capacity aesthetic floor-box solution.
- Removable voltage dividers between compartments enable a single conduit to feed two or more adjacent compartments.
- Heavy-duty, nonmetallic covers with steel-reinforcement plates are available in a wide variety of colours to match any decor (black, grey, brown and beige).
- Metallic Covers.
- Separate cord door in the cover latches firmly in the open position to prevent damage to cables.
- MopTite™ covers meet UL scrub-water exclusion requirements for carpet, tile and wood.
- Largest cubic-inch capacity of any cast iron recessed 4-gang floor box.
- Inline 1-1/4" hubs allow high-capacity straight runs for communication wiring.



Specifications

- Material: Box – Cast Iron
Cover – Polycarbonate with steel reinforcement plate.
- Listing: CSA and UL Listed.



Cat. No.	Device Compartments (in.)				Device Access Area	Std. Ctn.
	Length	Width	Height	Area		
665-CI	5-3/4	2-3/4	2-1/2	40 cu. in.	126 cu. in.	1

665-SC floor box does not include device plates or covers. Order separately.

665 Series Floor Boxes: 665-AV2

2 KOs for Audio Visual Applications



Decora® Adapters and Keystone Inserts for GFCI Device Plates.

- **For concrete application.**
- 2 KOs enable pre-terminated AV cables and connectors to be pulled directly through the conduit.
- Accepts standard 665 Series covers and device plates for power, voice, data and audio visual connections.
- **NEW!** Decora® style adapters allow voice, data and AV connectors to be mounted in a standard GFCI device plate.
- **NEW!** Keystone style voice, data and AV connectors meet a wide range of low-voltage applications. All connectors are recessed for flush mounting in floor box applications.
- **NEW!** Device plates are available that accept Extron® MAAP plates to accommodate any AV requirements (Extron® MAAP plates purchased from an authorized Extron distributor).
- **NEW!** Metallic covers provide a durable, aesthetic installation, including industry-exclusive solid brass covers (not painted or plated, aluminum also available).



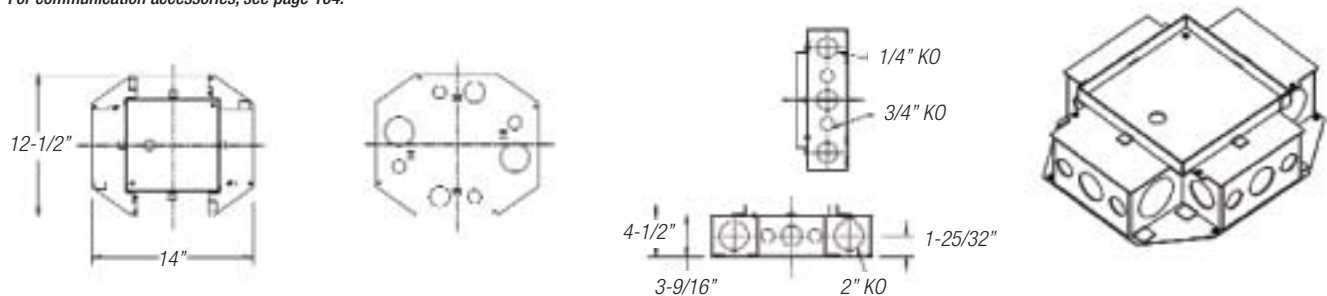
Cat. No.	Description	Std. Ctn.
665-AV2	4-Compartment Recessed Service Floor Box with 2" KOs for AV Applications	1

665-AV2 floor box does not include device plates or cover. Order separately. (see page 70).

Decora® is a registered trademark of Leviton Manufacturing Co., Inc.

Extron® is a registered trademark of RGB System, Inc.

For communication accessories, see page 104.



Engineering Data — 665-AV2

Cat. No.	Before Pour Adj. (in.)	After Pour Adj. (in.)	Compartment Size & Capacity (Qty. = 4)				Conduit KOs (in.)	
			Length (in.)	Width (in.)	Height (in.)	Volume	Sides	Bottom
665-AV2	2-1/2	3/4	5-3/4	3-3/4	3-3/8	72 cu. in.	(4) 2	(2) 2
			5-3/4	2-3/4	3-3/8	52 cu. in.	(8) 1-1/4 (8) 3/4	(2) 1-1/4 (4) 3/4

Metallic Covers for 665 Series Floor Boxes



665-CST-SW-BRS
Solid Brass



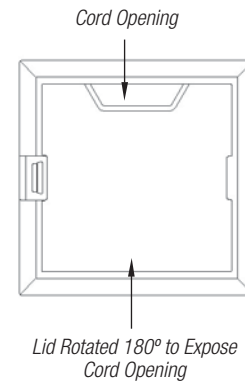
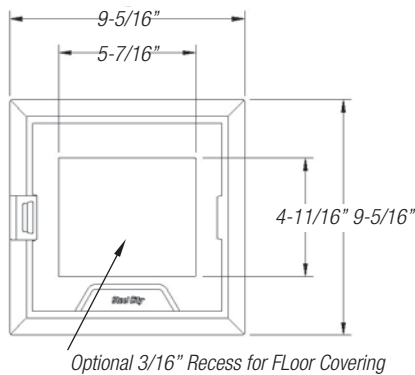
665-CST-SWR-BRS
Solid Brass with Recess for Floor Covering



665-CST-SW-ALM
Solid Aluminum



665-CST-SWR-ALM
Solid Alum. with Recess for Floor Covering



Cat. No.	Description	Load Rating (lb.)	Std. Ctn.
665-CST-SW-BRS	Solid Brass	1,500	1
665-CST-SWR-BRS	Solid Brass with Recess for Floor Covering	1,500	1
665-CST-SW-ALM	Solid Aluminum	1,500	1
665-CST-SWR-ALM	Solid Aluminum with Recess for Floor Covering	1,500	1

Nonmetallic Covers for 665 Series Floor Boxes



665-CST-SW-BLK
Black Nonmetallic Cover



665-CST-SW-GRY
Grey Nonmetallic Cover

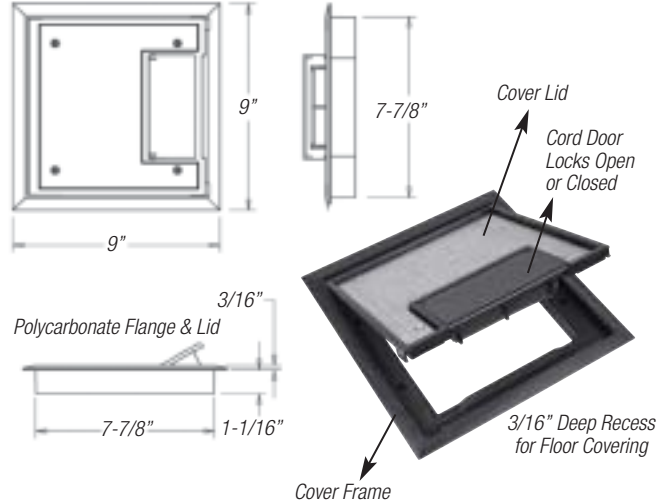


665-CST-SW-BGE
Beige Nonmetallic Cover



665-CST-SW-BRN
Brown Nonmetallic Cover

5/32" Steel Top Plate on Lid. Carpet or Tile can be glued to Top Plate



Cat. No.	Colour	Description	Std. Ctn.
665-CST-SW-BLK	Black	Nonmetallic Cover for 665 Series Floor Boxes	1
665-CST-SW-GRY	Grey		1
665-CST-SW-BGE	Beige		1
665-CST-SW-BRN	Brown		1

Material: Polycarbonate with 5/32" steel plate.
Furnished with (4) #8-32 x 5/8" mounting screws.
For color samples, contact your Regional Sales Office.

Devices Plates and Accessories for 665 Series Floor Boxes



665-RP
Duplex Plate



665-GP
GFCI Plate



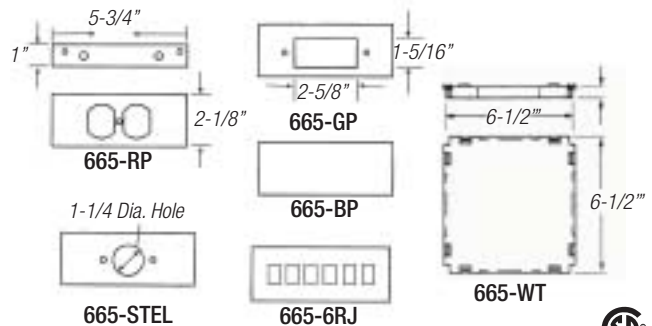
665-BP
Blank Plate



665-6RJ
Data Plate for 6
Keystone Jacks



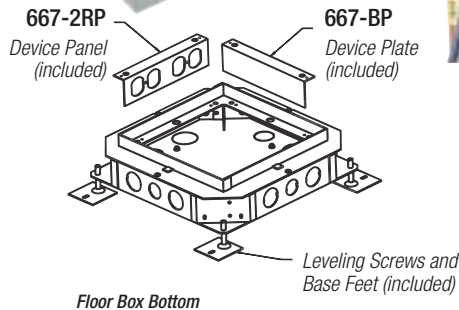
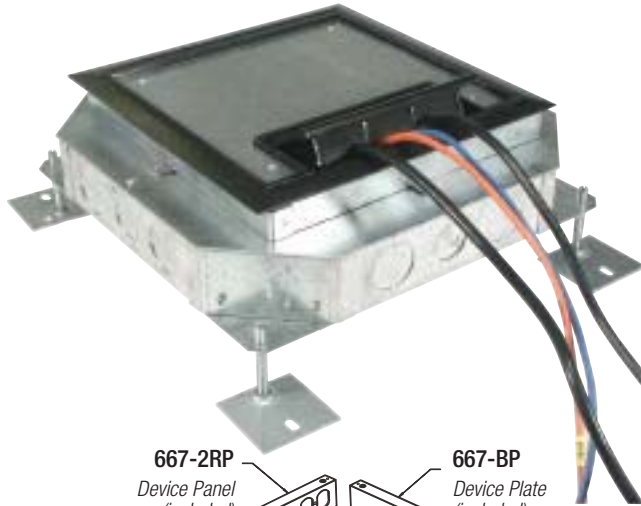
665-WT
Wire Tunnel for 665-AV2 feeds multiple compartments from a single conduit (one included with each 665-AV2)



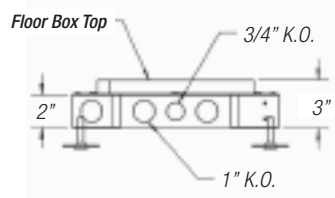
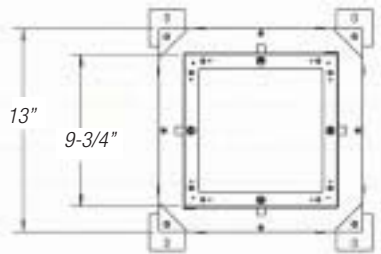
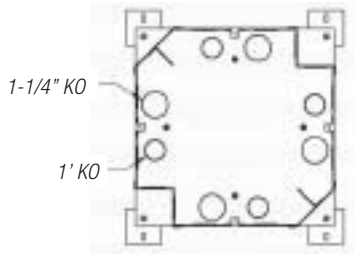
Cat. No.	Description	Std. Ctn.
665-RP	Duplex Plate for 665 Series	4
665-GP	GFCI Plate for 665 Series	4
665-BP	Blank Plate for 665 Series	4
665-6RJ	Data plate for 665 Series, Accepts 6 Keystone Jacks	4
665-WT	Replacement Wire Tunnel for 665-SC & 665-AV2	4
665-STEL*	Telephone/data Plate for 665	4

*CSA non applicable.
Each box requires (4) device plates. Material: Pre-galvanized steel.

667-SC Floor Box



Floor Box Bottom



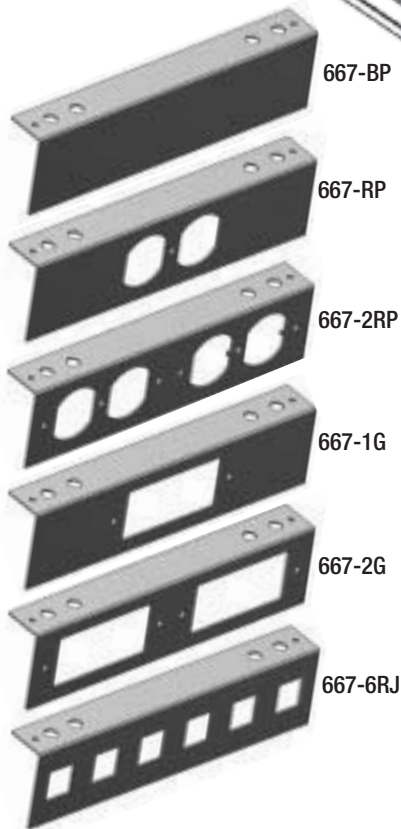
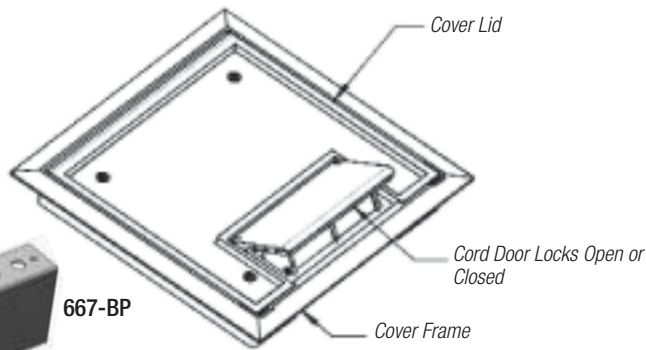
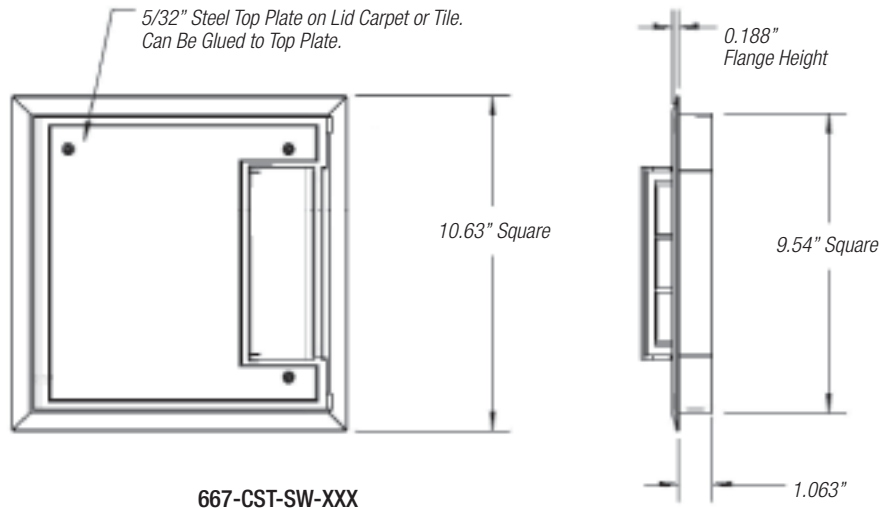
- **For concrete application.**
- Largest capacity concealed-service floor box on the market.
 - Four “double-gangs” allow for two duplex receptacles per gang, for a total of eight receptacles per box.
 - Each gang has 40 cu. in. of capacity.
 - Box interior has 128 cu. in. of capacity.
- Standard box configuration is for up to eight power and/or low-voltage devices.
 - Box design allows for feed-through cabling for power and low-voltage conductors.
- Shallow design.
 - 3” overall height is ideal for renovations and upper level floor installations.
- Full line of low-profile covers.
 - Utilizes same quality cover as AFM-8 Access Floor Module.
 - High-strength polycarbonate.
 - Steel reinforced for added durability.
 - Two receptacle cable exit ports.
 - 64 sq. in. opening provides easy access to device panels.
 - 1/4” recess for carpet/tile insert.
 - Available in grey, black, brown and beige.
- Box is manufactured with (1) 3/4”, (3) 1” and (1) 1-1/4” KOs per gang.– This includes a 1” and 1-1/4 KO located in the bottom.
- Full complement of device panels.
 - Device panels available with one or two duplex openings, one or two GFCI openings, six standard “keystone” with Omni 110 bezels and blanks.
- Provided with leveling legs and base feet.
 - Base feet can be attached to form preventing box movement during concrete pour.
 - Leveling legs provide up to 1-1/2” pre-pour adjustment.
- Manufactured from 14-gauge pre-galvanized steel.
 - Quality construction provides added durability and rust protection.
- MopTite™ covers meet UL scrub-water exclusion requirements for carpet, tile and wood.



Cat. No.	Description	Std. Ctn.
667-SC	Four-Gang Recessed Floor Box	4

Supplied with (1) 667-2RP for 2 duplex receptacles and (1) 667-BP Blank Plate. For covers and other device plates, see page 73.
For communications accessories, see page 104.

Recessed Service Floor Boxes



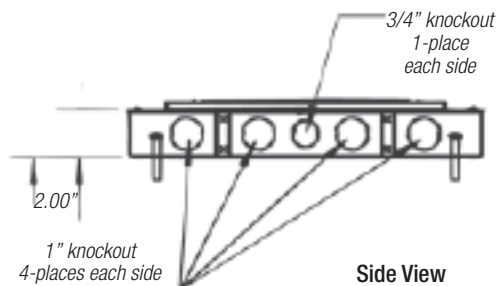
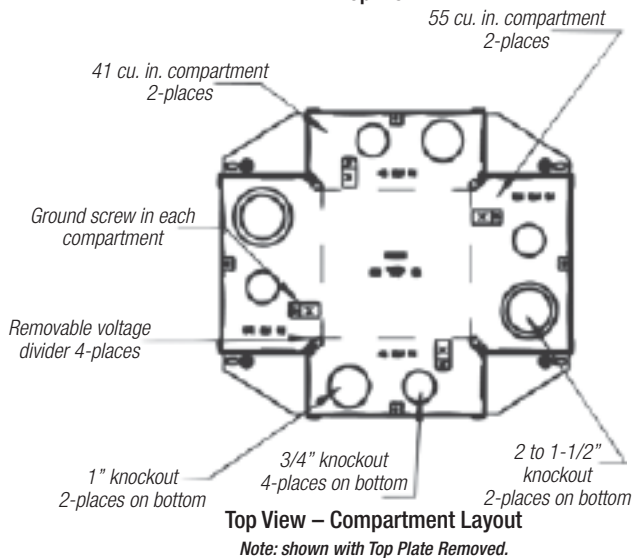
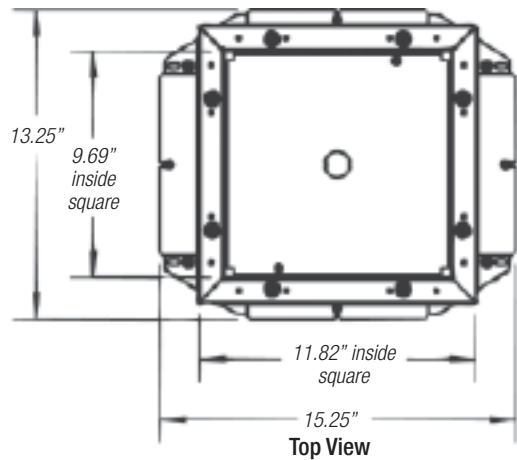
Cat. No.	Description	Std. Ctn.
667-BP*	Blank Device Panel	4
667-RP*	Single Duplex Receptacle Plate	4
667-2RP*	Device Panel for 2 Duplex Receptacles with Duplex KOs	4
667-1G	Device Panel for 1 GFCI Receptacle	4
667-2G	Device Panel for 2 GFCI Receptacles	4
667-6RJ**	Device Panel for 6 Keystone Data Jacks	4
667-CST-SW-GRY*	Cover and Flange – Grey	4
667-CST-SW-BLK*	Cover and Flange – Black	4
667-CST-SW-BRN*	Cover and Flange – Brown	4
667-CST-SW-BGE*	Cover and Flange – Beige	4

*Not CSA Certified.

**For data connectors and adapters, see pages 108 – 109.

New MapTite™ Covers exceed UL scrub-water exclusion requirements.

668-S Ultra-Shallow Floor Box



The new 668-S Ultra-Shallow Floor Box from Thomas & Betts provides a high-capacity power and data solution for shallow **concrete floors**. The low-profile 4-gang box is constructed of galvanized stamped steel. Removable voltage dividers enable users to customize wiring configurations by feeding two or more adjacent compartments with a single conduit. Metallic covers with durable powder-coat finish are designed to match any decor, while optional edge trims enable covers to be mounted completely flush with the floor in tile or wood floor applications.

- Low profile (2-1/2" height) for shallow concrete pours.
- 4-gang, recessed service for a high-capacity, aesthetic floor box solution.
- Stamped-steel box construction.
- Removable voltage dividers between compartments enable a single conduit to feed two or more adjacent compartments.
- Metallic covers feature durable powder-coat paint to match any decor (black, grey, brown and beige).
- Heavy-duty cord door in the cover latches firmly in the open position to prevent damage to cables.
- Optional tile trim enables flush mounting for tile and wood floor applications.
- MopTite™ covers meet UL scrub-water exclusion requirements for carpet, tile and wood.
- Largest cubic-inch capacity of any shallow, recessed 4-gang floor box.
- Additional KOs (up to 2") on the bottom of the box enable installation flexibility.
- Custom device panels are available – contact your Regional Sales Office about these offerings.

Specifications

- Material: Box – Galvanized Steel
Cover – Die-Cast Zinc.
- Listing: CSA and UL Listed.

Cat. No.	Description	Std. Ctn.
668-S	Shallow, concealed service Floor Boxes	4

For covers and other device plates, see page 75.
For communications accessories, see page 104.



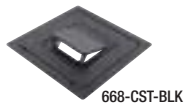
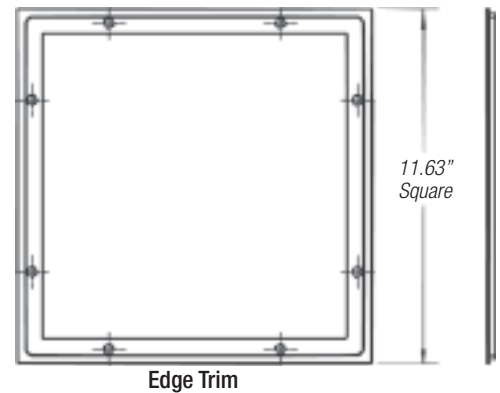
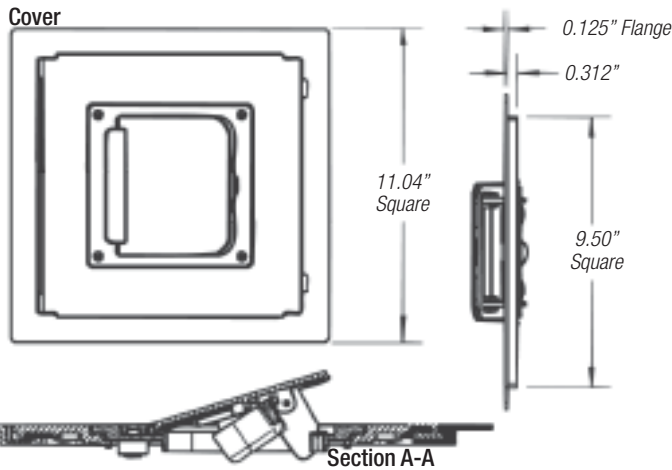
Covers & Tile Trims for 668-S Floor Box



Standard mounting configuration: Flange on cover overlaps carpet, tile or wood floors.



Flush mounting configuration. Optional trim ring allows cover to be mounted flush with tile or wood floors.



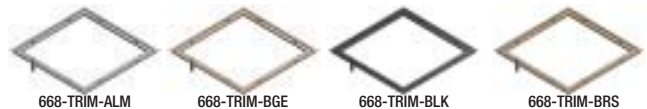
668-CST-BLK



668-CST-BRS



Cat. No.	Description	Std. Ctn.
668-CST-ALM	Metal Cover – Aluminum Powder Coat	1
668-CST-BRS	Metal Cover – Brass Powder Coat	1
668-CST-BLK	Metal Cover – Black Powder Coat	1
668-CST-BRN	Metal Cover – Brown Powder Coat	1
668-CST-BGE	Metal Cover – Beige Powder Coat	1



Cat. No.	Description	Std. Ctn.
668-TRIM-ALM	Edge Trim – Aluminum Powder Coat	4
668-TRIM-BRS	Edge Trim – Brass Powder Coat	4
668-TRIM-BLK	Edge Trim – Black Powder Coat	4
668-TRIM-BRN	Edge Trim – Brown Powder Coat	4
668-TRIM-BGE	Edge Trim – Beige Powder Coat	4

CSA non applicable.

Device Plates for 668-S Floor Box



668-S-1RP



668-S-1G



668-S-BP



Cat. No.	Description	Std. Ctn.
668-S-1RP	Single-Gang Duplex Plate	1
668-S-1G	Single-Gang GFCI Plate	1
668-S-BP	Blank Plate	1



668-S-6RJ



668-S-6PAN



668-S-6ORT



668-S-6AVA

Cat. No.	Description	Std. Ctn.
668-S-6RJ	Data Plate – 6 Keystone Jacks	1
668-S-6PAN	Data Plate – 6 Panduit® Jacks	1
668-S-6ORT	Data Plate – 6 Ortonics® Jacks	4
668-S-6AVA	Data Plate – 6 Avaya® Jacks	4

CSA non applicable.