

D3PR/DP3F Series — Standard and Full Featured

Table 49-56. Relay Specifications

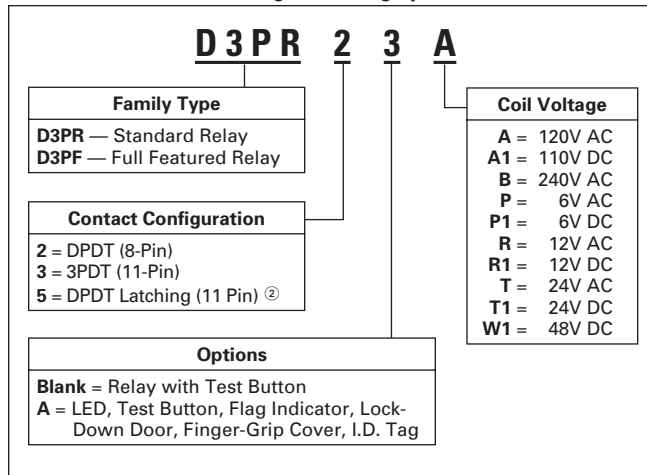
	D3PR2/D3PR3	D3PR2/D3PR3	D3PF2/D3PF3	D3PR5	D3PR5
	Resistive Load (p.f. = 1)	Inductive Load (p.f. = 0.4, L/R = 7 ms)	Resistive Load (p.f. = 1.0)	Resistive Load (p.f. = 1)	Inductive Load (p.f. = 0.4, L/R = 7 ms)
Rated Load	240V AC 10A 120V AC 12A 28V DC 10A	240V AC 7A 120V AC 7A 28V DC 7A	240V AC 12A 120V AC 12A 28V DC 12A	240V AC 10A 120V AC 12A 30V DC 10A	240V AC 7A 120V AC 7A 30V DC 7A
Carry Current	10A	10A	12 Amps	10A	10A
Max. Operating Voltage	240V AC/DC	240V AC/DC	110% of nominal	240V AC/DC	240V AC/DC
Contact Resistance	50 milli Ω 's Max. @ 10 Amps 120V AC or 24V DC	50 milli Ω 's Max. @ 10 Amps 120V AC or 24V DC	50 milli Ω 's Max. @ 10 Amps 120V AC or 24V DC	50 milli Ω 's Max. @ 10 Amps 120V AC or 24V DC	50 milli Ω 's Max. @ 10 Amps 120V AC or 24V DC
Dielectric Strength	1500V	1500V	1500V	1500V	1500V
Approx. Weight	3.5 oz (99.2g)	3.5 oz (99.2g)	3.1 oz (88g)	3.5 oz (99.2g)	3.5 oz (99.2g)
Temperature — Operating	-49 – 131°F (-45 – 55°C) AC -49 – 158°F (-45 – 70°C) DC	-49 – 131°F (-45 – 55°C) AC -49 – 158°F (-45 – 70°C) DC	-22 – 122°F (-30 – 50°C)	-49 – 131°F (-45 – 55°C) AC -49 – 158°F (-45 – 70°C) DC	-49 – 131°F (-45 – 55°C) AC -49 – 158°F (-45 – 70°C) DC
Storage	-40 – 221°F (-40 – 105°C)	-40 – 221°F (-40 – 105°C)	-22 – 212°F (-30 – 100°C)	-40 – 221°F (-40 – 105°C)	-40 – 221°F (-40 – 105°C)
Contact Material	AgCdO (Au Flashed)	AgCdO (Au Flashed)	AgCdO (Au Flashed)	AgCdO (Au Flashed)	AgCdO (Au Flashed)
Max. Switching Capacity	2500 VA 280W	1750 VA 196W	12 Amps	1100 VA 72W	440 VA 60W
Min. Permissible Load	100 mA @ 12V	100 mA @ 12V	100 mA	100 mA @ 12V	100 mA @ 12V
Pickup Voltage (max.)	80%	80%	85% AC; 80% DC	—	—
Drop Out Voltage (min.)	10%	10%	30% AC 10% DC	—	—
Set/Reset Voltage (max.)	—	—	—	80%	80%
Voltage (max.)	110%	110%	110%	110%	110%
Mechanical Life (min.)	10,000,000	10,000,000	5 million (No Load)	10,000,000	10,000,000
Electrical Life @ All Contact Ratings (min.)	100,000	100,000	200,000 operations at Rated Res. Load	100,000	100,000
Maximum hp Ratings	1/3 hp (120V AC) 1/2 hp (240V AC)	1/3 hp (120V AC) 1/2 hp (240V AC)	1/3 hp, 120V AC 1/2 hp, 240V AC	1/3 hp (120V AC) 1/2 hp (240V AC)	1/3 hp (120V AC) 1/2 hp (240V AC)

Table 49-57. Socket Specifications

Catalog Number	Electrical Ratings	Mounting Torque	Hook-Up Wire Range
D3PA2	10A, 600V 15A, 300V	8 – 10 in-lbs	AWG 12 to 22 Solid or Stranded
D3PA3-A2	5A, 600V 15A, 300V	8 – 10 in-lbs	AWG 12 to 22 Solid or Stranded
D3PA6	5A, 600V 16A, 300V	8 – 10 in-lbs	AWG 12 to 20 Solid or Stranded
D3PA7	5A, 600V 16A, 300V	8 – 10 in-lbs	AWG 12 to 20 Solid or Stranded
D3PA4	10A, 260V	N/A	AWG 14 Max.
D3PA5	10A, 260V	N/A	AWG 14 Max.

Catalog Number Structure

Table 49-58. D3 Series Catalog Numbering System ①



① For deciphering Catalog Numbers. Do not use for ordering as not all combinations are readily available.

② D3PR only.

Table 49-59. Relay/Socket Quick Reference

Relay Type	Socket Type	Socket	Hold Down Spring/Clip
D3PR2	8 Pin Octal	D3PA2 D3PA4 D3PA6	PQC-1344 Not Available PQC-1332
D3PF2	8 Pin Octal	D3PA2	PQC-1344
	8 Pin Octal — Finger-safe terminals	D3PA6	PQC-1332
D3PR3	11 Pin Octal	D3PA3-A2 D3PA5 D3PA7	PQC-1351 Not Available PQC-1332
D3PF3	11 Pin Octal	D3PA3-A2	PQC-1351
	11 Pin Octal — Finger-safe terminals	D3PA7	PQC-1332
D3PR5	11 Pin Octal	D3PA3-A2 D3PA5 D3PA7	PQC-1351 Not Available PQC-1332

Product Selection

Table 49-60. D3 Product Selection ③

	Std. Pack	Catalog Number	Price U.S. \$
Standard DPDT with Test Button			
Coil Voltage:			
12V AC	1	D3PR2R	
24V AC	1	D3PR2T	
120V AC	1	D3PR2A	
240V AC	1	D3PR2B	
12V DC	1	D3PR2R1	
24V DC	1	D3PR2T1	
110V DC	1	D3PR2A1	
DPDT Full Featured Relay			
24V AC	1	D3PF2AT	
120V AC	1	D3PF2AA	
240V AC	1	D3PF2AB	
12V DC	1	D3PF2AR1	
24V DC	1	D3PF2AT1	
110V DC	1	D3PF2AA1	
Standard 3PDT with Test Button			
Coil Voltage:			
24V AC	1	D3PR3T	
120V AC	1	D3PR3A	
240V AC	1	D3PR3B	
12V DC	1	D3PR3R1	
24V DC	1	D3PR3T1	
110V DC	1	D3PR3A1	
3PDT Full Featured Relay			
24V AC	1	D3PF3AT	
120V AC	1	D3PF3AA	
240V AC	1	D3PF3AB	
24V DC	1	D3PF3AT1	
110V DC	1	D3PF3AA1	
DPDT Latching ⑤			
24V AC	1	D3PR5T	
120V AC	1	D3PR5A	
DIN Rail Sockets			
2-Pole (8-Pin)	10	D3PA2	
2-Pole (8-Pin) Finger-Safe ⑥	1	D3PA6	
3-Pole (11-Pin)	10	D3PA3	
3-Pole (11-Pin) Finger-Safe ⑥	1	D3PA7	
Panel Mount Sockets			
2-Pole	10	D3PA4	
3-Pole	10	D3PA5	
Accessories			
Hold Down Clip	10	PQC-1344	
Hold Down Clip	25	PQC-1332	
Hold Down Clip	10	PQC-1351	
Hold Down Clip	100	PWC-1325	
Coil Buss Jumper for D3PA6 & D3PA7	25	D3PJ1	
DIN Rail End Stop ④	100	PFP-M	

③ Additional coil voltages available — consult Sales Office or Customer Support Center.

④ Dimensions on **Page 49-49**.

⑤ CSA approval is not applicable to D3PR5 Latching Relays.

⑥ IP20 Rated.

Dimensions

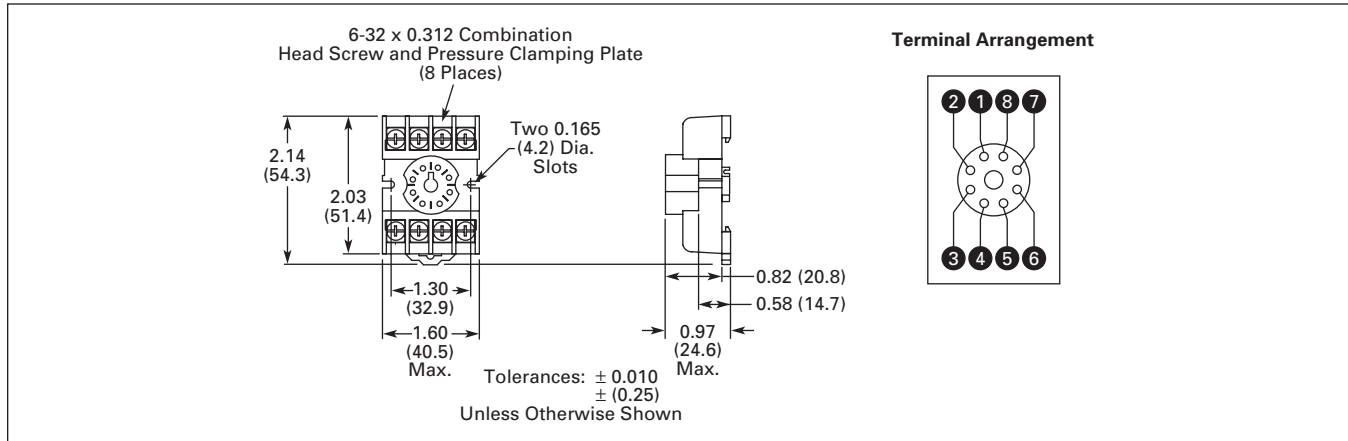


Figure 49-49. D3PA2 — Approximate Dimensions in Inches (mm)

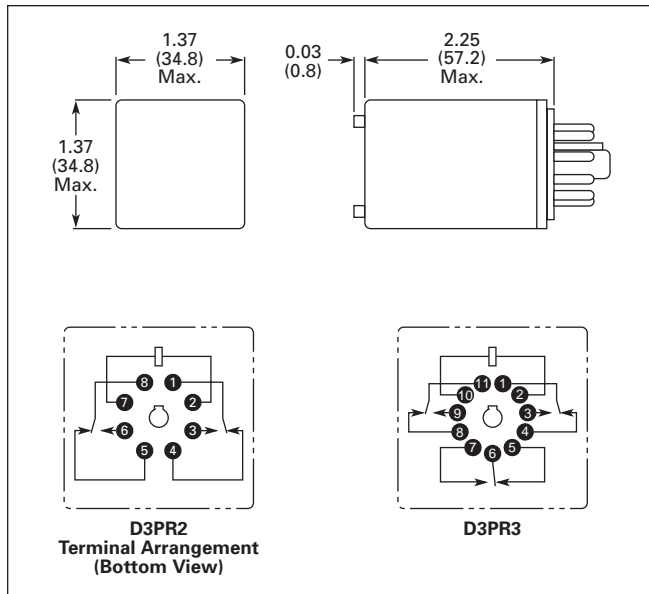


Figure 49-50. D3PR2/D3PR3 — Approximate Dimensions in Inches (mm)

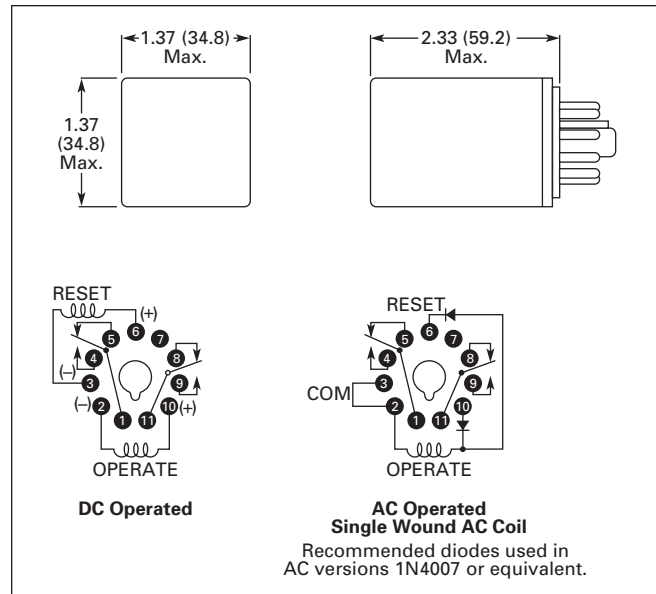


Figure 49-51. D3PR5 — Approximate Dimensions in Inches (mm)

49

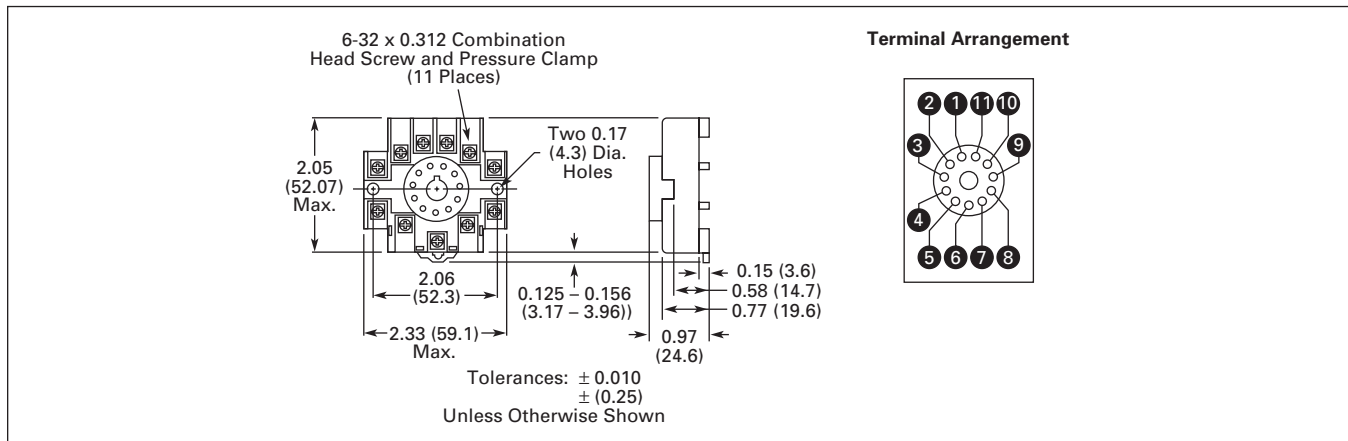


Figure 49-52. D3PA3-A2 — Approximate Dimensions in Inches (mm)