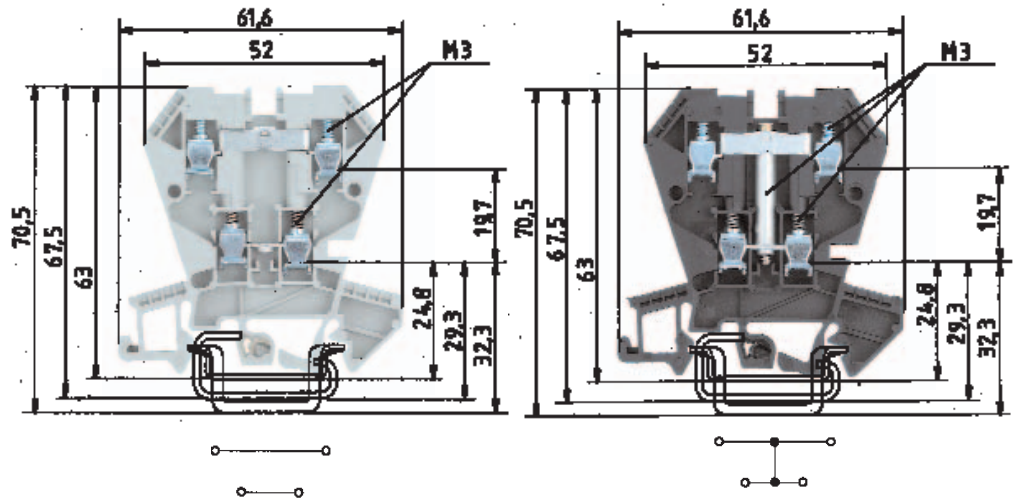


Multi-tier blocks type WK 4 E...

selos



0344 Ex II 2GD

EEx ell

EN 60 947-7-1/DIN VDE 0611 T1

EN 60 947-7-2/DIN VDE 0611 T3

UL ratings field/factory wiring

CSA ratings

KEMA 02 ATEX 2114 U¹⁾ EN 50019/EN 50014

Width Wire strip length

Approvals

WK 4 E/U

fine-stranded	solid	V	A
0.5 – 4 mm ²	0.5 – 4 mm ²	400 V/6 kV/3 ³⁾	32
No. 22-10 AWG		300 V	20
No. 20-12 AWG		300 V	10
0.5 – 4 mm ²	0.5 – 4 mm ²	275 V	24/24 ²⁾
6 mm			9 mm



WK 4 E/U /VB

fine-stranded	solid	V	A
0.5 – 4 mm ²	0.5 – 4 mm ²	400 V/6 kV/3	32
No. 22-10 AWG		300 V	20
No. 20-12 AWG		300 V	10
6 mm			9 mm



	Type	Part No.	Std. Pack	Type	Part No.	Std. Pack
Multi-tier block gray	WK 4 E/U	57.404.7055.0	100			
Multi-tier block black				WK 4 E/U/VB SCHWARZ	57.404.6955.1	100
Multi-tier block with inverted diode orange						
Multi-tier block red						
Ground block green/yellow						
Accessories						
1. Mounting rail TS 35, DIN rail 7.5 mm high L = 2 m	35 x 27 x 7,5 EN 60715	98.300.0000.0	1	35 x 27 x 7,5 EN 60715	98.300.0000.0	1
Mounting rail TS 35, DIN rail, 15 mm high L = 2 m	35 x 24 x 15 EN 60715	98.360.0000.0	1	35 x 24 x 15 EN 60715	98.360.0000.0	1
Mounting rail TS 32, G rail* L = 2 m	9006 EN 60715 G-32	98.190.0000.0	1	9006 EN 60715 G-32	98.190.0000.0	1
2. End clamp with U-foot* 10 mm wide	WE 1/U	Z5.523.5753.0	100	WE 1/U	Z5.523.5753.0	100
End clamp TS 35, with screw 8 mm wide	9708/2 S 35	Z5.522.8553.0	100	9708/2 S 35	Z5.522.8553.0	100
End clamp TS 32, with screw* 7.5 mm wide	9708	Z5.522.7053.0	100	9708	Z5.522.7053.0	100
3. End plate, 1.5 mm thick gray	AP 4 E	07.311.4055.0	10	AP 4 E	07.311.4055.0	10
4. Partition, 1.5 mm thick gray	TW 4 E	07.311.5055.0	10	TW 4 E	07.311.5055.0	10
5. Cross connector with screws, E-Cu						
uninsulated for top tier 2 pole	9215-2	Z7.210.3227.0	50	9215-2	07.210.3227.0	1
3 pole	9215-3	Z7.210.3327.0	50	9215-3	07.210.3327.0	1
to 6 pole	9215-6	Z7.210.3627.0	50	9215-6	07.210.3627.0	1
6. Jumper comb for lower tier block						
angled, 1 mm thick insulation 2 pole	IVBS WK 4 E-2	Z7.256.4227.0	10	IVBS WK 4 E-2	Z7.256.4227.0	10
to 6 pole	IVBS WK 4 E-6	Z7.256.4627.0	10	IVBS WK 4 E-6	Z7.256.4627.0	10
Jumper comb for lower tier block						
straight, 1 mm thick insulated 2 pole	IVB WK 4 E-2	Z7.255.2227.0	10	IVB WK 4 E-2	Z7.255.2227.0	10
to 6 pole	IVB WK 4 E-6	Z7.255.2627.0	10	IVB WK 4 E-6	Z7.255.2627.0	10
7. Single cover for cross conn. with marking facility	AD VB 4/15 GELB	04.326.2953.8	10			
8. Snap-in partition plate with marking facility						
9. Cover strip for cross conn. over 10 blocks	AD VB 6/10 E GELB	04.342.2656.8	10	AD VB 6/10 E GELB	04.342.2656.8	10
Cover strip with warning symbol over 4 blocks						
For more accessories see pages 216-229 and 238-243						
For marking systems see pages 230-237						

¹⁾ Please note the mounting instructions on page 126.

²⁾ with/without jumper

³⁾ With end plates 500 V/6 kV/3

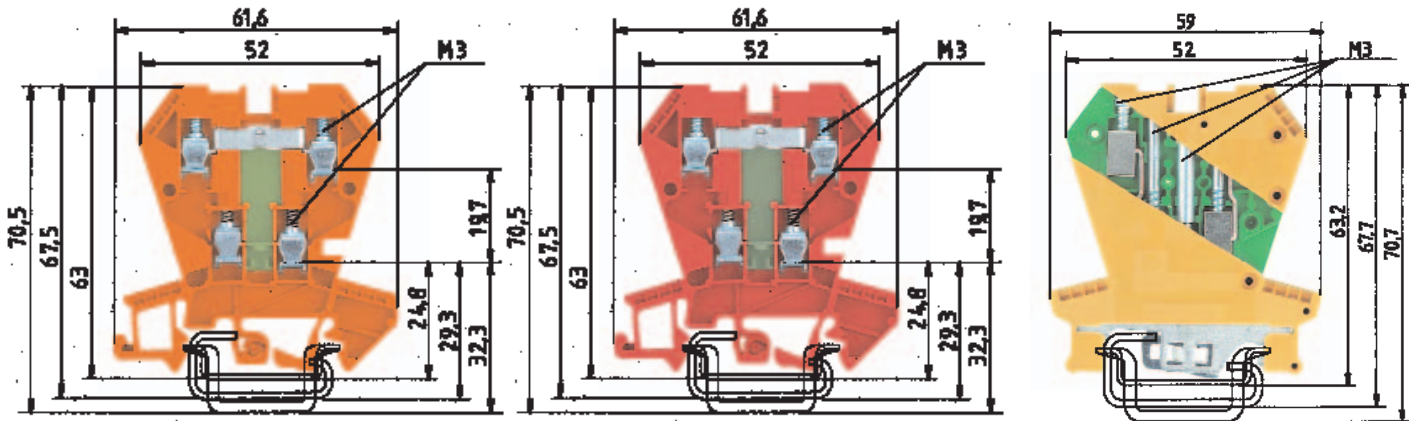
⁴⁾ Ratings to adjacent feed-through blocks of the same series and size

⁵⁾ For the current carrying capability of the mounting rail see section **facts** + DATA

* Do not use in Ex environments.

Multi-tier blocks type WK 4 E...

selos



enclosed design

WK 4 E/U...

fine-stranded solid V A
0.5–4 mm² 0.5–4 mm²

No. 22-10 AWG
No. 20-12 AWG

6 mm 9 mm



WK 4 E SL/U

fine-stranded solid V A

0.5–4 mm² 0.5–6 mm² 500 V/6 kV/3⁴) 5)

No. 22-12 AWG
No. 22-10 AWG
0.5–4 mm² 0.5–6 mm²
6.2 mm 9 mm



Type	Part No.	Std. Pack		Type	Part No.	Std. Pack
			57.404.8355.5		400 V	
WK 4 E/U...	57.404.XX55.9	100	57.404.8055.9		1 A/1000 V	
WK 4 E/U...	57.404.XX55.5	100	with inverted diode			
			57.404.8255.5		400 V	
			57.404.8155.9		1 A/1000 V	
			with inverted diode			
35 x 27 x 7,5 EN 60715	98.300.0000.0	1	57.404.7255.5 LED red		24 V DC R = 2.2 K 0.35 W	
35 x 24 x 15 EN 60715	98.360.0000.0	1	57.404.8755.5 LED green			
9006 EN 60715 G-32	98.190.0000.0	1				
WE 1/U	Z5.523.5753.0	100	57.404.7455.9 LED red		24 V DC R = 2.2 K 0.35 W	
9708/2 S 35	Z5.522.8553.0	100				
9708	Z5.522.7053.0	100				
AP 4 E	07.311.4055.0	10				
TW 4 E	07.311.5055.0	10				
			57.404.7955.5			
			57.404.8855.9		1 A/400 V	
			with inverted diodes			
IVBS WK 4 E-2	Z7.256.4227.0	10	57.404.8455.5		42 V AC 1 A/1000 V R = 6.8 K 0.6 W	
IVBS WK 4 E-6	Z7.256.4627.0	10				
IVB WK 4 E-2	Z7.255.2227.0	10				
IVB WK 4 E-6	Z7.255.2627.0	10	57.404.6255.9		24 V DC 1 A R = 2.2 K 0.35 W	