



# SOLID /SLOTTED DUCT DIVIDER WALL AND MOUNTING DISCS

FOR USE WITH  
**PANDUCT**  
TYPES F, G, FS,  
AND D DUCT

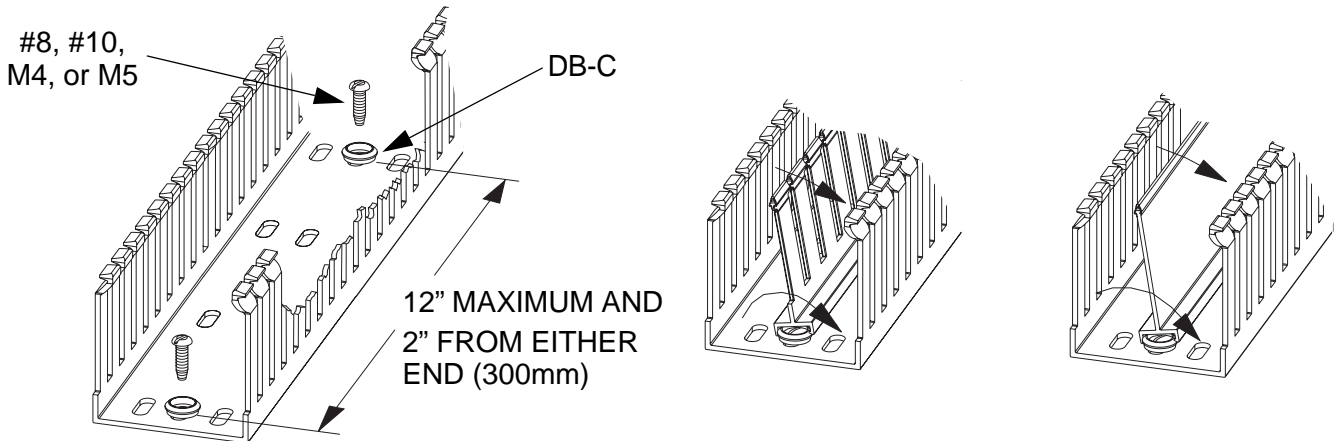
PART NUMBERS; DB-C, DNT-100, D1H6, D1.5H6, D2H6, D3H6, D4H6, SD2H6, SD3H6, SD4H6

## INSTALLATION INSTRUCTIONS

Panduit Corp. 1998

Printed in U.S.A.

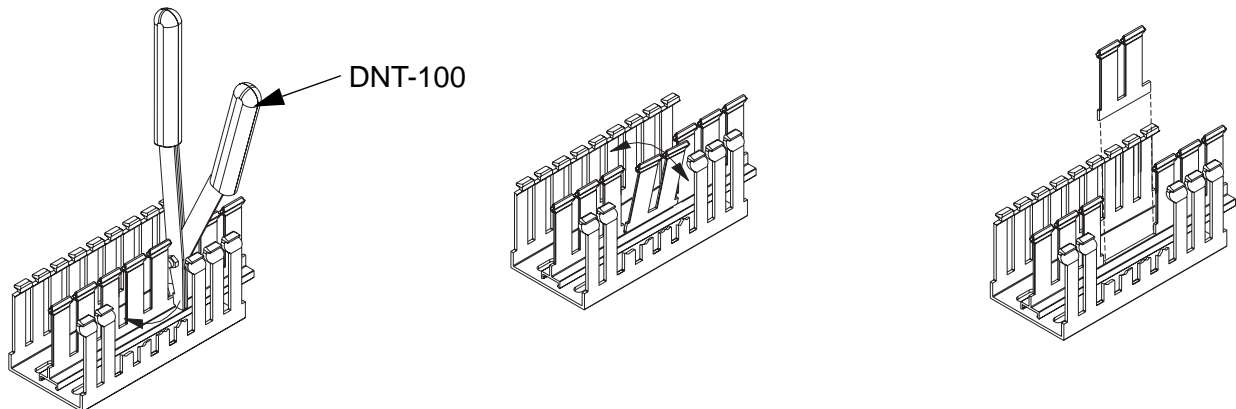
### INSTALLATION OF SOLID/SLOTTED DIVIDER WALL AND MOUNTING DISCS



### REMOVING FINGERS ON SLOTTED DIVIDER WALL



### REMOVING SECTIONS FROM SLOTTED DIVIDER WALL WITH DNT-100 TOOL



INSTRUCTION SHEET RW31C

## WORLDWIDE SUBSIDIARIES AND SALES OFFICES

18900 Panduit Drive  
Tinley Park, IL 60487  
Web Site:  
[www.panduit.com](http://www.panduit.com)



Fax: 708-532-1811  
Technical Support: 800-777-3300  
E-mail: [cs@panduit.com](mailto:cs@panduit.com)