



SOLID /SLOTTED DUCT DIVIDER WALL AND MOUNTING DISCS

FOR USE WITH
PANDUCT
TYPES F, G, FS,
AND D DUCT

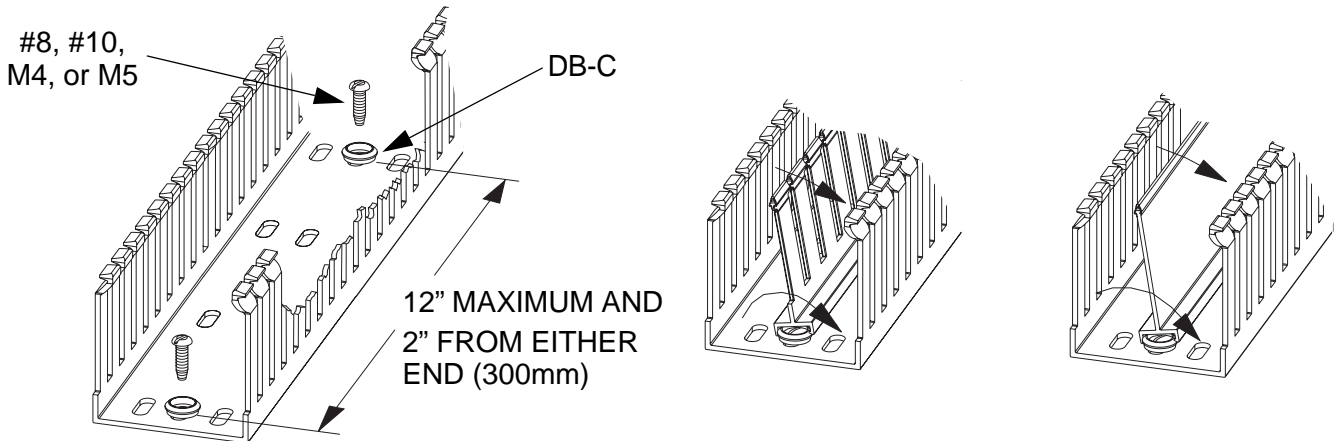
PART NUMBERS; DB-C, DNT-100, D1H6, D1.5H6, D2H6, D3H6, D4H6, SD2H6, SD3H6, SD4H6

INSTALLATION INSTRUCTIONS

Panduit Corp. 1998

Printed in U.S.A.

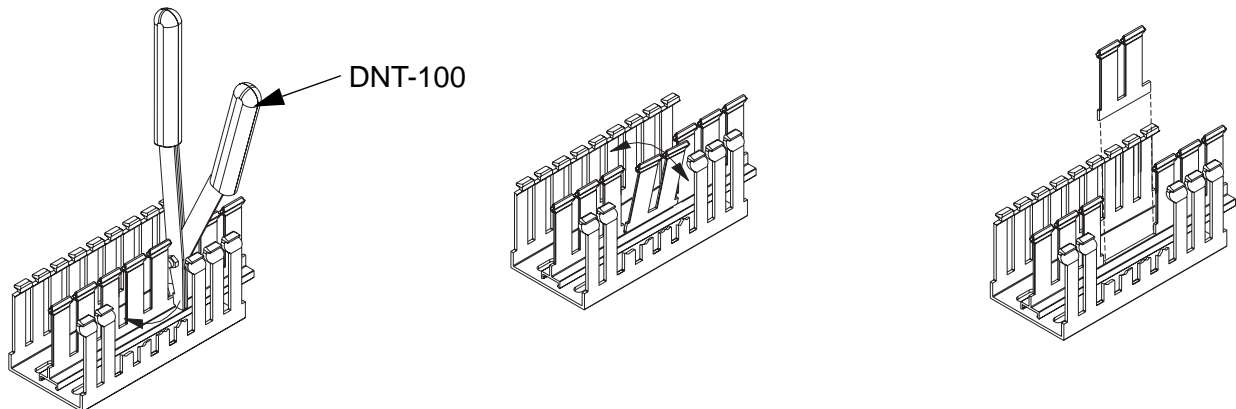
INSTALLATION OF SOLID/SLOTTED DIVIDER WALL AND MOUNTING DISCS



REMOVING FINGERS ON SLOTTED DIVIDER WALL



REMOVING SECTIONS FROM SLOTTED DIVIDER WALL WITH DNT-100 TOOL



INSTRUCTION SHEET RW31C

WORLDWIDE SUBSIDIARIES AND SALES OFFICES

18900 Panduit Drive
Tinley Park, IL 60487
Web Site:
www.panduit.com



Fax: 708-532-1811
Technical Support: 800-777-3300
E-mail: cs@panduit.com