

FEATURES & SPECIFICATIONS

INTENDED USE

For applications that require the clean appearance of a flat-bottom diffuser. Provides high light levels for storage rooms, offices or retail applications. **Certain airborne contaminants can diminish integrity of acrylic.** [Click here for Acrylic Environmental Compatibility table for suitable uses.](#)

CONSTRUCTION

Linear side prisms control brightness, pyramidal bottom prisms minimize lamp image. Diffuser hinges open from either side for easy maintenance. Full depth, white enamel end plates.

Die-formed from code-gauge cold-rolled steel. Channel cover snaps into place without the use of tools. Full end cap factory installed to reduce job site labor. Diffuser is extruded clear acrylic.

Five-stage iron-phosphate pretreatment ensures superior paint adhesion and rust resistance. Finished with high-gloss, baked white enamel.

ELECTRICAL

Thermally protected, resetting, Class P, HPF, UL listed, CSA Certified ballast is standard. Energy saving and electronic ballasts are sound rated A.

Luminaire is suitable for damp locations. AWM, TFN or THHN wire used throughout, rated for required temperatures.

MVOLT ballasts are NEMA Premium®/CEE qualified ballasts. Full light output - reduced energy. Less than 10% THD. Multi-volt operation, 120-277V.

INSTALLATION

For surface or stem mounting, individual or row installation.

LISTING

UL and C-UL Listed (standard).

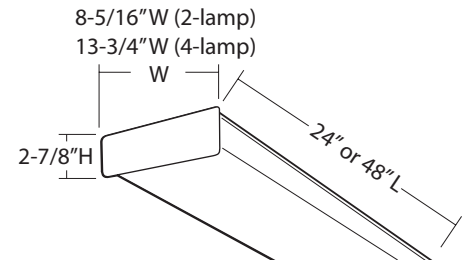
WARRANTY

Fixtures, including ballasts, are covered by Lithonia Lighting 24-month warranty against mechanical defects in manufacture.

Note: Specifications subject to change without notice.

Catalog Number
Notes
Type

Square-Basket Wraps



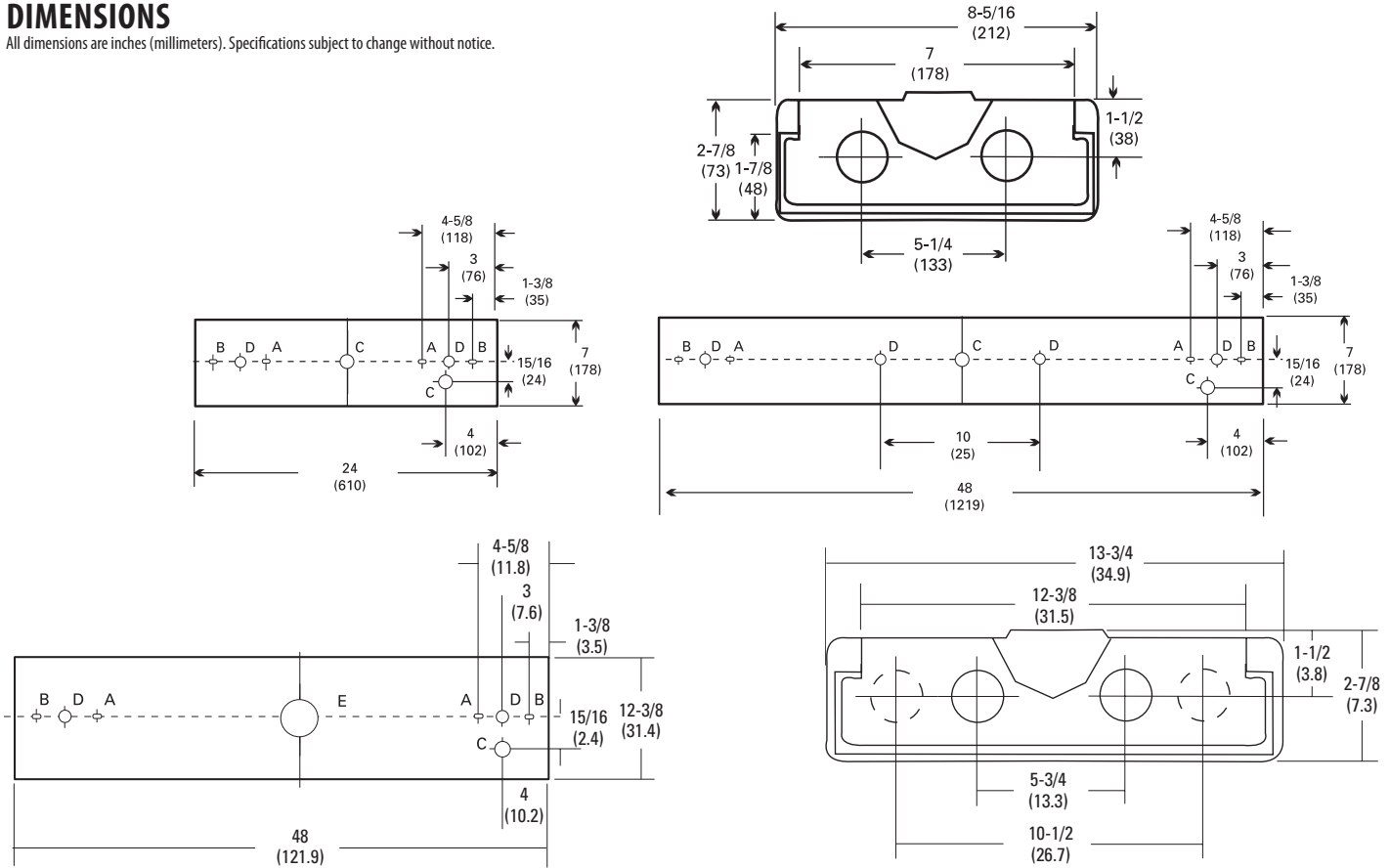
ORDERING INFORMATION

Catalog Number	UPC	Description	# of Lamps	# of Ballasts	Wattage	Voltage	Ballast Type	ENERGY STAR Qualified	Lamp Included	Pallet Qty.	Standard Carton Qty.
SB232 MV	745975083633	Wraparound	2	1	32	120-277	NEMA Premium, instant start	N	N	70	1
SB432 MV	745975083619	Wraparound	4	1	32	120-277	NEMA Premium, instant start	N	N	42	1
SB217 MV	745975145188	Wraparound	2	1	17	120-277	NEMA Premium, instant start	N	N	140	1

Square-Basket Wraps

DIMENSIONS

All dimensions are inches (millimeters). Specifications subject to change without notice.



PHOTOMETRICS

Calculated using the zonal cavity method in accordance with IESNA LM41 procedure. Floor reflectances are 20%. Lamp configurations shown are typical. All data based on 25°C. Full photometric data on these and other configurations available upon request.

SB232 MV

Test # BAL16519 Lumens per lamp = 2950

S/MH (along) 1.23 (across) 1.38

ROR	pf	Coefficients of Utilization												0%
		20%												
		80%			50%			30%			10%			
pc	50%	30%	10%	50%	30%	10%	50%	30%	10%	50%	30%	10%	pw	
0	107	107	107	97	97	97	90	90	90	84	84	84	82	
1	93	90	86	85	82	79	79	77	75	74	73	71	68	
2	82	76	71	75	70	66	70	66	63	66	63	60	58	
3	73	65	60	66	61	56	62	58	54	59	55	52	49	
4	65	57	51	59	53	48	56	51	47	53	48	45	43	
5	58	50	44	53	47	42	50	45	41	48	43	39	37	
6	52	44	39	48	42	37	46	40	36	43	39	35	33	
7	47	40	34	44	38	33	42	36	32	40	35	31	29	
8	43	36	31	40	34	29	38	33	29	37	32	28	26	
9	40	32	28	37	31	27	35	30	26	34	29	25	24	
10	37	30	25	34	28	24	33	27	24	31	26	23	21	

Zonal Lumen Summary			
Zone	Lumens	% Lamp	% Fixture
0° - 30°	1444.3	24.5	26.6
0° - 40°	2374.5	40.2	43.7
0° - 60°	3953.3	67.0	72.8
0° - 90°	4821.6	81.7	88.8
90° - 180°	610.2	10.3	11.2
0° - 180°	5431.9	92.1	100.0

SB432 MV

Report LTL 5659 – Lumens per lamp = 2900

S/MH (along) 1.2 (across) 1.3

Ceiling	Coefficient of Utilization																			
	80%					70%					50%					0%				
	Wall	Z0%	50%	30%	70%	50%	30%	50%	30%	10%	0%	Wall	Z0%	50%	30%	70%	50%	30%	10%	0%
0	83	83	83	81	81	81	76	76	76	65										
1	77	73	71	74	71	69	67	65	63	55										
2	70	65	61	68	63	59	60	56	54	48										
3	65	58	53	63	56	52	54	49	46	41										
4	60	52	46	58	51	45	48	44	40	36										
5	55	46	40	53	45	40	43	38	34	31										
6	51	42	36	49	41	35	39	34	30	27										
7	47	38	32	45	37	31	35	30	27	24										
8	43	34	28	42	33	28	32	27	23	21										
9	40	30	25	38	30	24	28	24	20	18										
10	37	28	22	36	27	22	26	21	18	16										

Zonal Lumens Summary			
Zone	Lumens	%Lamp	%Fixture
0-30	2289	19.7	27.7
0-40	3753	32.4	45.4
0-60	6182	53.3	74.7
0-90	7541	65.0	91.1
90-180	733	6.3	8.9
0-180	8275	71.3	100.0