

## FEATURES & SPECIFICATIONS

### INTENDED USE

For applications that require general illumination from surface-mounted fixture. Provides high light levels for storage rooms, offices or retail applications. **Certain airborne contaminants can diminish integrity of acrylic.** [Click here for Acrylic Environmental Compatibility table for suitable uses.](#)

### ATTRIBUTES

Linear side prisms control brightness, pyramidal bottom prisms minimize lamp image. Diffuser hinges open from either side for easy maintenance. Full depth, white enamel end plates.

### CONSTRUCTION

Die-formed from Code gauge cold-rolled steel. Channel cover snaps into place without the use of tools. Full end cap factory installed to reduce job site labor. Diffuser is extruded clear acrylic.

### FINISH

Five-stage iron-phosphate pretreatment ensures superior paint adhesion and rust resistance. Finished with high-gloss, baked white enamel.

### ELECTRICAL SYSTEM

Thermally protected, resetting, Class P, HPF, UL listed, CSA Certified ballast is standard. Energy saving and electronic ballasts are sound rated A.

Luminaire is suitable for damp locations. AWM, TFN or THHN wire used throughout, rated for required temperatures.

**120V ballasts are ENERGY STAR® qualified FCC Class B for residential and commercial applications. Less than 10% THD. Quieter applications.**

**MVOLT ballasts are NEMA Premium®/CEE qualified ballasts. Full light output - reduced energy. Less than 10% THD. Multi-volt operation, 120-277V.**

### INSTALLATION

Intended for surface mounting, unit installation.

### LISTING

UL and C-UL Listed.

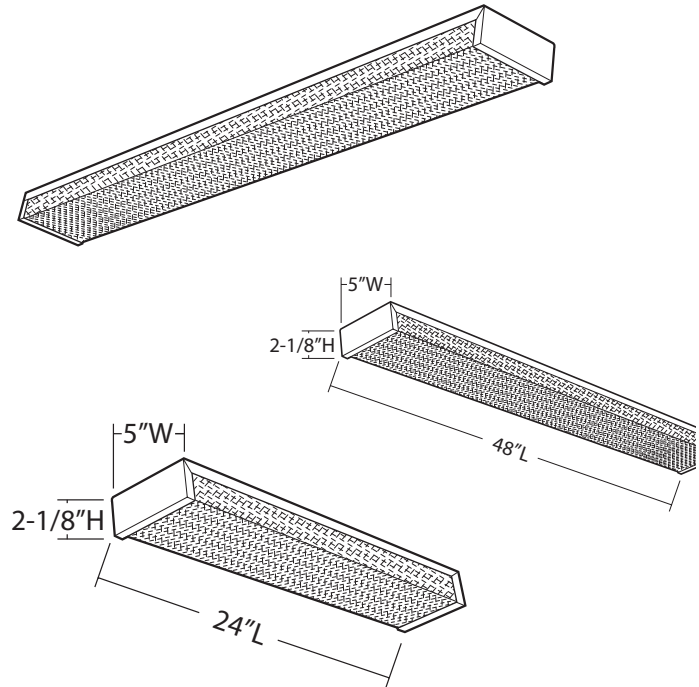
### WARRANTY

Fixtures, including ballasts, are covered by Lithonia Lighting 24-month warranty against mechanical defects in manufacture.

Note: Specifications subject to change without notice.

Catalog Number
Notes
Type

## Narrow-Basket Wraps



## ORDERING INFORMATION

Catalog Number	UPC	Description	# of Lamps	# of Ballasts	Wattage	Ballast Voltage	Ballast Type	ENERGY STAR Qualified	Lamp Included	Pallet Qty.	Standard Carton Qty.
RB232	745973790076	Wraparound	2	1	32	120	Electronic, instant start	Y	N	144	1
RB217	745976023065	Wraparound	2	1	17	120	Electronic, instant start	Y	N	288	1
RB232MV	745975747092	Wraparound	2	1	32	MVOLT	Electronic, instant start	N	N	144	1
RB217MV	745976984540	Wraparound	2	1	17	MVOLT	Electronic, instant start	N	N	288	1

# Narrow-Basket Wraps

---



NARROW-BASKET-WRAPS