

Catalog Number
Notes
Type

FEATURES & SPECIFICATIONS

INTENDED USE

Provides years of maintenance-free illumination for indoor or outdoor use in residential & commercial applications.

CONSTRUCTION

Cast-aluminum housing with corrosion-resistant paint in an industrial grey finish.

Sealed gasket protects against moisture and dust.

OPTICS

4000K CCT LEDs.

Frosted glass diffuser provides even light distribution.

LUMEN MAINTENANCE

LEDs will deliver 70% of their initial lumens at 50,000 hour average LED life. See Lighting Facts label on page 2 for performance details.

ELECTRICAL

MVOLT driver operates on any line voltage from 120-277V

Operating temperature -40°C to 40°C.

4kV surge protection standard.

INSTALLATION

Mounts to ceiling or wall with surface mount junction box (included).

LISTINGS

UL Listed to U.S. and Canadian safety standards for wet locations.

Tested in accordance with IESNA LM-79 and LM-80 standards.

WARRANTY

Five-year limited warranty. Full warranty terms located at www.AcuityBrands.com/CustomerResources/Terms_and_Conditions.aspx

Actual performance may differ as a result of end-user environment and application.

All values are design or typical values, measured under laboratory conditions at 25 °C.

Note: Specifications are subject to change without notice.

Outdoor General Purpose

OLVTCM & OLVTWM

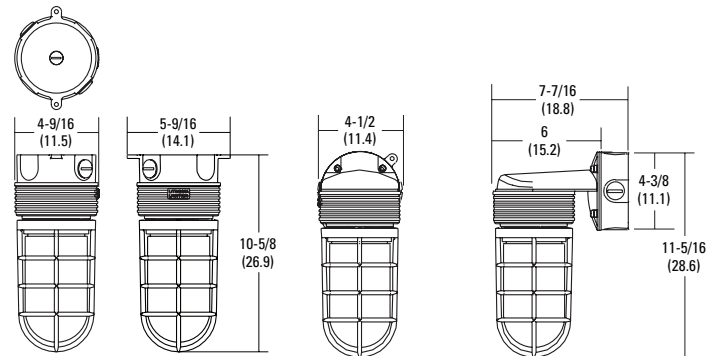


LED VAPORTIGHT



Specifications

All dimensions are inches (centimeters)



ORDERING INFORMATION

For shortest lead times, configure products using **bolded options**.

Example: OLVTCM

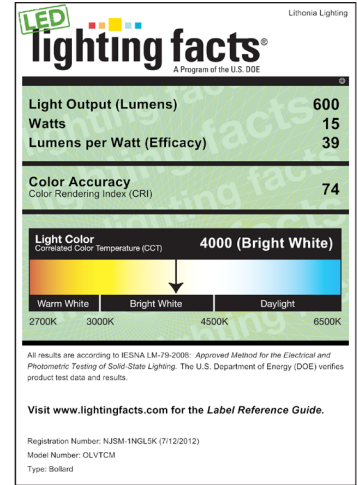
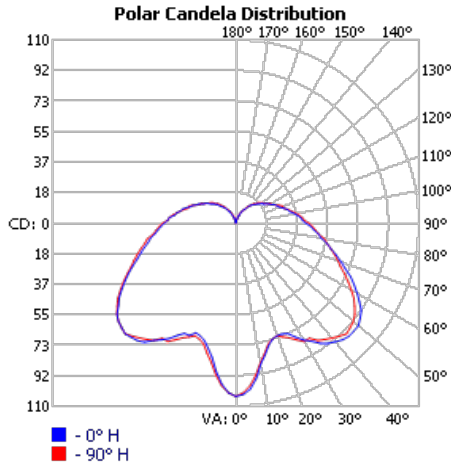
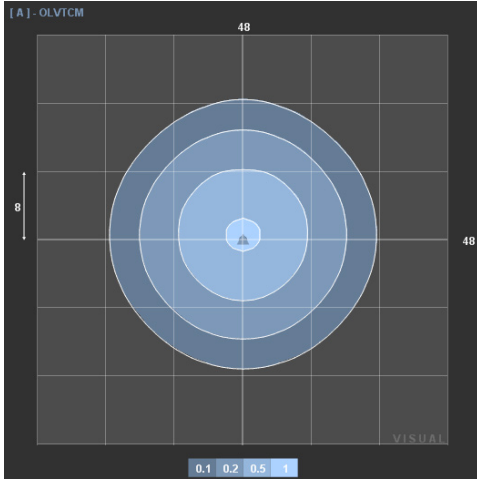
Series	Color temperature	Voltage	Finish
OLVTCM Ceiling MT	(blank) 4000K	(blank) MVOLT (120V-277V)	(blank) Grey
OLVTWM Wall MT			

OLVTCM & OLVTWM LED Vaportight

PHOTOMETRICS

To see complete photometric reports or download .ies files for this product, visit Lithonia Lighting's Outdoor LED homepage
 Tested in accordance with IESNA LM-79 and LM-80 standards.

OLVTCM



OLVTWM

