

OVERVIEW

The **SSD** is a stylish, easy to install, and simple to use Passive Infrared (PIR) wall switch sensor. It is ideal for private offices, copy rooms, closets, or any small enclosed space without obstructions. A user programmable time delay ensures that once the room is vacated the sensor will time out and turn off the lights.

FEATURES

- PIR detection - excellent RF immunity
- Small motion detection to 20 ft
- Self-grounding mounting strap
- No neutral connection required
- No minimum load and no current leakage to load
- Line power & load wires are interchangeable - impossible to wire backwards(patented)
- Compatible w/ Electronic & Magnetic Ballasts, CFLs, & Incandescents
- Push-button programmable without removing cover plate - adjustable time delays operating modes
- Integrated LampMaximizer minimum on time (patented) provides increased fluorescent lamp life - disabled by default
- Non-volatile settings memory

SPECIFICATIONS

Size:	2.74"H x 1.68"W x 1.63"D (not including ground strap)
Weight:	5 oz
Mounting:	Single gang switch box
Mounting Height:	30-48 in
Maximum Load:	800W @ 120VAC, 1200W @ 277VAC, Fluorescent/Incandescent loads only
Minimum Load:	None
Motor Load:	1/4 HP
Frequency:	50/60Hz (timers are 1.2x for 50Hz)

ROHS compliant

Warranty

Five-year limited warranty. Complete warranty terms located at:
www.acuitybrands.com/CustomerResources/Terms_and_conditions.aspx

Note: Actual performance may differ as a result of end-user environment and application.

Specifications subject to change without notice.



Sensor Switch™

*SSD Family
Contractor Select Wall Switch
Sensor*



Note: Wall plate not included



ORDERING INFORMATION

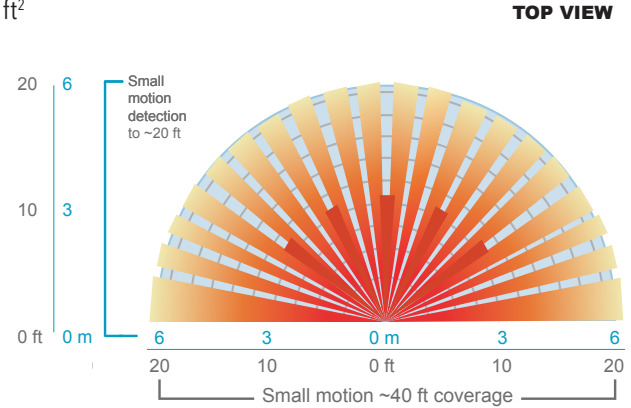
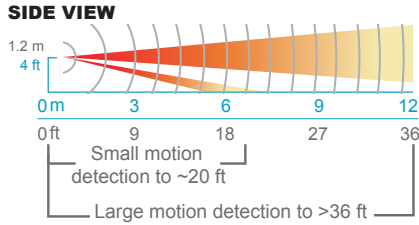
SSD		Example: SSD WH	
Series	Operating Mode ¹	Voltage	Color
SSD Passive infrared (PIR)	[blank] Auto-on (default) or vacancy SA Vacancy (default) or auto-on VA Vacancy only	[blank] 120/277VAC 120 120VAC only	WH White IV Ivory

Notes:

1 Operating Modes reprogrammable via push-button except for VA version

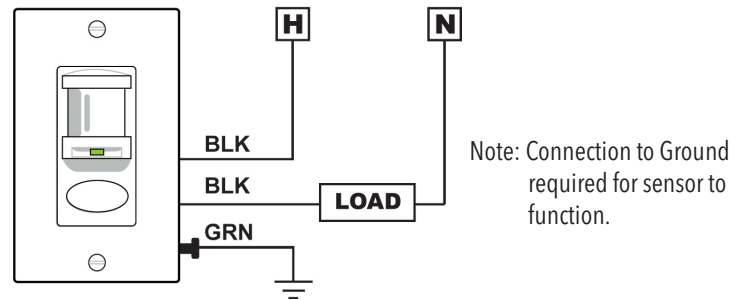
COVERAGE PATTERNS

- Small motion (e.g., hand movements) detection up to 20 ft (6.10 m), ~625 ft²
- Large motion (e.g., walking) detection greater than 36 ft (10.97 m), ~2025 ft²
- Wall-to-Wall coverage
- Obstructions that block the sensor's line of site will prevent detection
- Sensor will not see through glass



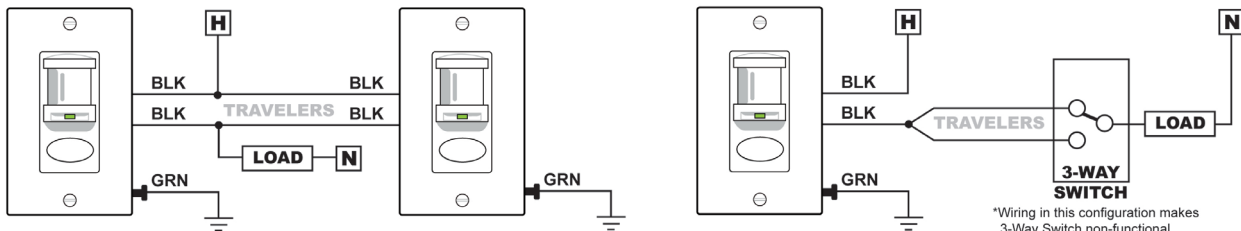
WIRING (Do NOT WIRE HOT)

- BLACK* - Line Input
 - BLACK* - Load Output
 - GREEN SCREW - Ground (required connection)
- *BLACK wires can be reversed



3-WAY CONFIGURATIONS

Travelers are used to wire sensors (or sensor and 3-way switch) in parallel



Note: Connection to Ground required for sensor to function