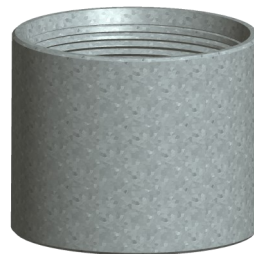
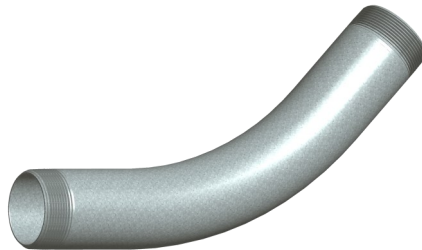


# CONDUIT

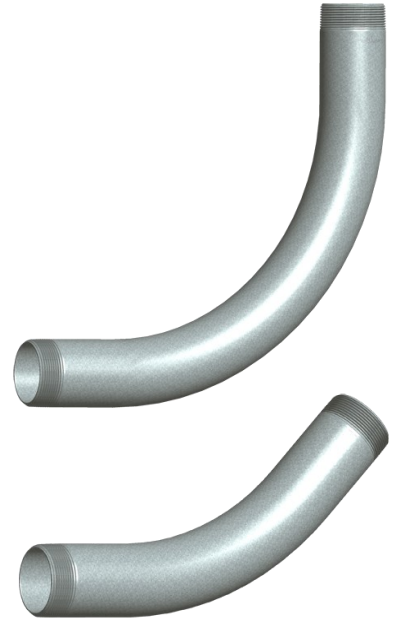
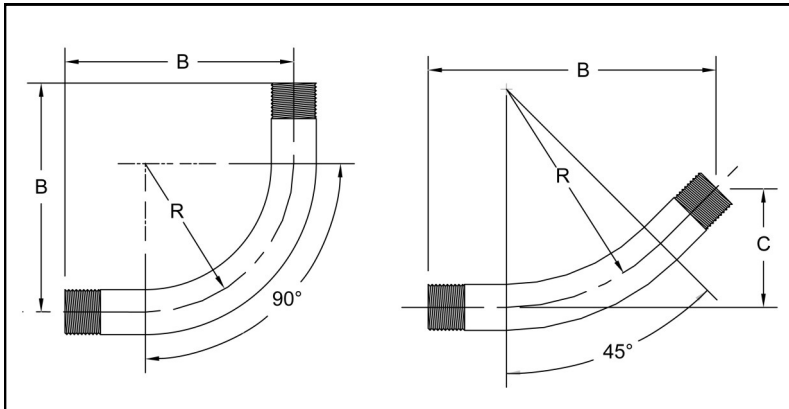
pipe products, co.



**THE PHOENIX FORGE GROUP**  
*Commanding a Higher Standard<sup>SM</sup>*



## Rigid Conduit Elbows 90° and 45°



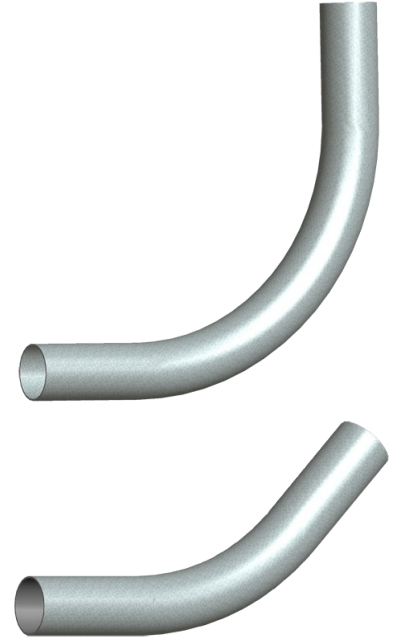
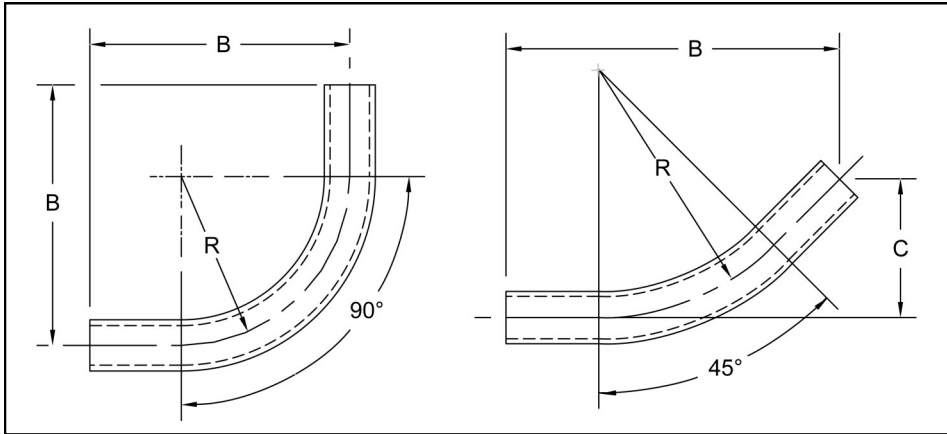
Standard Radius				
Size	Radius R	90° B Dim.	45° B Dim.	45° C Dim.
1/2	4	6-3/16	7-13/16	3-1/4
3/4	4-1/2	6-3/4	8-11/16	3-5/8
1	5-3/4	8-5/8	9-3/16	3-13/16
1-1/4	7-1/4	10-1/16	10-11/16	4-7/16
1-1/2	8-1/4	11-9/16	11-13/16	4-7/8
2	9-1/2	14-1/16	14-7/8	6-1/8
2-1/2	10-1/2	16	18-5/16	7-9/16
3	13	19-11/16	20-9/16	8-1/2
3-1/2	15	22-3/16	23-3/16	9-5/8
4	16	23-1/8	24-1/2	10-1/8
5	24	36-1/8	38-1/4	15-7/8
6	30	42-15/16	42	17-3/8

Special Radius				
Radius R	Sizes Available	90° B Dim.	45° B Dim.	45° C Dim.
12	1 thru 2-1/2	21	23-7/8	9-7/8
15	1 thru 3	24	26	10-3/4
18	1 thru 4	28	29-3/4	12-3/8
24	1 thru 4	35	35-3/4	14-13/16
30	1 thru 5	41	40	16-9/16
36	1 thru 6	47	44-1/4	18-5/16
42	1 thru 6	54	50-1/8	20-13/16
48	1 thru 6	60	54-3/8	22-9/16
60	1 thru 6	72	62-7/8	26-1/16

**Material:** Galvanized Steel, 304 Stainless Steel and Aluminum Elbows are listed cULus and meet requirements of both CSA and UL.  
 5" and 6" Elbows are available only in Galvanized Steel and Aluminum.  
 316 Stainless Steel Elbows are available upon request.  
 Aluminum Elbows are made from 6063 alloy with a maximum Copper content of 0.1%.

**Notes:** Radius R is the minimum. Dimensions B and C are reference dimensions.  
 11-1/4°, 15°, 22-1/2°, 30° and 60° Elbows are also available.  
 Both ends NPT threads conform to ANSI B1.20.1.  
 Larger than 60" Radius Segmented Special Radius Elbows available in Galvanized Steel, please specify Pipe Size X Radius X Bend Angle when contacting our Sales Department.  
 Aluminum elbows are made from 6063 alloy with a maximum copper content of 0.1%

## EMT Elbows 90° and 45°



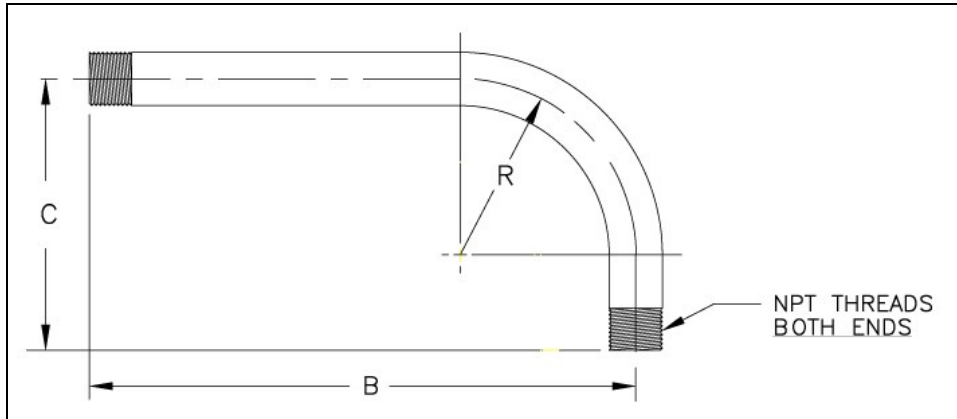
Standard Radius				
Size	Radius R	90° B Dim.	45° B Dim.	45° C Dim.
1/2	4	6-3/16	7	2-7/8
3/4	4-1/2	6-11/16	7-7/8	3-1/4
1	5-3/4	8-9/16	8-15/16	3-11/16
1-1/4	7-1/4	10	9-11/16	4
1-1/2	8-1/4	11-1/2	11-3/8	4-11/16
2	9-1/2	14-1/16	14	5-13/16
2-1/2	10-1/2	16	19-3/8	8
3	13	20	22	9-1/8
3-1/2	15	23	23-13/16	9-7/8
4	16	24-7/16	25-1/16	10-3/8

Special Radius				
Radius R	Sizes Available	90° B Dim.	45° B Dim.	45° C Dim.
12	1-1/4 thru 2	21	23-7/8	9-7/8
15	1-1/2 thru 2	24	26	10-3/4
18	1-1/4 thru 2	28	29-3/4	12-3/8
24	2 thru 3-1/2	35	35-3/4	14-13/16
30	3 thru 4	41	40	16-9/16
36	1-1/2 thru 4	47	44-1/4	18-5/16
42	3-1/2 thru 4	54	50-1/8	20-13/16
48	1-1/2, 3 thru 4	60	54-3/8	22-9/16

Material: Galvanized Steel EMT Elbows are listed cULus and meet requirements of both CSA and UL.

Note: Radius R is the minimum. Dimensions B and C are reference dimensions.  
 11-1/4°, 15°, 22-1/2°, 30° and 60° Elbows are also available.

## Yard Lights



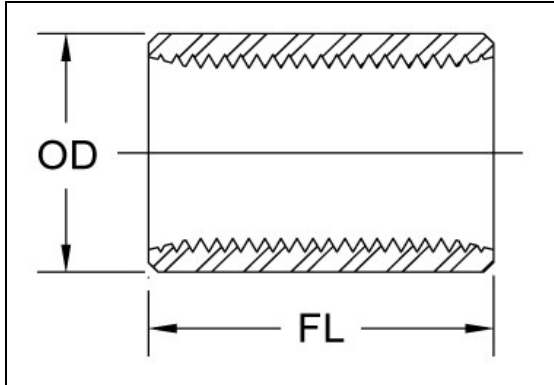
Size	Radius R	B Dim	C Dim
1/2	4	18	6-3/16
3/4	4-1/2	18	6-3/4
1	5-3/4	18	8-5/8
1-1/4	7	19-1/4	10-1/4
1-1/2	8-1/4	20-1/2	11-5/8
2	9-1/2	21-1/2	14-1/2
2-1/2	10-1/2	22-1/2	16
3	13	25	19-1/4
3-1/2	15	27	22-3/4
4	16	28	24



Material: Galvanized Steel.

Note: Radius R is the minimum. Dimensions B and C are reference dimensions.

## Conduit Couplings



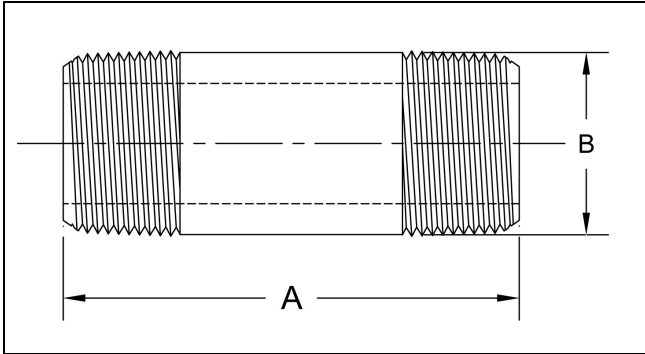
Size	Threads per inch	OD	Minimum Length FL
1/2	14	1.010	1-5/8
3/4	14	1.250	1-41/64
1	11-1/2	1.525	1-31/32
1-1/4	11-1/2	1.869	2-1/32
1-1/2	11-1/2	2.155	2-1/16
2	11-1/2	2.650	2-1/8
2-1/2	8	3.250	3-3/16
3	8	3.870	3-5/16
3-1/2	8	4.500	3-13/32
4	8	4.875	3-33/64
5	8	6.000	3-61/64
6	8	7.100	4-1/4

Material: Galvanized Steel, 304 Stainless and Aluminum Conduit Couplings meet requirements of both CSA and UL.  
 Aluminum Conduit Couplings are made from 6063 alloy with a maximum Copper content of 0.1%.

Notes: 304 Stainless Steel Conduit Couplings are available only up to 4" size.  
 O.D. of Stainless Steel Conduit Couplings may be larger than shown.



## Conduit Nipples

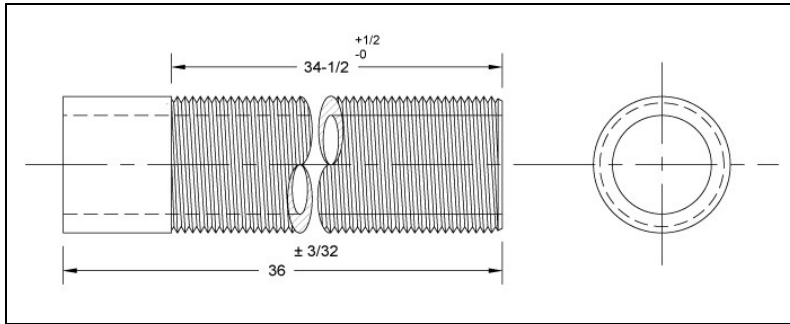


Size	Diameter B	Dim A													
		Close Length	1-1/2	2	2-1/2	3	3-1/2	4	4-1/2	5	5-1/2	6	8	10	12
1/2	.840	1-1/8	X	X	X	X	X	X	X	X	X	X	X	X	X
3/4	1.015	1-3/8	X	X	X	X	X	X	X	X	X	X	X	X	X
1	1.315	1-1/2		X	X	X	X	X	X	X	X	X	X	X	X
1-1/4	1.660	1-5/8		X	X	X	X	X	X	X	X	X	X	X	X
1-1/2	1.900	1-3/4		X	X	X	X	X	X	X	X	X	X	X	X
2	2.375	2			X	X	X	X	X	X	X	X	X	X	X
2-1/2	2.875	2-1/2				X	X	X	X	X	X	X	X	X	X
3	3.500	2-5/8				X	X	X	X	X	X	X	X	X	X
3-1/2	4.000	2-3/4						X	X	X	X	X	X	X	X
4	4.500	2-7/8						X	X	X	X	X	X	X	X
5	5.563	3							X	X	X	X	X	X	X
6	6.625	3-1/8							X	X	X	X	X	X	X

Material: Galvanized Steel, 304 or 316 Stainless Steel and Aluminum Conduit Nipples are listed cULus and meet the requirements of both CSA and UL.  
 Aluminum Conduit Nipples are made from 6063 alloy with a maximum Copper Content of 0.1%.

Notes: Lengths longer than 12" and Special threads are available upon request.  
 Both ends NPT threads conform to ANSI B1.20.1.

## Running Threads



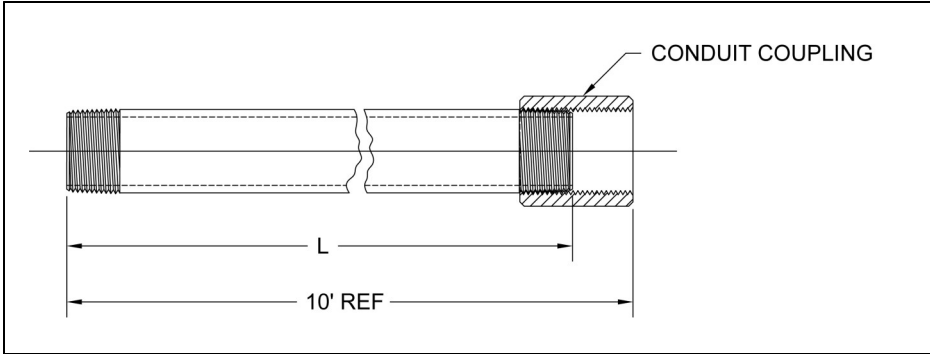
Size	Threads per inch	OD
1/2	14	.823
3/4	14	1.034
1	11-1/2	1.293
1-1/4	11-1/2	1.638
1-1/2	11-1/2	1.877
2	11-1/2	2.351
2-1/2	8	2.841
3	8	3.467
3-1/2	8	3.968
4	8	4.466
5	8	5.528
6	8	6.585



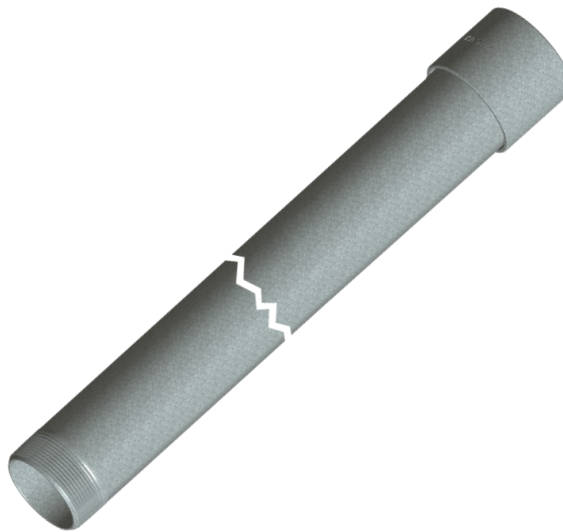
Material: Galvanized Steel

Note: NPSM running thread conforms to ANSI B1.20.1.

## 10' Rigid Stainless Steel Conduits with Coupling



Size	L Dim.
1/2	9' 11-1/4"
3/4	9' 11-1/4"
1	9' 11"
1-1/4	9' 11"
1-1/2	9' 11"
2	9' 11"
2-1/2	9' 10-1/2"
3	9' 10-1/2"
4	9' 10-1/4"



Material: 304 Stainless Steel Conduits with Coupling are listed cULUS and meet requirements of both CSA and UL.

Note: Both ends have NPT threads and conform to ANSI B1.20.1.