



Hydel

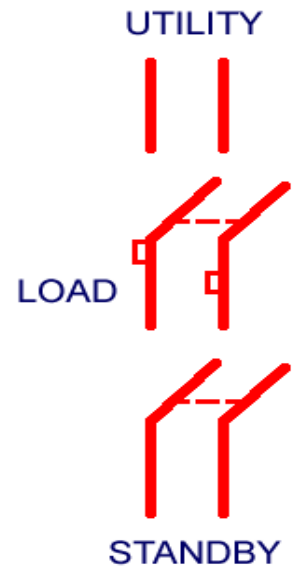
Product #: **GS1101B12-N**

TRANSFER SWITCH 100/100A 1PH

Single Phase 120/240 Volts AC

SPECIFICATIONS

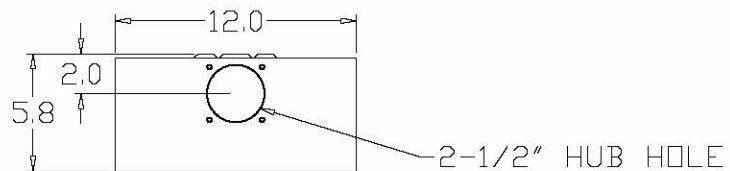
Category	Heavy Duty
Main Amps	100.0
Standby Amps	100
Phase	1
Volts	120/240
Metering	Unmetered
AIC	10,000
Cabinet Size	13 X 26
Hub Provision	1-1/4 " Hub Included
Neutral Kits	NEU102 Included
Wire Range	12-1/0
Certification	UL/CUL
Unit Weight	31.0 LBS



Product #: NEU102

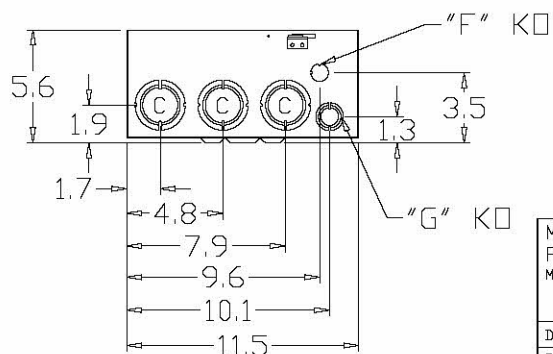
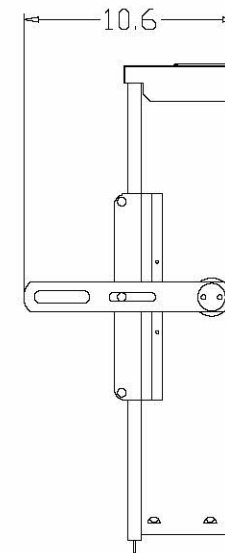
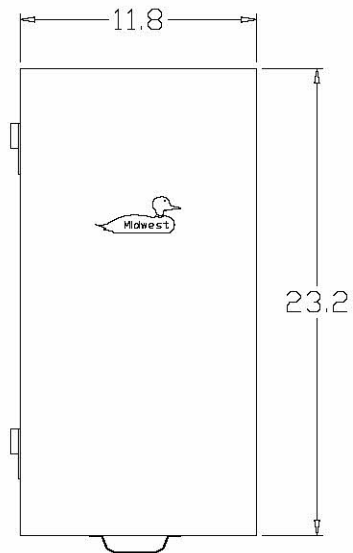
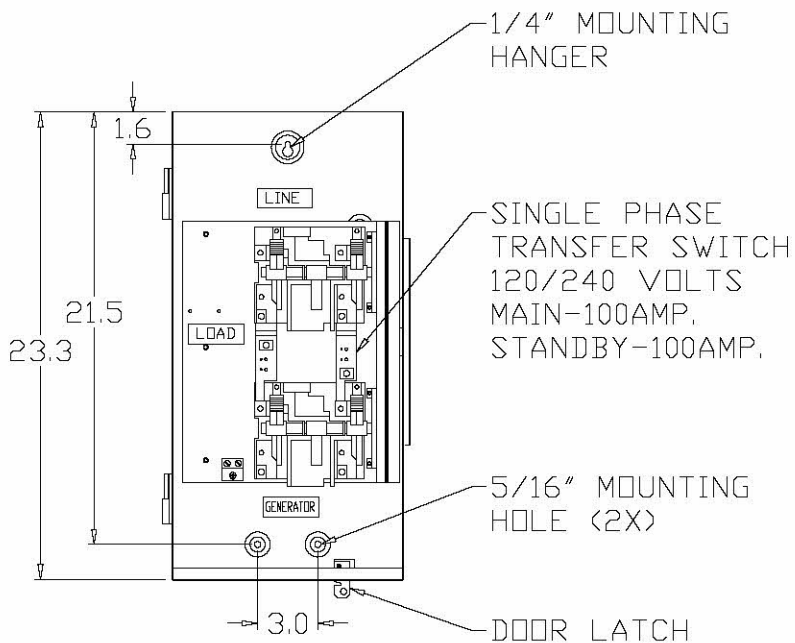
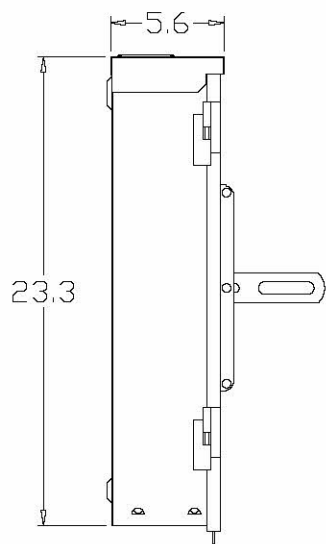
Short Description: INSULATED NEUTRAL KIT

Category	Neutral Replacements
Lug Size	(5) #12-1/0 CU AL



NOTES:

- USE ONE #10-1/0 CU/AL WIRE PER LUG FOR 100 AMP SWITCH
- EQUIP. GRD.-#12-2 CU/AL



KNOCKOUT TABLE:

C = 1-1/4", 1-1/2", 2" KO
F = 1/2" KO
G = 1/2", 3/4", 1" KO



MIDWEST ELECTRIC PRODUCTS, INC.
Mankato, MN

Dr. By: JDE
Ck. By:
CR: R0815611

* = Critical To Quality
Unless Otherwise Specified

Tolerances On:
3 Pl. Decimals ± .010
2 Pl. Decimals ± .030
Fractions ± 1/32
Angles ± 1/2°
Holes ± .003

AutoCad Generated

SCALE: 1 : 1
SIZE: A

SHEET 1 OF 1

Dimensions Are In Inches

TITLE: GS1101B12UL
OUTLINE DRAWING

DWG NO: 265A6102

Rev.1 CR R0815611 JE 3-3-08