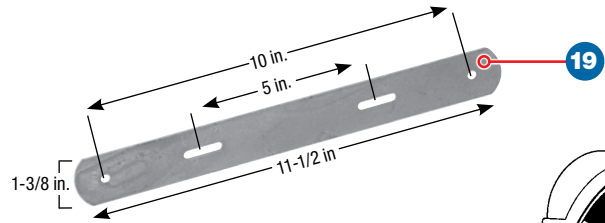
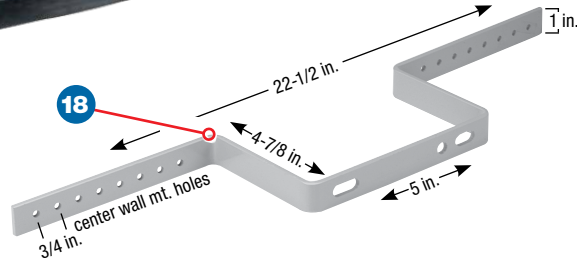
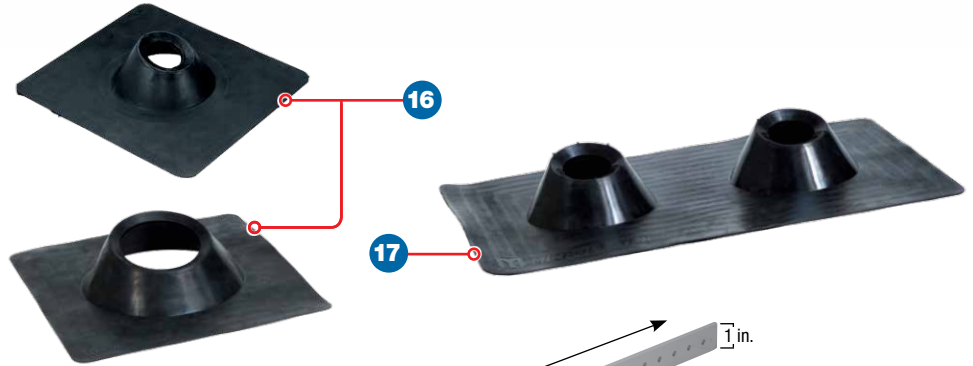
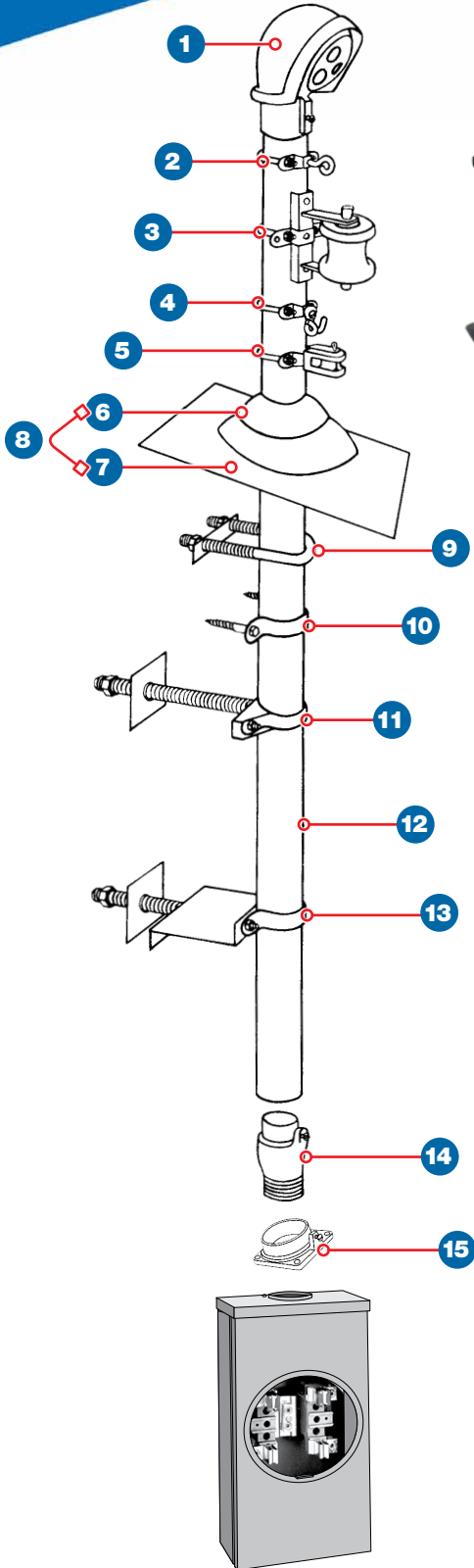
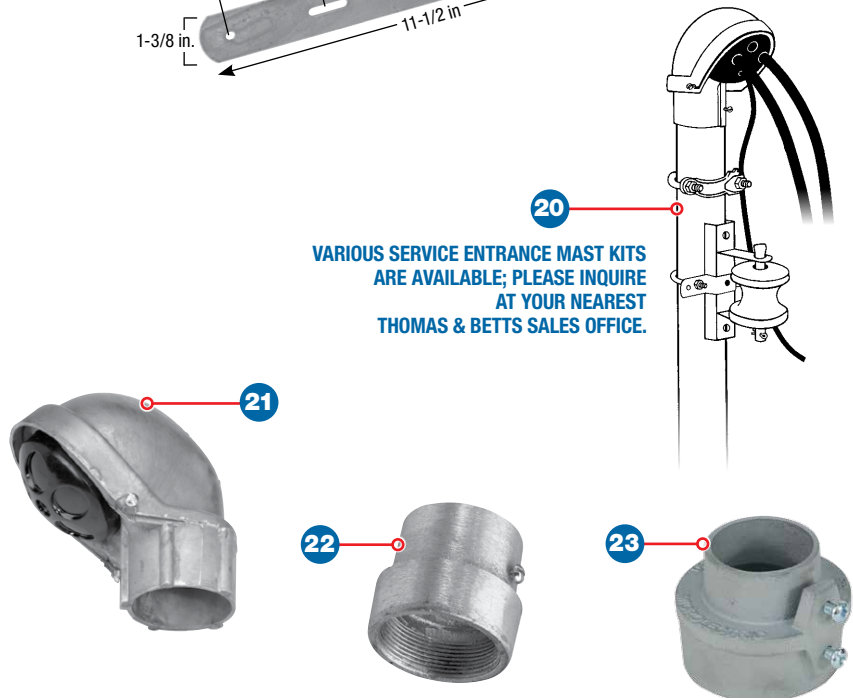


Service Masts

Service Entrance Masts and Accessories



VARIOUS SERVICE ENTRANCE MAST KITS ARE AVAILABLE; PLEASE INQUIRE AT YOUR NEAREST THOMAS & BETTS SALES OFFICE.



Fittings for old style 2-3/4 in. outside diameter service masts.

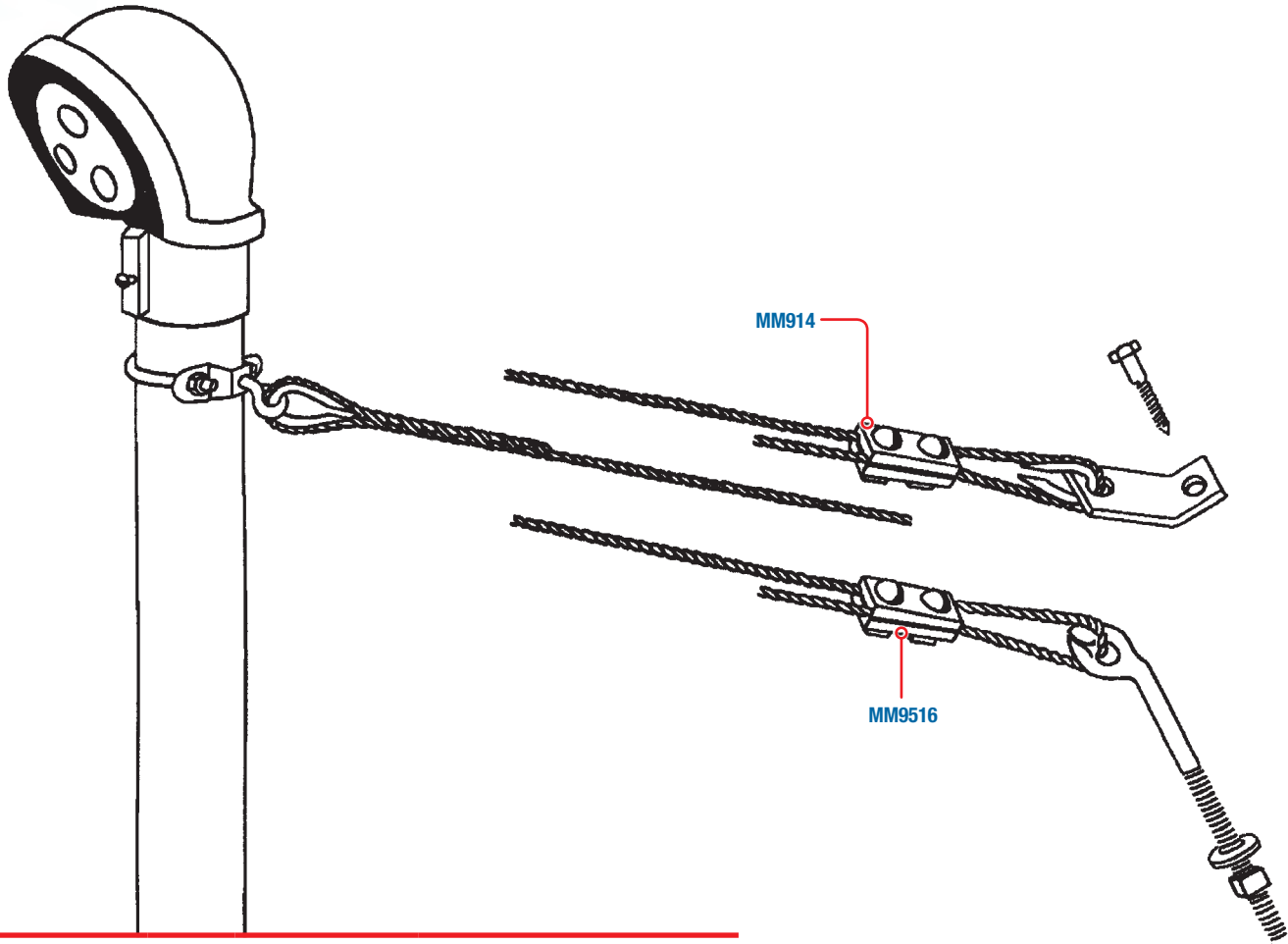
Service Masts

Service Entrance Masts and Accessories

Reference No.	Cat. No.	lb./kg 100 pcs	Std. Pkg.	Description
1	MM104	105/47.1	20	1-1/4 in. Entrance cap 100 A
	MM105	130/59	10	1-1/2 in. Entrance cap 150–200 A
	MM202	200/90		2 in. Entrance cap 200 A
2	MM380 MM380A	50/22.7	50	Guy attachment c/w oval eye
3	MM101	125/56	20	Light duty spool rack 100 A
	MM5101	164/74		Light duty spool rack (Alberta only) 100 A
	MM201	300/136	10	Heavy duty spool rack 200 A
	MM801	360/163	10	Heavy duty spool rack 400 A, fits 3 in. and 4 in. Rigid conduit
4	MM390	50/22.7	50	Drop wire hook bracket
5	MM300	100/45.4	20	Service mast wire holder
6	MM500	14/6.3	50	Neoprene collar only
	MM501	36/16.3		Steel collar only
7	MM502	150/68	10	Roof base flange only
8	MM503	180/81		Roof flange C/W steel collar
	MM505N	140/63		Roof flange C/W neoprene collar
	MM5505N	140/63		Roof flange C/W neoprene collar 1-1/4 in.
9	MM250	125/56	20	1/2 in. dia. «U» bolt mast clamp
10	MM251	40/18.1	50	Pipe strap C/W two 3/8 in. x 4 in. lag screws
	MM255	40/18.1		Pipe strap C/W two 3/8 in. x 5 in. lag screws
	MM252	30/13.6		Pipe strap only less lag screws
11	MM400	225/102	20	Support clamp C/W 5/8 in. x 10 in. fully threaded bolt and 4 in. x 4 in. square washer
	MM401	110/50		Clamp only less bolt and washer
	MM445	215/97		Support clamp C/W 5/8 in. x 4-1/2 in. fully threaded bolt and 4 in. x 4 in. square washer
	MM5400			Support clamp C/W 1/2 in. x 10 in. bolt
12	MM8	2800/1272	50	8 ft. x 2-1/2 in. outside diameter mast
	MM9CM	3300/1500		9 ft. x 2-1/2 in. outside diameter mast
	MM10	3500/1590		10 ft. x 2-1/2 in. outside diameter mast
	MM12	4200/1909		12 ft. x 2-1/2 in. outside diameter mast
13	MM600	235/106	20	Meter spacer complete with pipe strap; 5/8 in. x 4-1/2 in. carriage bolt and 4 in. x 4 in. square washer
	MM601	190/86		Same as above except no pipe strap
	MM602	150/68		Spacer only (less strap, bolt and washer) (suggested for brick applications with MM201 less pipe strap)
	MM602LD	119/54		Light duty spacer only (less strap, bolt and washer)
	MM603	200/90		Spacer with pipe strap (less bolt and washer)
14	MM100	44/20	25	1 in. Female reducer
	MM140			1-1/4 in. Female reducer
	MM140M			1-1/4 in. Male reducer
	MM150			1-1/2 in. Female reducer
	MM150M			1-1/2 in. Male reducer
	MM200			2 in. Female reducer
	MM200M			2 in. Male reducer
15	MH200	40/18	1	2 in. Mast adaptor
	MH40	103/46.82	10	4 in. Mast coupler
16	MM506N	52/23.6	10	Simple all neoprene roof flange, 200 A, for 2-1/2 in. masts
	MM806N	100/45		Simple all neoprene roof flange, 400 A, for 4 in. masts
17	MM507DN	93/42.3		Double all neoprene roof flange; for 2-1/2 in. masts
18	MM604	150/68		Meter socket bracket (Dimensions see page D44)
19	MM605	50/22.7	25	Meter socket mounting bracket (Dimensions see page D44)
20	MM700	85/38.6	50	Service mast ground clamp, wire range: 8-1/0 AWG
21	MM202P	200/90	10	2 in. entrance cap for old style 2-3/4 in. service masts
	CIEFA-4	590/268	1	4 in. entrance head
22	MM200P	44/20	20	2 in. female reducer for old style 2-3/4 in. service masts
23	MC250	45/21	30	2-1/2 in. one-piece coupler (check the installation standards in your region before using the product)

Service Masts

Guy Kits for 2-1/2 in. Masts



Cat. No.	Qty.	Consists of	Description
1/4 in. Guy Kit			
MM914	1	MM380	Mast Guy Attachment
	2	GT516	Guy Thimbles
	1	GE14	Guy End
		GW14110	20 ft. of 1/4 in. Guy Wire
		GC902	Guy Clamp
		RB404	Roof Bracket
		T404-CM	Lag Screw
5/16 in. Guy Kit			
MM9516	1	MM380	Mast Guy Attachment
		GT516	Guy Thimble
		GE516	Guy End
		GW516110	20 ft. of 5/16 in. Guy Wire
		GC902	Guy Clamp
		BTE512	5/8 in. x 12 in. Bent Thimble Eye Bolt
		RA725	Round Washer

Service Masts

Mast Kits Suitable for British Columbia

Cat. No.	Qty.	Consists of	Description
KIT-100BCM ^H	1	MM104	Entrance Cap
		MM101	Light Duty Rack
		MM505N	Flange c/w Neoprene Collar
	3	MM250	"U" Bolt Clamp
KIT-100BCM ^N	1	MH200	Mast Coupler
		MM104	Entrance Cap
		MM101	Light Duty Rack
	3	MM250	"U" Bolt Clamp
MMK1-NM ^H	1	MM140	1-1/4 in. Female Reducer
		MM104	Entrance Cap
		MM101	Light Duty Rack
	3	MM400	Support Clamp
KIT-200BCM ^H	1	MH200	Mast Coupler
		MM202	Entrance Cap
		MM201	Heavy Duty Rack
	3	MM505N	Flange c/w Neoprene Collar
MMK2-NM ^H	1	MM250	"U" Bolt Clamp
		MM202	Entrance Cap
		MM201	Heavy Duty Rack
	3	MM505N	Flange c/w Neoprene Collar
MMK2-NM ^H	3	MM400	Support Clamp
		1	MH200

Service Masts

Mast Kits Suitable for Alberta



KIT 1-1/4

KIT 1-1/4 in. – 100 A

Cat. No.	Qty.	Consists of	Description
This mast kit is used in conjunction with 1-1/4 in. rigid conduit			
KIT 1-1/4	1	MM5104A	1-1/4 in. Throat Entrance Cap
		MM5101	Light Duty Spool Rack
		MM5505N	Roof Flange c/w Neoprene Collar
		MM5400	Support Clamp c/w 1/2 in. x 10 in. Bolt



KIT 2-CM

KIT 12-CM – 100 A

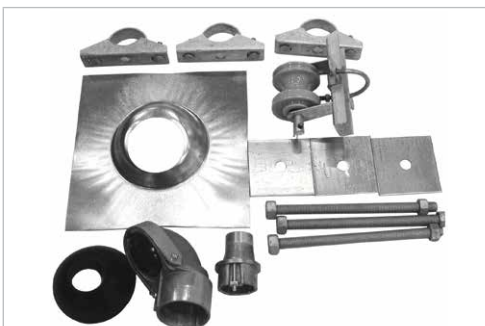
Cat. No.	Qty.	Consists of	Description
This mast kit is used in conjunction with 2 in. rigid conduit			
KIT 2-CM	1	MM5104B	2 in. Throat Entrance Cap
		MM5101	Light Duty Spool Rack
		MM505N	Roof Flange c/w Neoprene Collar
	2	MM5400	Support Clamp c/w 1/2 in. x 10 in. Bolt
	1	MM5140	1-1/4 in. Bottom Female Reducer



KIT 2-AL

KIT 12-AL – 200 A

Cat. No.	Qty.	Consists of	Description
KIT 2-AL	1	MM202	Entrance Cap
		MM5101	Light Duty Spool Rack
		MM505N	Roof Flange c/w Neoprene Collar
	2	MM5400	Support Clamp c/w 1/2 in. x 10 in. Bolt
	1	MM200M	2 in. Reducer



MB-110

MB-110 – 100 A

Cat. No.	Qty.	Consists of	Description
MB-110	1	MM104	1-1/4 in. Entrance Cap
		MM201	Heavy Duty Spool Rack
		MM505N	Roof Flange c/w Neoprene Collar
	3	MM400	Support Clamp c/w 5/8 in. x 10 in. Fully Threaded Bolt and 4 x 4 Washer
	1	MM140	1-1/4 in. Female Reducer

Service Masts

Mast Kits Suitable for Manitoba and Saskatchewan

Cat. No.	Qty.	Consists of	Description
KIT-100MJ	1	MM104	Entrance Cap
		MM140M	1-1/4 in. Reducer
		MM101	Light Duty Rack
		MM505N	Flange c/w Neoprene Collar
	2	MM251	Strap c/w 3/8 in. x 4 in. Lag Bolt
KIT-100MN	1	MM104	Entrance Cap
		MM140M	1-1/4 in. Reducer
		MM101	Light Duty Rack
		MM505N	Flange c/w Neoprene Collar
	3	MM255	Strap c/w 3/8 in. x 5 in. Lag Bolt
KIT-100MH	1	MM104	Entrance Cap
		MM101	Light Duty Rack
		MM505N	Flange c/w Neoprene Collar
	3	MM251	Strap c/w 3/8 in. x 4 in. Lag Bolt
KIT-200AM	1	MH200	Mast Coupler
		MM202	Entrance Cap
		MM201	Heavy Duty Rack
		MM200M	2 in. Male Reducer
	3	MM505N	Flange c/w Neoprene Collar
KIT-200MH	1	MM255	Strap c/w 3/8 in. x 5 in. Lag Bolt
		MM202	Entrance Cap
		MM201	Heavy Duty Rack
		MM505N	Flange c/w Neoprene Collar
	3	MM255	Strap c/w 3/8 in. x 5 in. Lag Bolt
KIT-200MJ	1	MH200	Mast Coupler
		MM202	Entrance Cap
		MM200M	2 in. Male Reducer
		MM201	Heavy Duty Rack
		MM505N	Flange c/w Neoprene Collar
	3	MM251	Strap c/w 3/8 in. x 4 in. Lag Bolt
KIT-200MNF	1	MM400	Support Clamp
		MM202	Entrance Cap
		MM201	Heavy Duty Rack
	3	MM200M	2 in. Male Reducer
MMK2-NMH	1	MM251	Strap c/w 3/8 in. x 4 in. Lag Bolt
		MM202	Entrance Cap
		MM201	Heavy Duty Rack
	3	MM505N	Flange c/w Neoprene Collar
MMK2-NMH	3	MM400	Support Clamp
		MM202	Entrance Cap
	1	MH200	Mast Coupler

Service Masts

Mast Kits Suitable for Ontario

Cat. No.	Qty.	Consists of	Description
KIT-100HDM	1	MM104	Entrance Cap
		MM140M	1-1/4 in. Male Reducer
		MM201	Heavy Duty Rack
		MM503	Flange c/w Steel Collar
	3	MM255	Strap c/w 3/8 in. x 5 in. Lag Bolts
KIT-100MH	1	MM104	Entrance Cap
		MM101	Light Duty Rack
		MM505N	Flange c/w Neoprene Collar
	3	MM251	Strap c/w 3/8 in. x 4 in. Lag Bolt
	1	MM200	Female Reducer
KIT-100MN	1	MM104	Entrance Cap
		MM140M	1-1/4 in. Male Reducer
		MM101	Light Duty Rack
		MM505N	Flange c/w Neoprene Collar
	3	MM255	Strap c/w 3/8 in. x 5 in. Lag Bolt
KIT-100NMH	1	MM104	Entrance Cap
		MM101	Light Duty Rack
		MM505N	Flange c/w Neoprene Collar
		MM400	Support Clamp
		MM200	Female Reducer
MMK1	1	MM104	Entrance Cap
		MM101	Light Duty Rack
		MM140M	1-1/4 in. Male Reducer
		MM503	Flange c/w Steel Collar
	3	MM400	Support Clamp
MMK-1N	1	MM104	Entrance Cap
		MM101	Light Duty Rack
		MM505N	Flange c/w Neoprene Collar
	3	MM400	Support Clamp
	1	MM140M	1-1/4 in. Male Reducer
MMK1-NMH	1	MM104	Entrance Cap
		MM101	Light Duty Rack
		MM505N	Flange c/w Neoprene Collar
	3	MM400	Support Clamp
	1	MH200	Mast Coupler
KIT-200MH	1	MM202	Entrance Cap
		MM201	Heavy Duty Rack
		MM200M	2 in. Male Reducer
		MM505N	Flange c/w Neoprene Collar
	3	MM255	Strap c/w 3/8 in. x 5 in. Lag Bolt
KIT-200AM	1	MM202	Entrance Cap
		MM201	Heavy Duty Rack
		MM505N	Flange c/w Neoprene Collar
	3	MM255	Strap c/w 3/8 in. x 5 in. Lag Bolt
	1	MH200	Mast Coupler

Cat. No.	Qty.	Consists of	Description
KIT-200NMH	1	MM202	Entrance Cap
		MM201	Heavy Duty Rack
		MM505N	Flange c/w Neoprene Collar
	3	MM400	Support Clamp
	1	MM200	Female Reducer
MMK2	1	MM202	Entrance Cap
		MM201	Heavy Duty Rack
		MM200M	2 in. Male Reducer
		MM503	Flange c/w Steel Collar
	3	MM400	Support Clamp
MMK-2N	1	MM202	Entrance Cap
		MM201	Heavy Duty Rack
		MM505N	Flange c/w Neoprene Collar
	3	MM400	Support Clamp
	1	MM200M	2 in. Male Reducer
MMK2-NMH	1	MM202	Entrance Cap
		MM201	Heavy Duty Rack
		MM505N	Flange c/w Neoprene Collar
	3	MM400	Support Clamp
	1	MH200	Mast Coupler

Service Masts

Mast Kits Suitable for Quebec

Cat. No.	Qty.	Consists of	Description
KIT-100MN	1	MM104	Entrance Cap
		MM140M	1-1/4 in. Male Reducer
		MM101	Light Duty Rack
		MM505N	Flange c/w Neoprene Collar
KIT-100MH	1	MM104	Entrance Cap
		MM101	Light Duty Rack
KIT-100MNF	1	MM104	Entrance Cap
		MM140M	1-1/4 in. Male Reducer
		MM101	Light Duty Rack
KIT-150AM	1	MM105	1-1/2 in. Entrance Cap
		MM201	Heavy Duty Rack
		MM505N	Flange c/w Neoprene Collar
		MM251	Strap c/w 3/8 in. x 4 in. Lag Bolts
KIT-200AM	1	MM202	Entrance Cap
		MM201	Heavy Duty Rack
		MM200M	2 in. Male Reducer
		MM505N	Flange c/w Neoprene Collar
KIT-200AMGR	1	MM202	Entrance Cap
		MM201	Heavy Duty Rack
		MM200M	2 in. Male Reducer
		MM505N	Flange c/w Neoprene Collar
KIT-200MH	1	MM202	Entrance Cap
		MM201	Heavy Duty Rack
		MM505N	Flange c/w Neoprene Collar
		MM251	Strap c/w 3/8 in. x 5 in. Lag Bolts
KIT-200MNF	1	MM202	Entrance Cap
		MM201	Heavy Duty Rack
		MM200M	2 in. Male Reducer
		MM251	Strap c/w 3/8 in. x 4 in. Lag Bolts

Cat. No.	Qty.	Consists of	Description
KIT-100HDM	1	MM104	Entrance Cap
		MM140M	1-1/4 in. Male Reducer
		MM201	Heavy Duty Rack
		MM503	Flange c/w Steel Collar
KIT-200-PVC	1	SS401-E	Spool Rack
		E998J	2 in. Entrance Cap
		E997JC	2 in. Strap
KIT-200AM-CP	1	PH20	2 in. Hub PVC
		E943J	2 in. Male Adaptor
		C11716	2 in. Locknut
		E986J	2 in. LB Type
KIT-200MH-CP	1	CIDUCT1	Duct Seal
		UA9AJCB-UPC	2 in. PVC Elbow
		MM202	2 in. Entrance Cap
		MM201	Spool Rack
KIT-200AM-CP	3	MM505N	Floor Flange
		MM200M	2 in. Male Reducer
		MM251	Strap c/w 3/8 in. x 4 in. Lag Bolts
		E943J	2 in. Male Adaptor
KIT-200MH-CP	2	C11716	2 in. Locknut
		E986J	2 in. Entrance Cap
		DUCT SEAL	Duct Seal
		UA9AJCB-UPC	2 in. PVC Elbow
KIT-200MH-CP	3	MM202	2 in. Entrance Cap
		MM201	Spool Rack
		MM505N	Roof Flange
		MH200	2 in. Mast Coupler
KIT-200MH-CP	1	MM251	Strap c/w 3/8 in. x 4 in. Lag Bolts
		E943J	2 in. Male Adaptor
		C11716	2 in. Locknut
		E986J	2 in. Entrance Cap
KIT-200MH-CP	1	CIDUCT1	Duct Seal
		UA9AJCB-UPC	2 in. PVC Elbow

Service Masts

Mast Kits Suitable for Quebec and for all Region

KIT-200-PVC – Quebec



Cat. No.	Qty.	Consists of	Description
This mast kit is used in conjunction with 1-1/4 in. rigid conduit			
KIT-200-PVC	1	SS401-E	Spool Rack
	3	E998J	2 in. Entrance Cap
		E997JC	2 in. Strap
	1	PH20	2 in. Hub PVC
	2	E943J	2 in. Male Adaptor
		CH1716	2 in. Locknut
	1	E986J	2 in. LB Type
CIDUCT1		Duct Seal	
	UA9AJCB-UPC	2 in. PVC Elbow	

KIT-200AM-CP – Quebec



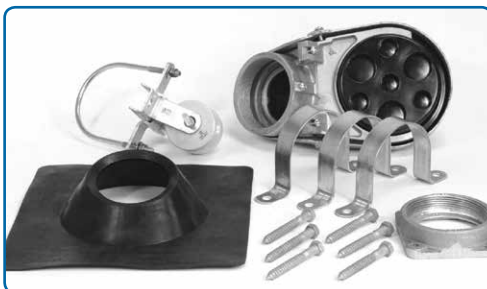
Cat. No.	Qty.	Consists of	Description
This mast kit is used in conjunction with 2 in. rigid conduit			
KIT-200AM-CP	1	MM202	2 in. Entrance Cap
		MM201	Spool Rack
		MM505N	Roof Flange
		MM200M	2 in. Male Reducer
	3	MM251	2 in. Pipe Strap (c/w Lag Screws)
	2	E943J	2 in. Male Adaptor
		CH1716	2 in. Locknut
	1	E986J	2 in. Entrance Cap
		CIDUCT1	Duct Seal
		UA9AJCB-UPC	2 in. PVC Elbow

KIT-200MH-CP – Quebec



Cat. No.	Qty.	Consists of	Description
KIT-200MH-CP	1	MM202	2 in. Entrance Cap
	1	MM201	Spool Rack
	1	MM505N	Roof Flange
	1	MH200	2 in. Mast Coupler
	3	MM251	2 in. Pipe Strap c/w Lag Screws 3/8 x 4 in.
	2	E943J	2 in. Male Adaptor
	2	CH1716	2 in. Locknut
	1	E986J	2 in. Entrance Cap
	1	CIDUCT1	Duct Seal
	1	UA9AJCB-UPC	2 in. PVC Elbow

KIT-400MH – For all Region



Cat. No.	Qty.	Consists of	Description
This mast kit is used in conjunction with 4 in. rigid conduit			
KIT-400MH	1	CIEFA-4	4 in. Entrance Head
	1	MM801	Heavy Duty Spool Rack
	1	MM806N	Roof Flange
	1	MH40	4 in. Mast Coupler
	3	CH1532	Pipe Strap c/w Lag Screws (6) 3/8 x 5 in.

Service Masts

Mast Kits Suitable for New Brunswick, Nova Scotia, Newfoundland and Prince Edward Island

New Brunswick

Cat. No.	Qty.	Consists of	Description
KIT-100	1	MM104	Entrance Cap
	1	MM140M	1-1/4 in. Male Reducer
	3	MM251	Strap c/w 3/8 in. x 4 in. Lag Bolts
	1	MM505N	Flange c/w Neoprene Collar
KIT-100NBMH	1	MM104	Entrance Cap
	3	MM251	Strap c/w 3/8 in. x 4 in. Lag Bolts
	1	MH200	Mast Coupler
	1	MM505N	Flange c/w Neoprene Collar
KIT-200	1	MM202	Entrance Cap
	1	MM200M	2 in. Male Reducer
	3	MM251	Strap c/w 3/8 in. x 4 in. Lag Bolts
	1	MM505N	Flange c/w Neoprene Collar
KIT-200MH	1	MM202	Entrance Cap
	1	MM201	Heavy Duty Spool Rack
	1	MH200	Mast Coupler
	3	MM255	Strap c/w 3/8 in. x 5 in. Lag Bolts
KIT-206NBMH	1	MM505N	Flange c/w Neoprene Collar
	1	MM202	Entrance Cap
	1	MH200	Mast Coupler
	3	MM251	Strap c/w 3/8 in. x 4 in. Lag Bolts
KIT-200NBMH	1	MM506N	All Neoprene Roof Flange
	1	MM202	Entrance Cap
	1	MH200	Mast Coupler
KIT-106NBMH	1	MM202	Entrance Cap
	3	MM251	Strap c/w 3/8 in. x 4 in. Lag Bolts
	1	MH200	Mast Coupler

Newfoundland

Cat. No.	Qty.	Consists of	Description
KIT-100MH	1	MH200	Mast Coupler
	1	MM104	Entrance Cap
	1	MM101	Light Duty Spool Rack
	3	MM251	Strap c/w 3/8 in. x 4 in. Lag Bolts
KIT-100NBMH	1	MM505N	Flange c/w Neoprene Collar
	1	MM104	Entrance Cap
	3	MM251	Strap c/w 3/8 in. x 4 in. Lag Bolts
KIT-205LDMH	1	MH200	Mast Coupler
	1	MM505N	Flange c/w Neoprene Collar
	3	MM251	Strap c/w 3/8 in. x 4 in. Lag Bolts

Nova Scotia

Cat. No.	Qty.	Consists of	Description
KIT-100MN	1	MM104	Entrance Cap
	1	MM140M	1-1/4 in. Male Reducer
	1	MM101	Light Duty Spool Rack
	3	MM255	Strap c/w 3/8 in. x 5 in. Lag Bolts
KIT-100	1	MM505N	Flange c/w Neoprene Collar
	1	MM104	Entrance Cap
	1	MM140M	1-1/4 in. Male Reducer
	3	MM251	Strap c/w 3/8 in. x 4 in. Lag Bolts
KIT-100NSMH	1	MM505N	Flange c/w Neoprene Collar
	1	MM104	Entrance Cap
	4	MM251	Strap c/w 3/8 in. x 4 in. Lag Bolts
	1	MM505N	Flange c/w Neoprene Collar
KIT-200AM	1	MH200	Mast Coupler
	1	MM202	Entrance Cap
	1	MM201	Heavy Duty Spool Rack
	3	MM255	Strap c/w 3/8 in. x 5 in. Lag Bolts
KIT-200	1	MM200M	2 in. Male Reducer
	1	MM505N	Flange c/w Neoprene Collar
	1	MM202	Entrance Cap
	1	MM200M	2 in. Male Reducer
KIT-200NSMH	3	MM251	Strap c/w 3/8 in. x 4 in. Lag Bolts
	1	MM505N	Flange c/w Neoprene Collar
	1	MM202	Entrance Cap
	1	MH200	Mast Coupler
KIT-200NSMH	3	MM251	Strap c/w 3/8 in. x 4 in. Lag Bolts
	1	MM505N	Flange c/w Neoprene Collar
	1	MM202	Entrance Cap
	1	MH200	Mast Coupler

Prince Edward Island

Cat. No.	Qty.	Consists of	Description
KIT-100MH	1	MM104	Entrance Cap
	1	MM101	Light Duty Spool Rack
	3	MM251	Strap c/w 3/8 in. x 4 in. Lag Bolts
	1	MM505N	Flange c/w Neoprene Collar
KIT-106NBMH	1	MH200	Mast Coupler
	1	MM104	Entrance Cap
	3	MM251	Strap c/w 3/8 in. x 4 in. Lag Bolts
KIT-200MH	1	MH200	Mast Coupler
	1	MM506N	All Neoprene Roof Flange
	1	MM202	Entrance Cap
	1	MM201	Heavy Duty Spool Rack
KIT-200NBMH	1	MM200	Mast Coupler
	3	MM255	Strap c/w 3/8 in. x 5 in. Lag Bolts
	1	MM505N	Flange c/w Neoprene Collar
	1	MM202	Entrance Cap
KIT-206NBMH	1	MH200	Mast Coupler
	1	MM251	Strap c/w 3/8 in. x 4 in. Lag Bolts
	1	MM505N	Flange c/w Neoprene Collar
	1	MM202	Entrance Cap