

# ML100S24DC

Class 2 Magnetic Dimmable

Outdoor Black Powder Coated Steel Enclosure

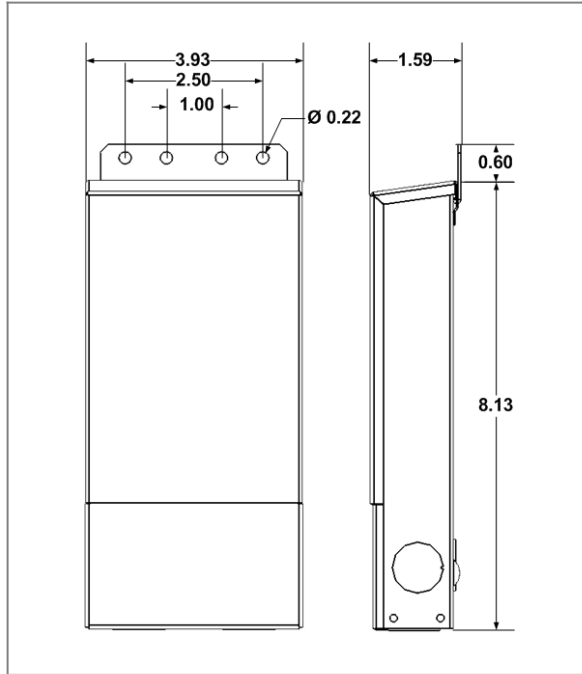
Single Circuit: 24VDC

Total Wattage: 96W max

Input Voltage: 120V 60Hz



Conforms to UL STD. 1310  
Certified to CSA  
STD. C22.2 No. 223  
model EM100



## Transformer

Dimmable with any LV magnetic dimmer as long as you cover dimmer's min load.

Temperature class B(130°C)

Input leads are 18AWG 600V

Output leads are 18AWG 300V

Leads max. operational temperature is 105°C

Thermal self reset primary breaker 200A

Thermal self reset secondary breaker 400A

## Housing

The actual transformer 96W is encapsulated in the enclosure

The enclosure is Black Powder Coated Steel, NEMA 3R rated

Wiring compartment has 5 knockouts sizes for 3/8 inch screw cable connectors

Enclosure Temperature does not exceed 75°C at 45°C ambient and fully loaded

Dimensions (inch): H = 813, W = 393, D = 159

Weight (LBs): 4

## Electrical Parameters

Input Voltage: 120V 60Hz

Max. input current at full load: 110A

Output voltage without load: 272VDC

Output voltage fully loaded: 230VDC

Max. Total Wattage: 96W

Max. Output Current: 40A

Efficiency: 85%

