

DELUXE CONTROL CABINETS - "3R" SERIES

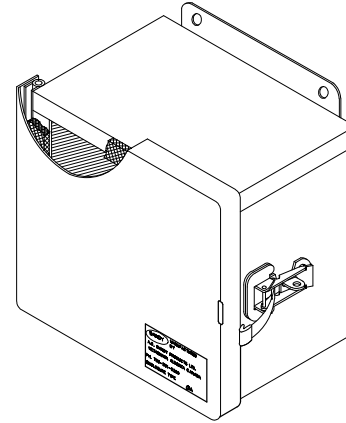
HINGED COVER

Model #DBR

- EEMAC 3R enclosure
- Specifically designed as a medium body deluxe, attractive, heavy duty control cabinet c/w safety soft machine formed corners on fully gasketed door c/w piano hinge & locking quick clasp closer
- Suitable for indoor or outdoor use
- Steel construction - code guage. ASA 61 grey powder paint finish
- External mounting ears on top & bottom
- Galvanized shoebox style backpans
- No knockouts in enclosure



17-03



Model #DBR 16-14-6 HHB Shown

| Model # | H x W x D (") | Weight (lbs) | Clasps (qty) |
|------------------|---------------|--------------|--------------|
| DBR 8-8-4 HHB | 8 x 8 x 4 | 7 | 1 |
| DBR 10-8-4 HHB | 10 x 8 x 4 | 9.8 | 1 |
| DBR 10-8-6 HHB | 10 x 8 x 6 | 10 | 1 |
| DBR 12-10-6 HHB | 12 x 10 x 6 | 13.5 | 1 |
| DBR 12-12-10 HHB | 12 x 12 x 10 | 15 | 1 |
| DBR 14-12-6 HHB | 14 x 12 x 6 | 15.4 | 1 |
| DBR 16-14-6 HHB | 16 x 14 x 6 | 17 | 1 |
| DBR 18-16-6 HHB | 18 x 16 x 6 | 27.9 | 1 |
| DBR 18-16-8 HHB | 18 x 16 x 8 | 29.3 | 1 |
| DBR 20-20-6 HHB | 20 x 20 x 6 | 33.6 | 1 |
| DBR 20-18-8 HHB | 20 x 18 x 8 | 32.9 | 1 |
| DBR 24-10-6 HHB | 24 x 10 x 6 | 34.2 | 1 |
| DBR 24-16-8 HHB | 24 x 16 x 8 | 37.3 | 1 |
| DBR 24-20-6 HHB | 24 x 20 x 6 | 40.5 | 1 |
| DBR 24-20-8 HHB | 24 x 20 x 8 | 41.2 | 1 |
| DBR 24-24-8 HHB | 24 x 24 x 8 | 51 | 1 |
| DBR 30-24-8 HHB | 30 x 24 x 8 | 63.4 | 2 |
| DBR 30-24-10 HHB | 30 x 24 x 10 | 68.5 | 2 |
| DBR 30-30-6 HHB | 30 x 30 x 6 | 72.7 | 2 |
| DBR 36-24-10 HHB | 36 x 24 x 10 | 79.8 | 2 |

Options

- Custom sizes available
- Locking clasp - padlockable type
- EEMAC 4 4X or 12
- 04 or 316 stainless steel construction
- Aluminum construction
- Concealed piano hinge
- Square door corner style (add suffix '-SQ')