



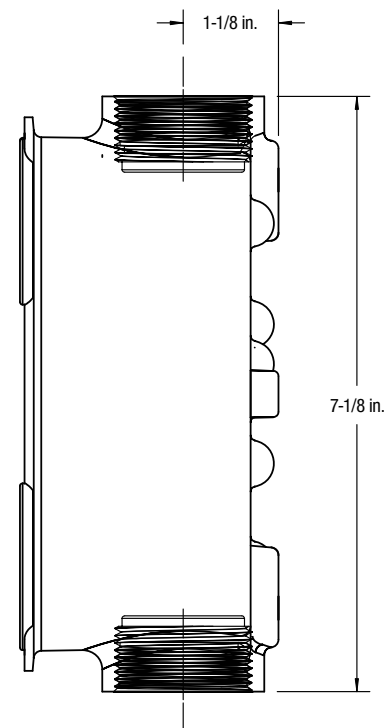
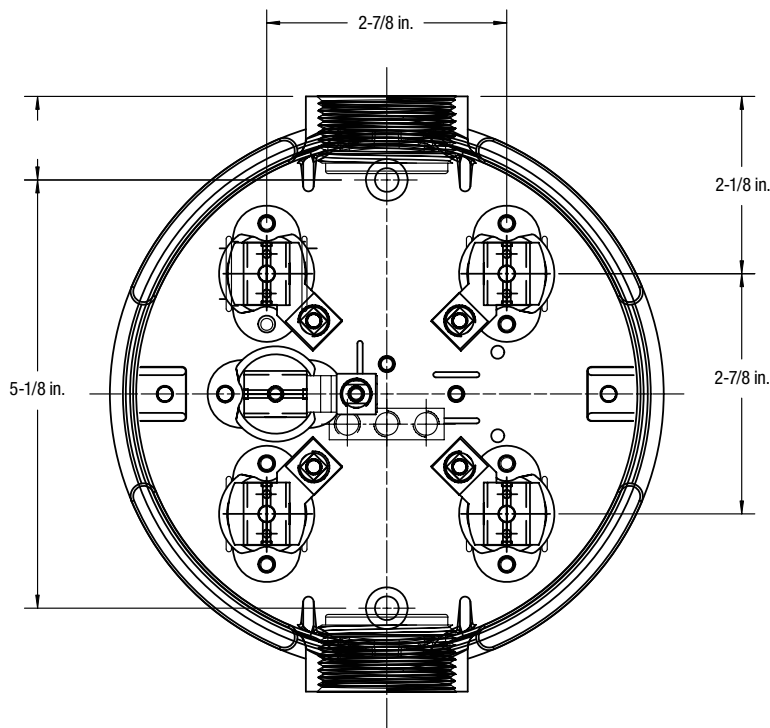
(RS-1V)

R3 Series

100 A 600 V; Round Aluminum

Product Specifications

- Conductor range: 14-2 AWG
- Aluminum tunnel type connectors for both load and line sides
- Can be converted from vertical to horizontal mounting using same components
- Supplied with screw type ring
- Aluminum die cast socket
- Weatherproof Type 3R enclosure
- **Primarily used in: B.C., Northern Ont.**



 Approved for copper only

Cat. No.	Description	Dimensions (in.)		Weight Each	
		Dia.	D	lb.	kg
4 JAW					
R3-1V	1 in. hub	7-1/8	3-1/8	2	0.9
R3-1-1/4V	1-1/4 in. hub				
R3-1-5V	1 in. hub - 5 th jaw, standard capacity, 9 o'clock position				
R3-1 1/4-5V	1-1/4 in. hub - 5 th jaw, standard capacity, 9 o'clock position				

BA3 Series

100 A 600 V; Shallow

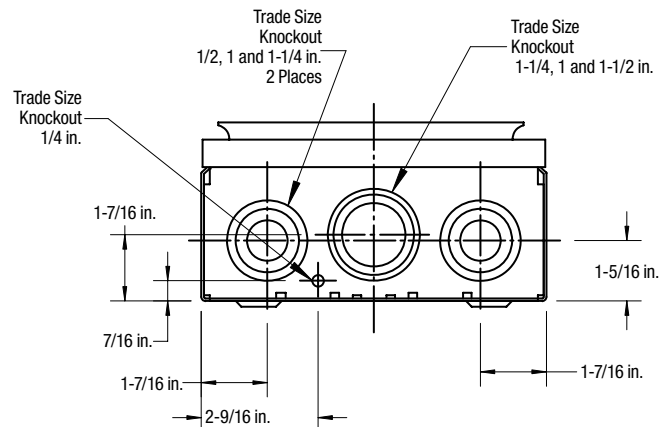
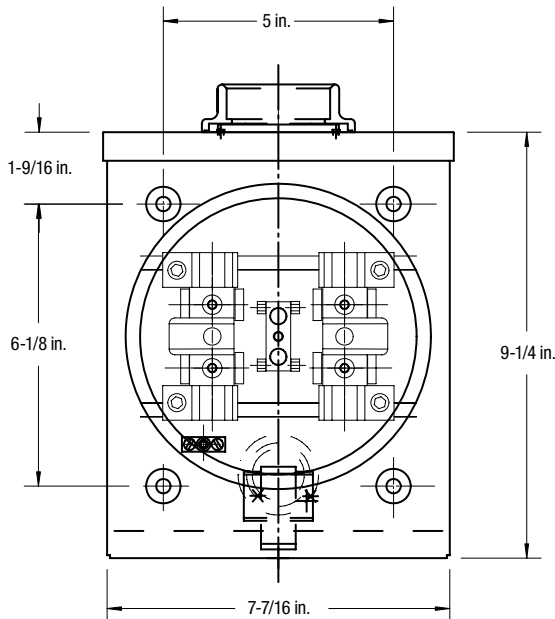
Product Specifications


- Conductor range: 6-2 AWG
- Aluminum tunnel type connectors for both load and line sides
- For overhead, underground and combination overhead/underground
- Supplied with screw type ring
- Weatherproof Type 3R enclosure
- **Primarily used in: All provinces**

Note: Supply from an underground network often requires use of stud type connector. Consult your local utility.



(BA3-1 1/4V)



 Approved for copper only

Cat. No.	Description	Dimensions (in.)			Weight Each	
		H	W	D	lb.	kg
4 JAW						
BA3-V	Overhead, hub opening	9-1/4	7-7/16	3-11/16	5	2.2
BA3-1V	Overhead, hub opening, c/w 1 in. hub					
BA3-1 1/4V	Overhead, hub opening, c/w 1-1/4 in. hub					
BA3-TV	Underground					
BA3-TCV	Combination overhead-underground					
BA33-V	Overhead, twin hub opening					
BA33-1V	Overhead, twin hub opening c/w 1 in. hubs					
BA33-1 1/4V	Overhead, twin hub opening, c/w 1-1/4 in. hubs					
BA4-V	Indoor type, K.O. on top					
FACTORY-INSTALLED ACCESSORIES						
Include: -IN	Insulated Neutral					
-5	5 th jaw, standard capacity, 9 o'clock position					
-9	5 th jaw, full capacity, 9 o'clock position					