



CERTIFICATIONS

- cULus/ETL
- RoHS
- IECC

CRI 90+

COLOR QUALITY 3-Step MacAdam Ellipses

LUMEN OUTPUT 960 Lumens

LUMEN PER WATT Up to 64

CCT 27K, 30K

OPTIC 45° Cut-Off

WARRANTY 5 Years

- New York state
- Made in USA
- UL/cUL Listed for Wet
- UL/cUL Listed for
- California Title 24
- Washington state
- LM79/LM80

UNIQUELY ENGINEERED FOR NEW AND EXISTING CONSTRUCTION

The RL531 is the newest, most efficient, and advanced LED retrofit modules from ELITE Lighting. It's unique design delivers color quality above a 90 CRI rating. The color matching has never been so close, with a binning as low as 3 MacAdams ellipses. The RL531 LED retrofits meet all new mandatory California Title 24 requirements.

The Elite RL531 LED Module has been engineered for new constructions to meet Title-24's "No Edison Socket" mandate. The Elite RL531 LED system works in our dedicated (LD5IC-AT, LD5RIC-AT, LD5IC-AT, and LD5RIC-AT) housings and our existing 5" Incandescent housings (B5IC-AT, B25IC-AT, B25RIC-AT, B5RIC-AT) but is also suitable for using in most 5" Incandescent recessed downlight housings in the market.

INPUT VOLT.	INPUT FREQ.	INPUT CUR.	THD	POWER FACTOR	INPUT POWER	LUMENS
120	50/60Hz	125mA	<20%	>0.9	15W(+/-5%)	960

DURABILITY

Our die-cast system pulls the heat from the LED chip, allowing the continued cool operation for years. Our LED driver is rated for 50 to 60 Hz at 120V input, and produces less than 20% THD, has a power factor between 0.90 and 1.00 and is thermal protected for additional safety.

DIMMABLE

The Elite LED Module is dimmable down to 15% of initial light output with compatible dimmers. Consult factory for complete list of compatible dimming systems.

OUR WORD

The Elite LED lighting system carries a five-year carefree warranty for parts and components. (Labor not included.)

FEATURES

- Over 950 usable lumens are directed from the luminaire to the work surface
- Greater light output than a 26W CFL or a 65W BR30 while consuming less than 15W of power
- Rated at 90+ CRI to meet California Title-24 strict compliance standards
- Life tested to ensure light output up to 50,000 hours of operation to L70
- Glare reducing cut-off angle of 55 degrees
- High performance optic hides LED chip image but still delivers an even beam of light
- Elite's highly selective LED chips produce zero ultraviolet and virtually no infrared light
- Tested to LM-79 and LM-80 standards
- UL listed for safety



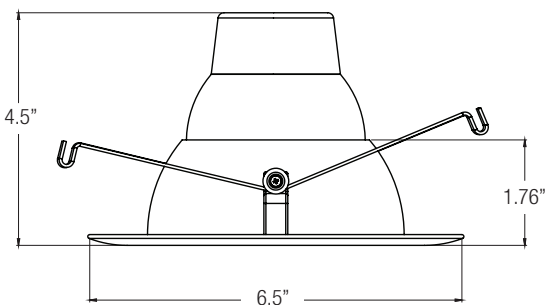
Elite's innovative LED retrofit downlight modules deliver the brightest, most beautiful and most energy efficient ambient lighting to replace any lamp type on your existing fixture.

Example: **RL531-950L-DIMTR-120-30K-W-WH**

RL531					
TYPE	950L SERIES	CCT	CRI	FINISH	OPTION
RL531 (REFLECTOR)	<input type="checkbox"/> 950L-DIMTR-120	<input type="checkbox"/> 27K <input type="checkbox"/> 30K	<input type="checkbox"/> 90+	<input type="checkbox"/> W-WH	<input type="checkbox"/> GU24SA GU24 SOCKET ADAPTER

*RECOMMENDED DIMMERS FOR ELITE RL531 LED SYSTEM

LUTRON DIMMERS		LUTRON CONTROL SYSTEM		LUTRON CONTROL SYSTEM	
INCANDESCENT		MAGNETIC LOW VOLTAGE		DIMTR	
Diva DVCL-153P	Maestro MRF2-6ND	NovaNLV-600	NovaT NTLV-600	Homeworks HW/LP-RPM-4A-120	
SkyLark CTCL-153P	NovaT NTELV-600	NovaT NTLV-600	NovaT NTLV-600	PHPM-PA	
Nova N-600	Diva DVELV-300P	Diva DVLV-600P	Diva DVLV-600P	Graphic Eye QS	
NovaT NT-600	SkyLark SELV-300P	Leviton Dimmer 6613-PL	Leviton Dimmer 6613-PL	Radio RA2 RRD-10ND	
SkyLark S-600	Nova NELV-450			PHPM-PA	
Ariadni AY-600P	SkyLark S-1000			ELV1-1000	
Nova NTLV-600	Decora 06633-766				
Nova NLV-600	Decorra 6674				
	Toggle Dimmer TGI06-1LW				



INSTALLATION

Ez connector to use with special High efficacy housing or Edison base adapter for retrofitting into existing 5" Incandescent Housings.

- Utilizes industry standard V springs, installs in most 5" incandescent down lights.
- Insert V springs into can and press trim to ceiling. Friction Blades included as well.



5 INCH LED RETROFIT MODULE