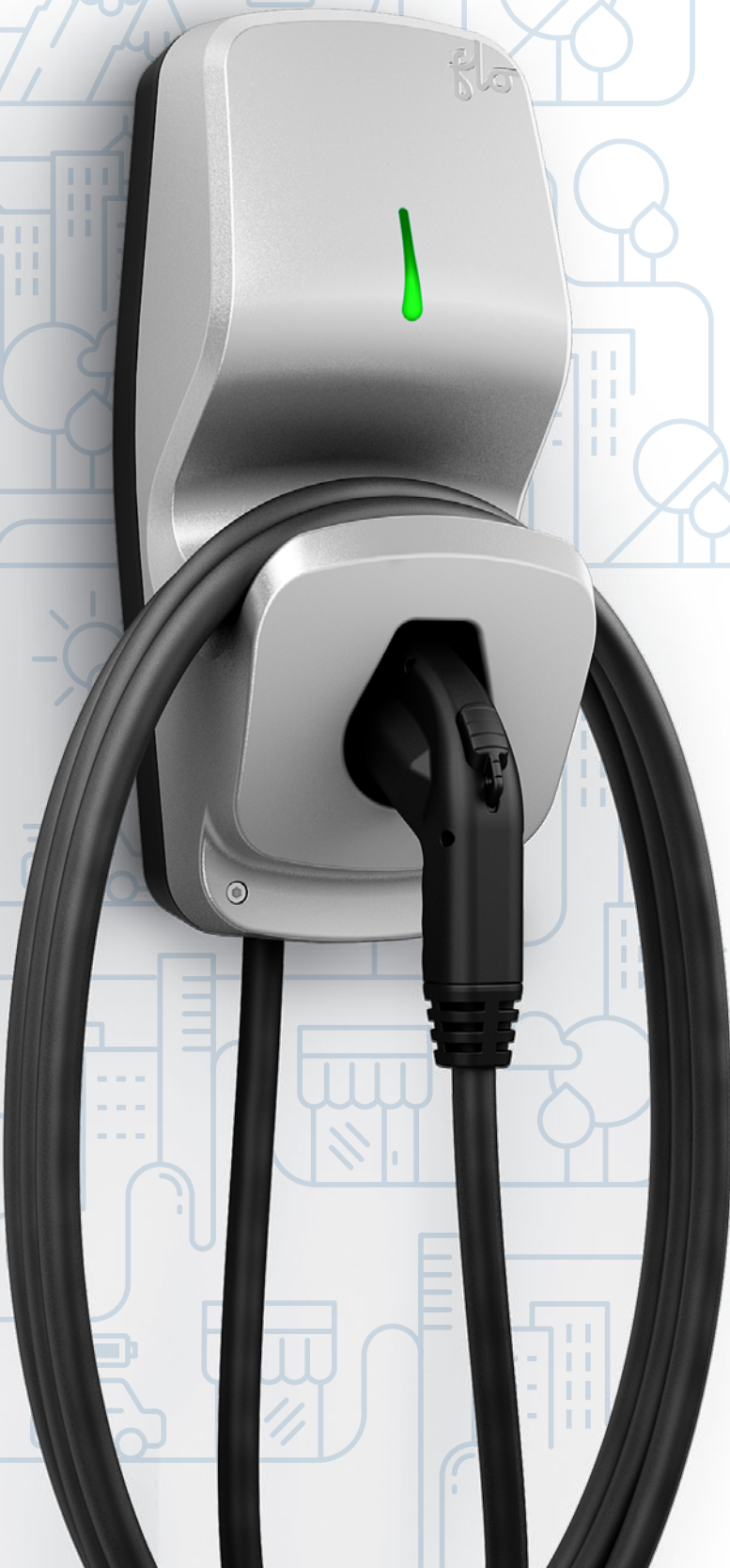




# X5 Model

240 V | 30 A | 7.2 kW

Extremely sturdy and made in Canada, our FLO Home X5 residential smart charging station lets you view and manage settings from your private FLO account.



### Connected

Track your data usage, access smart features like Charging Schedule and experience real time charging with the FLO app



### Future-Proof

Automatic software update and easy addition of a 2<sup>nd</sup> X5 on the same breaker



### Quality Cable and Connector

25' commercial grade cable that ensures resilient flexibility



High quality universal connector built to last 10 years +

### Robust Casing

Made of 100% aluminum with a highly resistant finish



### Built-in Security

Safe for your electric vehicle and your home



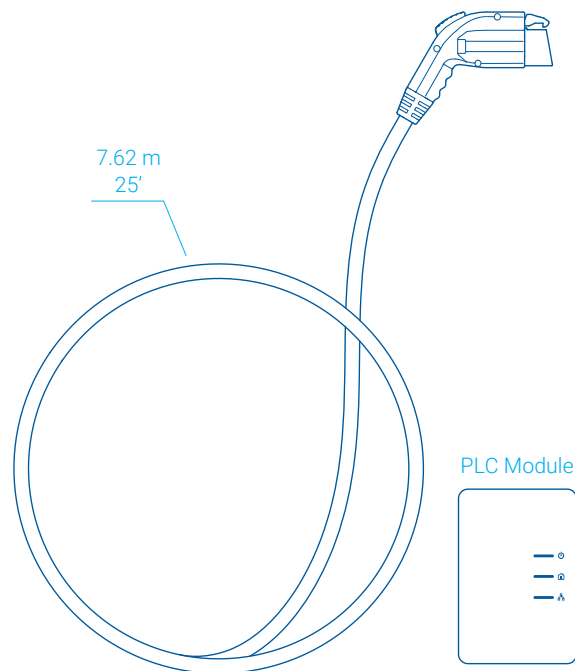
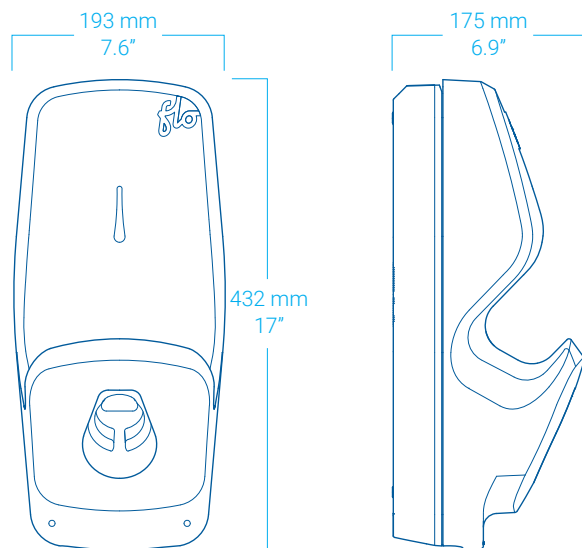
**3-Year**  
Limited Warranty

  
**Made in  
Canada**



# Technical Specifications

## X5 Model



**Type**  
Level 2 Charging Station

**Casing**  
100% aluminum  
NEMA 4X certified  
Designed for outdoor or indoor installation

**Finish**  
Metallic Grey with high resistance coating

**Power Sharing**  
Included

**Charging Schedule**  
Included

**Voltage**  
208 - 240 V @ 60 Hz

**Charging Power**  
6.2 - 7.2 kW

**Cable**  
7.62 m / 25' commercial grade cable

**Charging Connector**  
SAE J1772™ designed to withstand 10,000+ charging cycles

**Certification**



**Security Features**  
Integrated GFCI 20 mA, 3 reset attempts at 15-minute intervals

**Operating Temperature**  
-40 °C to 50 °C  
-40 °F to 122 °F

**Wall Bracket**  
Included

**Installation**  
Must be installed by a qualified electrician

**Weight**  
11.23 kg / 24.76 lb

**Communication Interface**  
"HomePlug" power-line communication  
\*PLC module included

**Limited Warranty**  
3 years

**Model Number**  
FH-1-STA-X5-HY5N-FL1

**Conformity**  
 CAN ICES-3 (B)/NMB-3(B)  
In conformity with  
IC: NMB - 006