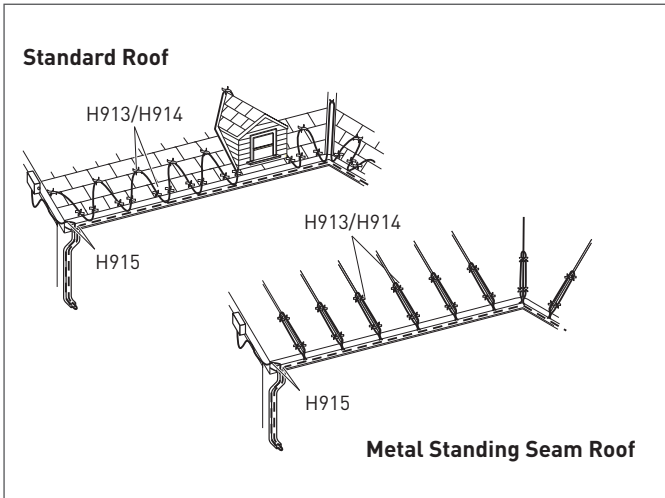


Raychem H913 H914 H915

INSTALLATION INSTRUCTIONS



H913 WINTERGARD WET ROOF CLIP (10)
H914 WINTERGARD WET ROOF CLIP (50)
H915 WINTERGARD WET HANGER BRACKET CLIP

DESCRIPTION

The H913 and H914 Roof Clip Kits and the H915 Hanger Bracket Kit are for use with Raychem WinterGard Wet and Raychem Gardian heating cables. Carefully follow these instructions. Do not use other hardware or techniques which may damage the heating cable and create an electrical hazard, risk of fire, or poor performance.

H913/H914

The H913 and H914 roof clips are used to secure WinterGard Wet and Gardian heating cables to shingle and metal seam roofs and gutters. For applications where nails and screws will be used to install clips, go to page 2. For applications where adhesive will be used to install clips, go to page 3. The H913 is a bag of 10 clips and the H914 is a box of 50 clips.

H915

The H915 hanger bracket is used to provide mechanical protection to the WinterGard Wet and Gardian heating cables as it goes over sharp edges and to hold the heating cable in place at the top of downspouts. Refer to page 4 for instruction on how to install the H915 hanger bracket.

TOOLS REQUIRED

- Hammer
- Caulking Gun
- Recommended Adhesives for Metal Roofs
 - SpeedBonder® H3300 (Methacrylate Adhesive)
 - SpeedBonder H4800 (Methacrylate Adhesive)
 - Plexus® MA300 (Methacrylate Adhesive)
 - Plexus MA310 (Methacrylate Adhesive)
 - GE® Grey RTV 167 Adhesive (Neutral-cure Silicone Adhesive)
- Pliers

APPROVALS



877Z De-icing and
Snow Melting Equipment



H913 KIT CONTENTS

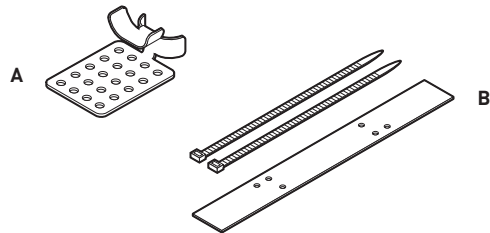
Item	Qty	Description
A	10	Roof clips

H914 KIT CONTENTS

Item	Qty	Description
A	50	Roof clips

H915 KIT CONTENTS

Item	Qty	Description
B	1	Hanger bracket



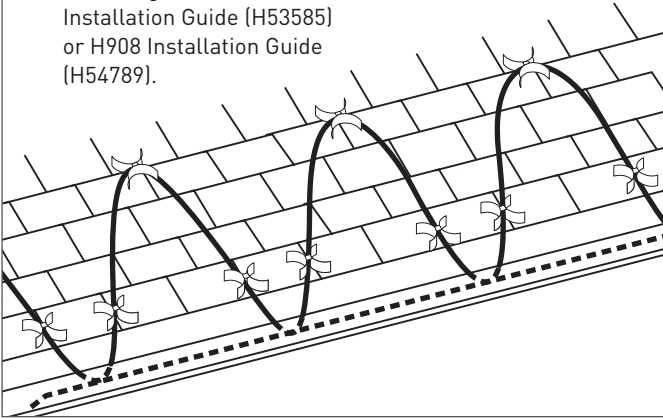
WARNING:

- WinterGard Wet Roof Clips and Hanger Brackets must be installed properly to ensure proper operation and to prevent the risk of electrical hazard or fire. Follow all design, installation, assembly, and test instructions carefully.
- To minimize the danger of fire from sustained electrical arcing if the heating cable is damaged or improperly installed, and to comply with the requirements of Pentair Thermal Management and national electrical codes, ground-fault equipment protection must be used on each heating cable branch circuit. Arcing may not be stopped by conventional circuit protection.
- Do not use WinterGard Wet Roof Clip and Hanger Bracket for installation on slate or tile roofs as damage may occur to roof material. Consult roofing manufacturer for components approved for use on specific roof material.
- Damaged heating cable can cause arcing or fire. Do not energize damaged heating cable. Repair or replace damaged heating cable prior to applying power.
- While using pliers to close clamps on heating cable, heating cable should not be crushed or altered structurally in any way.

WinterGard Wet Roof Clip

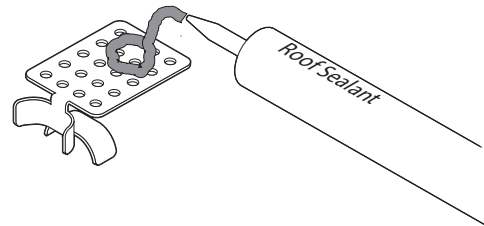
1

- Determine heating cable layout and clip placement according to H900 Installation Guide (H53585) or H908 Installation Guide (H54789).



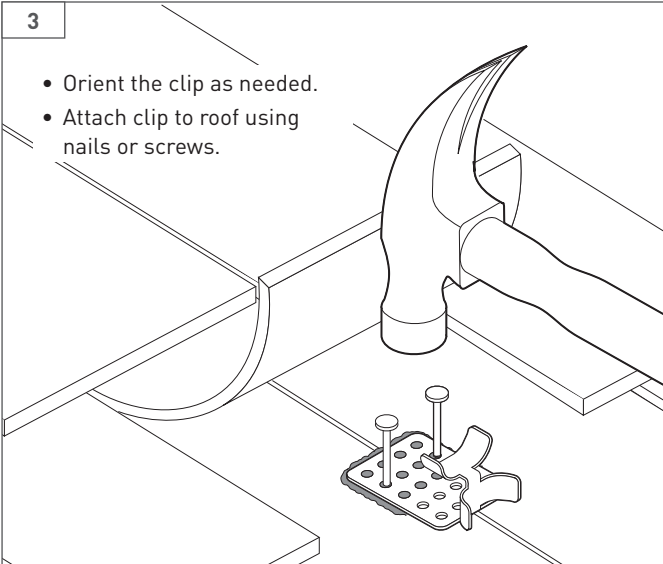
2

- Apply sealant, appropriate for your roof, to back side of clip where nail or screw will be used.



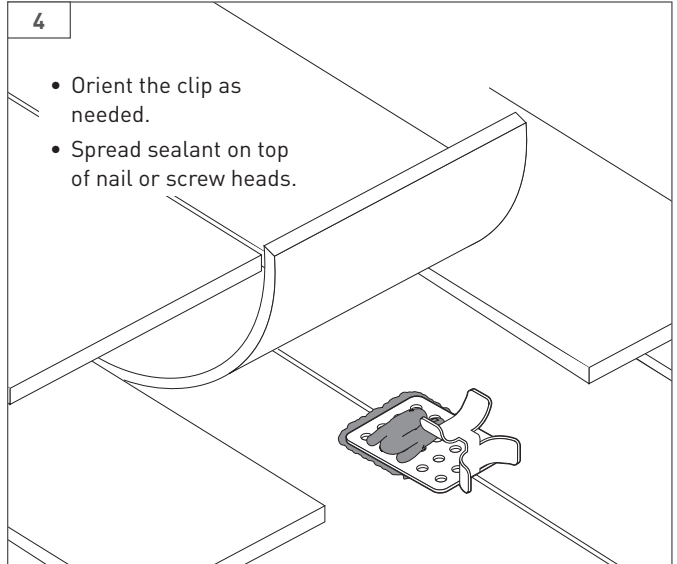
3

- Orient the clip as needed.
- Attach clip to roof using nails or screws.



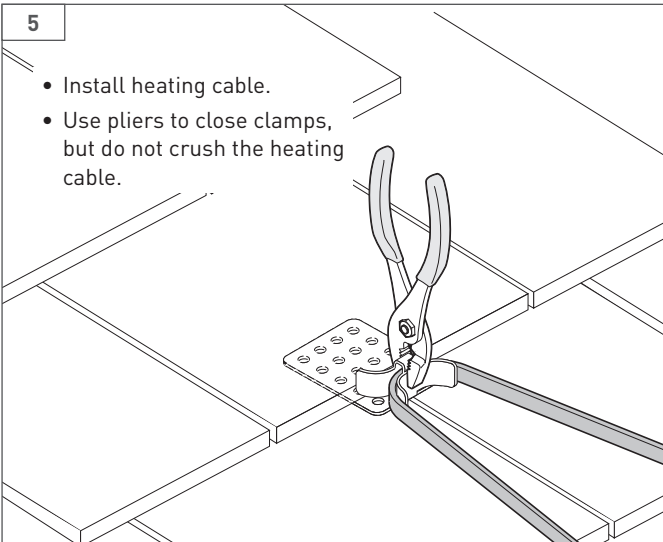
4

- Orient the clip as needed.
- Spread sealant on top of nail or screw heads.



5

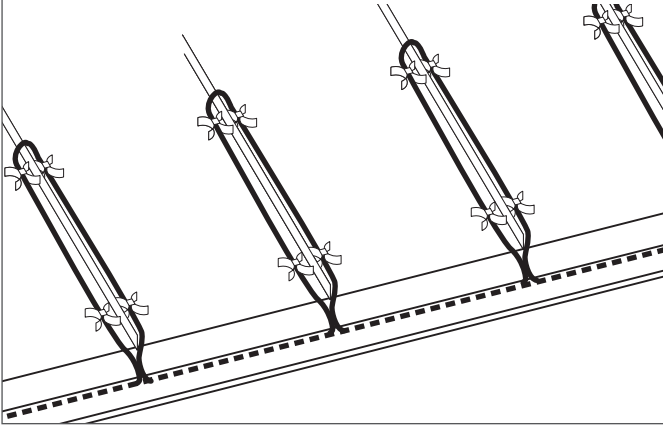
- Install heating cable.
- Use pliers to close clamps, but do not crush the heating cable.



WinterGard Wet Roof Clip

1

- Determine heating cable layout and clip placement according to H900 Installation Guide (H53585) or H908 Installation Guide (H54789).



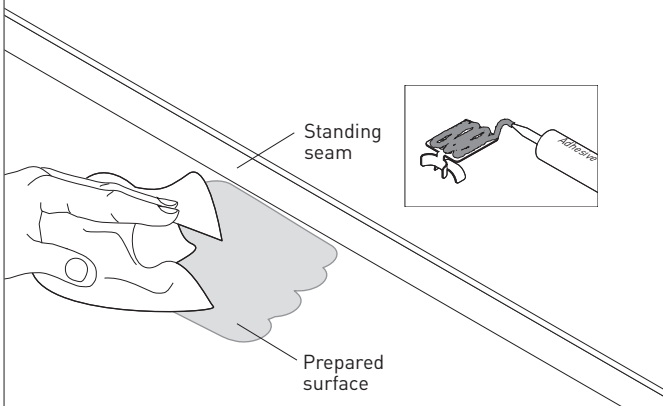
2

Adhesive Selection:

- See Tools Required section on page 1 for appropriate adhesive, recommended by roofing manufacturers.

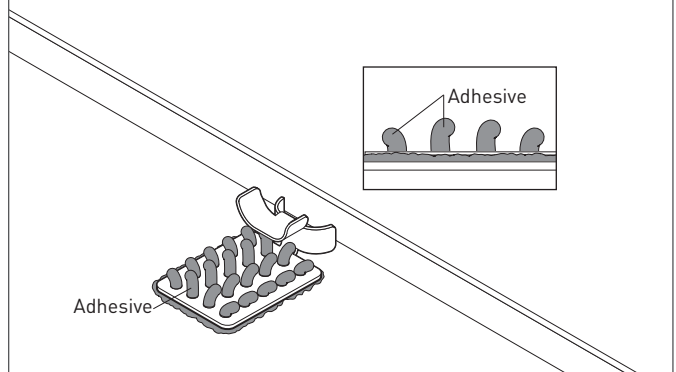
3

- Prepare roof surface per adhesive manufacturer's specifications.
- Apply a liberal amount of adhesive to back side of H913/H914.



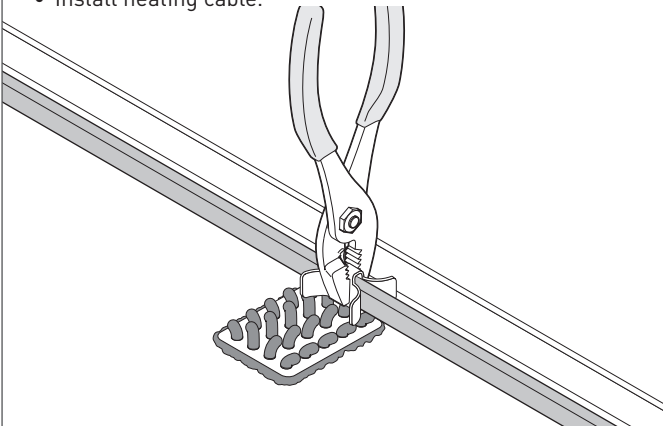
4

- Place clip on prepared surface. Press down to ensure adhesive flows through holes.
- Do not trim back adhesive beads because they help hold the clip down.



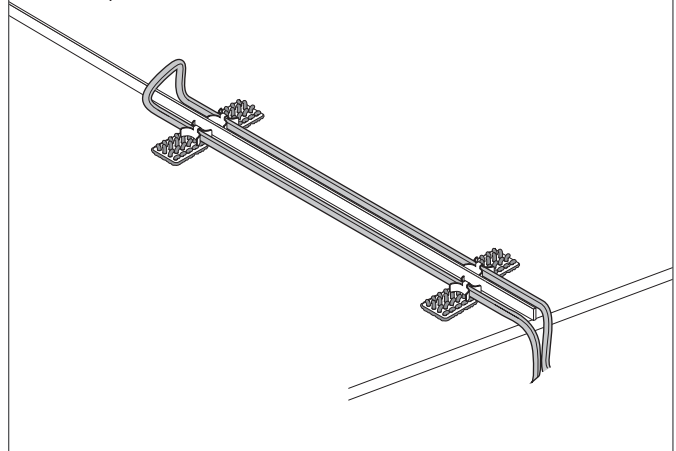
5

- Allow adhesive to cure per manufacturer's specifications.
- Install heating cable.



6

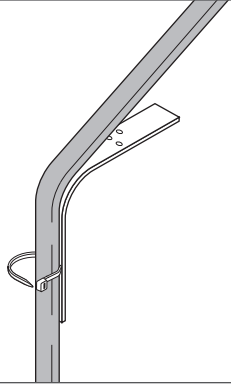
- Completed installation.



WinterGard Hanger Bracket Clip

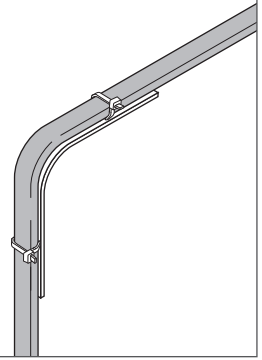
1

- Bend the H915 to approximately 90°.
- Insert cable ties through holes on the H915.

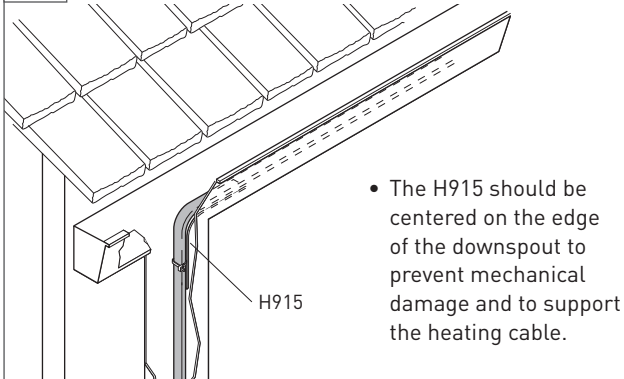


2

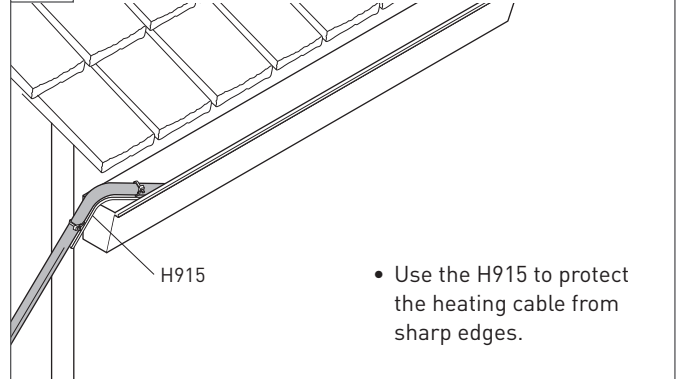
- Position the H915 and tighten the cable ties.
- Trim off excess cable tie.



3A Installing H915 in Downspout

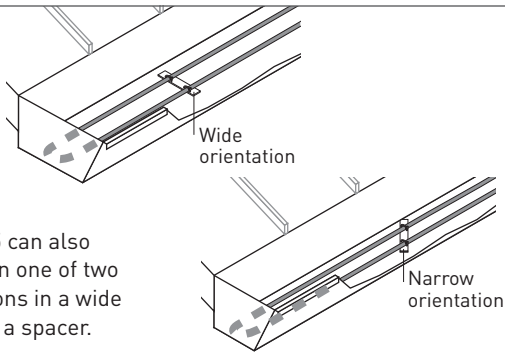


3B Installing H915 for Mechanical Protection



4

- The H915 can also be used in one of two orientations in a wide gutter as a spacer.



WWW.THERMAL.PENTAIR.COM

NORTH AMERICA

Tel: +1.800.545.6258
Fax: +1.800.527.5703
Tel: +1.650.216.1526
Fax: +1.650.474.7711
thermal.info@pentair.com

EUROPE, MIDDLE EAST, AFRICA

Tel: +32.16.213.511
Fax: +32.16.213.603
thermal.info@pentair.com

ASIA PACIFIC

Tel: +86.21.2412.1688
Fax: +86.21.5426.2917
cn.thermal.info@pentair.com

LATIN AMERICA

Tel: +55.11.2588.1400
Fax: +55.11.2588.1410
thermal.info@pentair.com

Pentair, Gardian, WinterGard, and WinterGard Wet are owned by Pentair or its global affiliates. All other trademarks are the property of their respective owners. Pentair reserves the right to change specifications without prior notice.

© 1999-2013 Pentair.