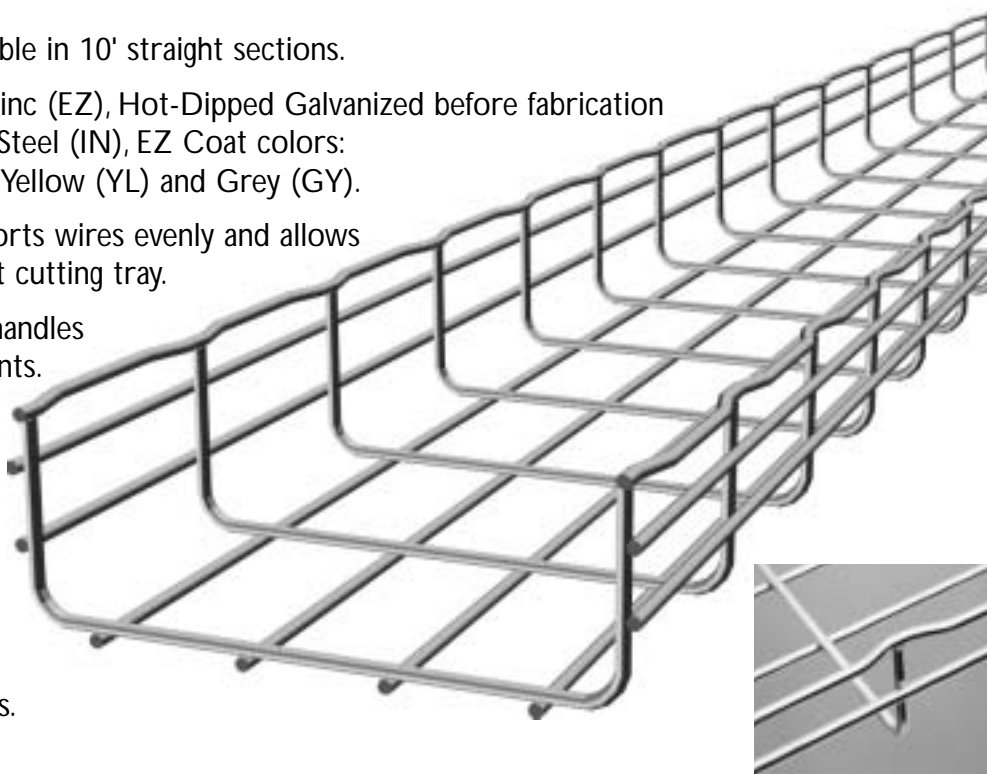


# CF 105 – 4" Deep Tray

**EZTray™**

- 4" Deep Tray is available in 10' straight sections.
- Available in Electro Zinc (EZ), Hot-Dipped Galvanized before fabrication (GC), 316L Stainless Steel (IN), EZ Coat colors: Black (BL), Red (RD), Yellow (YL) and Grey (GY).
- 2"x4" wire grid supports wires evenly and allows easy dropout without cutting tray.
- Welded wire design handles most load requirements. (see load table)
- Wire tray design resists dirt and dust build up.
- "Safe-T-Edge" design eliminates sharp edges – is easy on installers and cables.

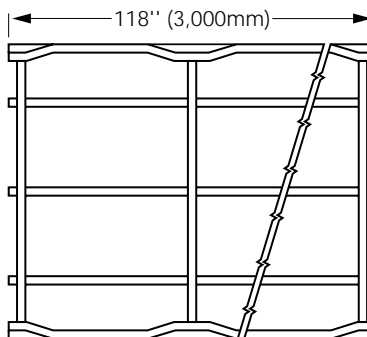
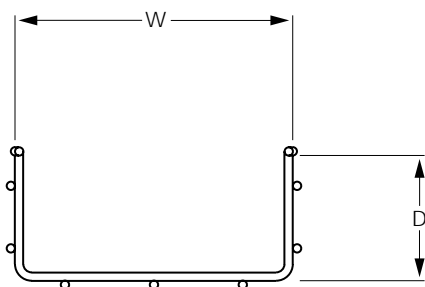


Cablofil's "Safe-T-Edge"

Part #	Tray Configuration	D	W	lb.	No. of Cat 5 Cable at 100% fill
CF 105/200 EZ		4"	8"	15.9	864
CF 105/300 EZ		4"	12"	21.8	1308
CF 105/450 EZ*		4"	18"	30.0	1972
CF 105/600 EZ*		4"	24"	41.0	2637

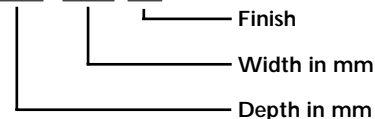
Note: English dimensions are nominal. Metric dimensions are exact.

\* No safety edge on these items.



Our part number makes it easy to identify tray size and finish.

CF XXX / XXX XX



**CABLOFIL** <sup>INC.</sup>

INNOVATORS IN CABLE MANAGEMENT

tel 618-566-3230  
800-658-4641  
fax 618-566-3250  
www.cablofil.com