

Date: _____
 In hands date of project: _____
 Project name/Number: _____
 Name of distributor: _____
 Client #: _____
 Name of end user: _____



ORDERING INFORMATION

Order code: 66261
 Description: LWR4/120-277/42W/40K/FR/A2/STD
 UPC: 69549662612
 Case quantity: 1

FEATURES AND SPECIFICATIONS

Applications: Designed for commercial and residential applications
 Mounting option: Surface
 Lens material: Frosted PMMA
 Housing material: Steel (White)
 DLC : DLC Standard

FIXTURE PERFORMANCE

Volts (VAC): 120-277
 Frequency (Hz): 50/60
 Watts (W): 42
 Colour temperature (K): 4 000
 CRI: 80+
 Life L90 (hrs): 36 000
 Life L70 (hrs): 50 000
 Lumens (lm): 4 288
 Efficacy (LPW): 105
 Beam angle (°): 120
 Dimmable: 0-10 V
 Operating Temperature (range): -20°C to 55°C (-4°F to 131°F)
 Input Current (A): 0.45
 Output Current (mA): 1 000
 Surge protection (kV): 2.5

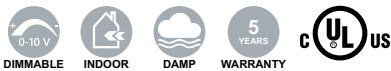
POWER FACTOR (PF)

0.9 - 120 V
 0.9 - 277 V

TOTAL HARMONIC DISTORTION (THD)

10% - 120 V
 10% - 277 V

CAN ICES-005 (B) This lighting equipment complies with Canadian standard ICES-005; for use in commercial and residential applications.



LWR4	/	120-277	/	42W	/	40K	/	FR	/	A2	/	STD
Family	Volts (V)	Watts (W)	Colour Temp. (K)	Lens Type	Driver	Brand						
Linear Wrap 4ft	120-277 V	34	4 000	Frosted	Espen (34 W only)	STANDARD						
		42			Simon (42 W only)							

Data is based upon tests performed in a controlled environment and representative of relative performance. Actual performance can vary depending on operating conditions. Specifications are subject to change without notice.

January 5, 2018

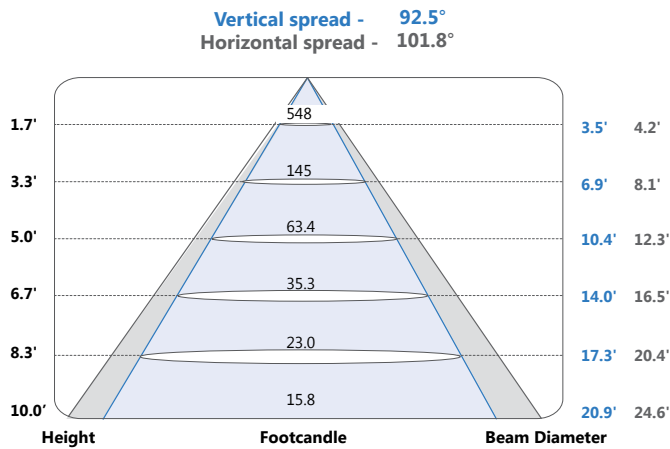
ORDERING INFORMATION

Order code: 66261
 Description: LWR4/120-277/42W/40K/FR/A2/STD
 UPC: 69549662612
 Case quantity: 1

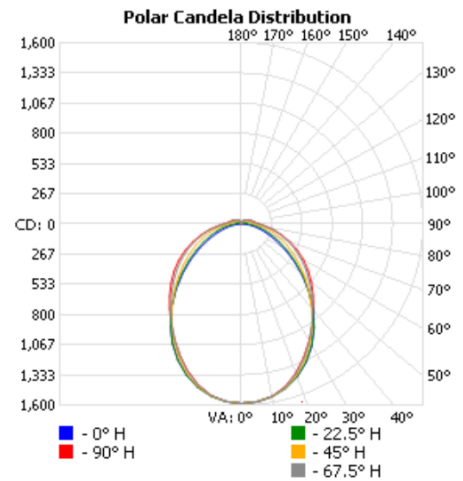
COMPATIBLE DIMMER LIST

Leviton	IPL710-DL
Lutron	NFTV NTFTV
STANDARD	61989 Transceiver

PHOTOMETRICS - BEAM SPREAD*



PHOTOMETRICS - CANDELA DISTRIBUTION*



COEFFICIENTS OF UTILIZATION (ZONAL CAVITY METHOD)*

RCC %:	80				70				50				30				10				0
RW %:	70	50	30	0	70	50	30	0	50	30	20	0	50	30	20	0	50	30	20	0	
RCR: 0	1.17	1.17	1.17	1.17	1.14	1.14	1.14	.93	1.07	1.07	1.07	1.07	1.01	1.01	1.01	1.01	.95	.95	.95	.93	
1	1.06	1.01	.97	.93	1.03	.98	.94	.77	.93	.89	.86	.86	.88	.85	.82	.82	.83	.81	.79	.76	
2	.97	.88	.81	.76	.93	.86	.80	.65	.81	.76	.71	.71	.77	.72	.69	.69	.73	.69	.66	.64	
3	.88	.78	.70	.63	.85	.76	.68	.55	.72	.65	.60	.60	.68	.63	.58	.58	.65	.60	.56	.54	
4	.81	.69	.60	.54	.78	.67	.59	.48	.64	.57	.52	.52	.61	.55	.50	.50	.58	.53	.49	.46	
5	.75	.62	.53	.47	.72	.60	.52	.42	.58	.50	.45	.45	.55	.49	.44	.44	.52	.47	.43	.40	
6	.69	.56	.47	.41	.67	.55	.46	.37	.52	.45	.39	.39	.50	.43	.39	.39	.48	.42	.38	.36	
7	.64	.51	.42	.36	.62	.50	.42	.33	.48	.40	.35	.35	.46	.39	.34	.34	.44	.38	.34	.32	
8	.60	.47	.38	.32	.58	.46	.38	.30	.44	.37	.32	.32	.42	.36	.31	.31	.40	.35	.30	.28	
9	.56	.43	.35	.29	.54	.42	.34	.27	.40	.33	.29	.29	.39	.32	.28	.28	.37	.32	.28	.26	
10	.53	.40	.32	.27	.51	.39	.31	.25	.37	.31	.26	.26	.36	.30	.26	.26	.35	.29	.25	.23	

* complete IES files available on our website.

Data is based upon tests performed in a controlled environment and representative of relative performance. Actual performance can vary depending on operating conditions. Specifications are subject to change without notice.

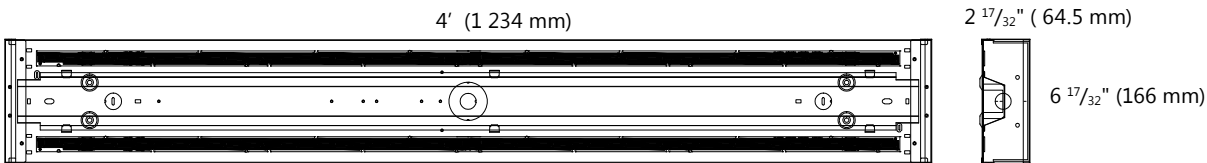
ORDERING INFORMATION

Order code: 66261
 Description: LWR4/120-277/42W/40K/FR/A2/STD
 UPC: 69549662612
 Case quantity: 1

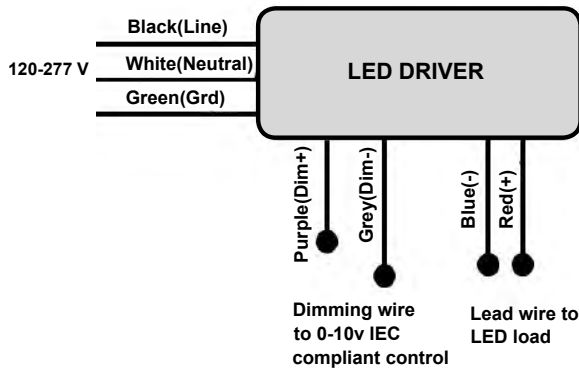
DIMENSIONS

Length: 4' (1 234 mm)
 Width: 6 17/32" (166 mm)
 Depth: 2 17/32" (64.5mm)

TECHNICAL DRAWING



WIRING DIAGRAM



Qty	Description	Price

I accept the specifications of the luminaire configuration mentioned above.

Name: _____
 Company: _____
 Signature: _____

Date: _____

Data is based upon tests performed in a controlled environment and representative of relative performance. Actual performance can vary depending on operating conditions. Specifications are subject to change without notice.