

# RL455 - 4" ROUND REGRESSED SLIM LED



## FEATURES



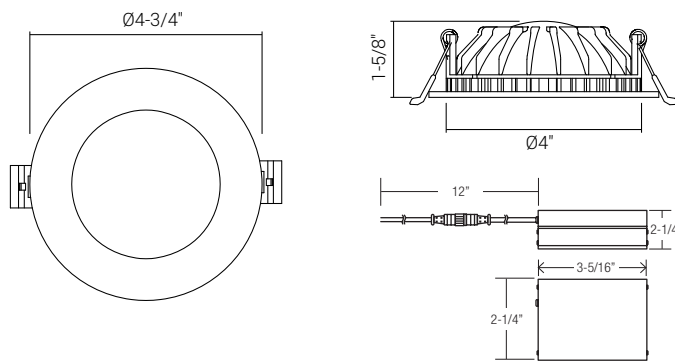
The Elite 4" round regressed Slim LED fixture with integral LEDs and factory installed external driver inside the junction box is ideal for retrofit applications. With 500 lumens, the lighting is evenly distributed, while consuming 75% less energy than the equivalent incandescent fixture. With one driver required for each fixture, it has a PF>0.95, and allows a maximum number of 12 fixtures per standard 150W LED dimmer.

- Dimmable
- TUV Approved and Energy Star Certified
- Type IC Rated – Approved for Direct Contact with Insulation
- Air-tight and damp location approved
- Recessed Housing is NOT required for Insulated Ceilings
- Fast and Easy to Install in Limited Space Locations
- External Driver Factory Mounted Inside Connection Box - 120V or 277V-347V
- New Construction Rough-In Plates and Jumper Cables Available
- Available in 4 Color Temperatures ( 2700K, 3000K, 3500K and 4000K)
- 50,000 Hours Life; 5 Year Warranty

## LISTING



## DIMENSIONS



## ORDERING GUIDE

EXAMPLE: RL455-550L-DIMTR-120-30K-90-WH

PART NUMBER	LUMEN	CCT	CRI	FINISH	ACCESORIES	OPTION
RL455	550L-DIMTR-120	27K 30K 35K 40K	90+	WH ( White) BK ( Black) SN ( Satin Nickel)	RL-ACC-SLIM-1-10F RL-ACC-SLIM-1-20F RL-ACC-SLIM-4-ROUGHPLATE	WET-LOCATION