

# Day-Brite CFI

by Signify

## Linear

FluxStream sealed strip

4' and 8',  
Up to 12,000 lumens



Project: \_\_\_\_\_  
 Location: \_\_\_\_\_  
 Cat.No: \_\_\_\_\_  
 Type: \_\_\_\_\_  
 Lamps: \_\_\_\_\_ Qty: \_\_\_\_\_  
 Notes: \_\_\_\_\_

Day-Brite / CFI FluxStream LED sealed strip is a high performing luminaire delivering smooth diffuse light ideal for light industrial, commercial and residential applications with the unparalleled energy efficiency of Philips LED lighting.

### Ordering guide

Example: FSX440L840-UNV

| Series                       | Length (nominal)     | Lumens <sup>1</sup> (nominal)                      | Color temp. (K)                                      | Voltage  | Driver   | Options   |
|------------------------------|----------------------|--|--|--|--|---|
| <input type="checkbox"/> FSX | <input type="text"/> | <input type="text"/>                               | <input type="text"/> -                               | <input type="text"/> -   | <input type="text"/> -   | <input type="text"/>  |
| FSX FluxStream sealed strip  | 4' 4' length         | <b>40L</b> 4000 lumens<br><b>60L</b> 6000 lumens   | <b>830</b> 80 CRI, 3000K<br><b>835</b> 80 CRI, 3500K | <b>UNV</b> Universal voltage 120-277V<br><b>120</b> 120V<br><b>277</b> 277V<br><b>347</b> 347V | <b>blank DIM<sup>2</sup></b> Non-dimming 0-10V 1% dimming<br><b>SDIM<sup>3</sup></b> Step dimming to 40% input power | <b>BSL6LST<sup>2,3</sup></b> Factory wired Philips Bodine integral emergency pack. Nominal 700lm<br><b>MD360W</b> 120-277V motion detector, factory installed on end cap (ON/OFF)<br><b>MD360WD</b> 120-277V motion detector, factory installed on end cap (ON/DIM)<br><b>IP65</b> IP65 rated protection from water and dust<br><b>WCW6/6</b> Factory wired 6' 18/6 white cord for use with 0-10V DIM option plus BSL6LST<br><b>WCW6/5</b> Factory wired 6' 18/5 white cord for use with 0-10V DIM option<br><b>WCW6/4</b> Factory wired 6' 16/4 white cord for use with BSL6LST or SDIM options<br><br><b>Factory wired 6' 16/3 white cord is standard</b> |
|                              | 8' 8' length         | <b>80L</b> 8000 lumens<br><b>120L</b> 12000 lumens | <b>840</b> 80 CRI, 4000K<br><b>850</b> 80 CRI, 5000K |  |  |   |

- Nominal delivered lumens at 25°C ambient.
- BSL6LST on 8' models illuminates 4' section in emergency mode.
- 3 wire cord is standard. Order proper cord option for dimming or emergency.

### Accessories (order separately, see last page for details)

- **FSXWG4** - 4' wire guard (order two for 8' models)
- **FSTH** - Sliding hanger bracket (set of two)
- **DACH48** - Adjustable cable hanger kit (order two per fixture)

### General notes

Many luminaire components, such as reflectors, refractors, lenses, sockets, lampholders, and LEDs are made from various types of plastics which can be adversely affected by airborne contaminants. If sulfur based chemicals, petroleum based products, cleaning solutions, or other contaminants are expected in the intended area of use, consult factory for compatibility.



# FSX FluxStream LED sealed strip

4' and 8', up to 12,000 lumens

## Features

- Compact design for installation in tight spaces.
- Each unit comes standard with a 6' 16/3 wired white cord.
- Sliding hanger bracket set included.
- 4' and 8' lengths available to accommodate many field applications.
- Up to 100,000 hour predicted L70 LED lumen maintenance provides long service life to reduce maintenance costs.
- Can be surface mounted on ceilings or walls, or suspended via chain, or cables with the sliding hanger brackets.
- Ideal for cold applications (-20°C).
- 0-10v dimming driver as standard. Step dimming (100/40%) is optional. Note that special cords are required to utilize dimming or step dimming.

- Optional wet location motion detector factory installed on end cap.
- Luminaire housing tested to IK08 impact standards.
- Fluxstream luminaires are Designlights Consortium® qualified. Please see the DLC QPL list for exact catalog numbers (<http://www.designlights.org/QPL>).
- 5 year manufacturer's limited warranty Visit [www.philips.com/warranties](http://www.philips.com/warranties) for complete warranty information.

## Construction/Finish

- Continuous white polycarbonate extruded housing.
- Frosted polycarbonate diffuser provides wide light distribution and superior glare control.
- White plastic end caps.

## Electrical

- Standard luminaire is non-dimming.
- Dimming to 1% on 0-10V controls optional available. Step dimming (SDIM) option available (100/40%).
- LED boards and drivers are RoHS (Restriction of Hazardous Substances) compliant. Total system life rated at 50,000 hours. Predicted L70 lifetime based on LED manufacturer's supplied LM-80 data and in-situ laboratory testing.

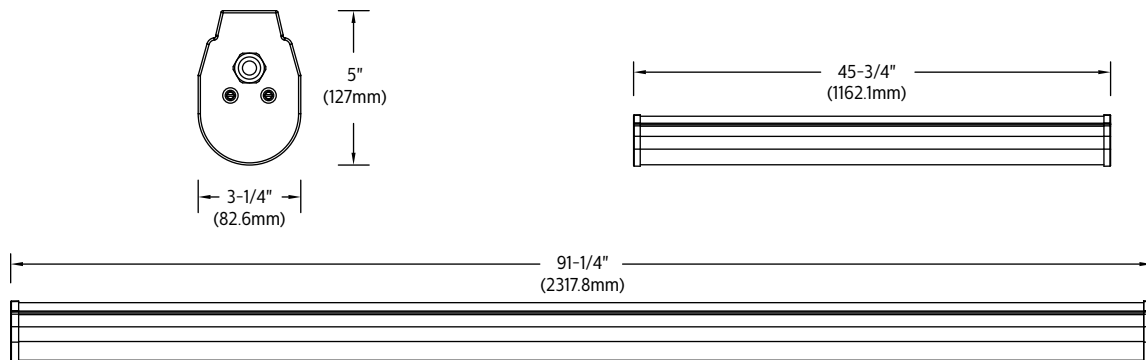
## Labels

- cETLus listed to meet UL1598 Standards suitable for use in wet locations.

## Ambient Temperature Data

| Configuration  | Ambient       |
|----------------|---------------|
| FSX440L        | -20°C to 40°C |
| FSX460L        | -20°C to 35°C |
| FSX880L        | -20°C to 40°C |
| FSX8120L       | -20°C to 35°C |
| BSL6LST option | Minimum 0°C   |

## Dimensions



## FluxStream LED sealed strip, 4', 6000 nominal delivered lumens

| Catalog No. | FSX460L840-UNV-DIM | Candlepower |      |      |       |         |
|-------------|--------------------|-------------|------|------|-------|---------|
| Test No.    | 38882              | Angle       | End  | 45   | Cross | Back-45 |
| S/MH        | 1.3                | 0           | 1518 | 1546 | 1555  | 1546    |
| Lamp Type   | LED                | 5           | 1512 | 1541 | 1551  | 1541    |
| Lumens/Lamp | 6025               | 15          | 1460 | 1497 | 1514  | 1497    |
| Input Watts | 52                 | 25          | 1356 | 1405 | 1436  | 1405    |
|             |                    | 35          | 1202 | 1277 | 1325  | 1277    |
|             |                    | 45          | 1010 | 1117 | 1192  | 1117    |
|             |                    | 55          | 784  | 936  | 1046  | 936     |
|             |                    | 65          | 500  | 753  | 892   | 753     |
|             |                    | 75          | 258  | 577  | 738   | 577     |
|             |                    | 85          | 53   | 392  | 589   | 392     |
|             |                    | 95          | 6    | 269  | 419   | 269     |
|             |                    | 105         | 6    | 174  | 302   | 174     |
|             |                    | 115         | 6    | 106  | 202   | 106     |
|             |                    | 125         | 6    | 63   | 126   | 63      |
|             |                    | 135         | 7    | 36   | 73    | 36      |
|             |                    | 145         | 7    | 18   | 38    | 18      |
|             |                    | 155         | 7    | 11   | 15    | 11      |
|             |                    | 165         | 7    | 8    | 8     | 8       |
|             |                    | 175         | 7    | 7    | 7     | 7       |

Comparative yearly lighting energy cost per 1000 lumens – **\$2.07** based on 3000 hrs. and \$.08 pwr KWH.

The photometric results were obtained in the Day-Brite laboratory which is NVLAP accredited by the National Institute of Standards and Technology.

Photometric values based on test performed in compliance with LM-79.

## LER – 116

| Light Distribution |        |             | Average Luminance |       |       |       |
|--------------------|--------|-------------|-------------------|-------|-------|-------|
| Degrees            | Lumens | % Luminaire | Angle             | End   | 45'   | Cross |
| 0-30               | 1210   | 20.1        | 45                | 20106 | 15613 | 14994 |
| 0-40               | 2001   | 33.2        | 55                | 18992 | 14191 | 13912 |
| 0-60               | 3674   | 61.0        | 65                | 16107 | 12897 | 13006 |
| 0-90               | 5347   | 88.7        | 75                | 12966 | 11774 | 12332 |
| 0-180              | 6025   | 100.0       | 85                | 6492  | 10282 | 11925 |

| Coefficients of Utilization                          |     |     |     |     |     |     |     |     |     |
|--|-----|-----|-----|-----|-----|-----|-----|-----|-----|
| EFFECTIVE FLOOR CAVITY REFLECTANCE 20 PER (pfc=0.20) |     |     |     |     |     |     |     |     |     |
| pcc  | 80  |     |     | 70  |     |     | 50  |     |     |
|  | pw  | rcr | rcr | pw  | rcr | rcr | pw  | rcr | rcr |
| 0  | 116 | 116 | 116 | 112 | 112 | 112 | 105 | 105 | 105 |
| 1  | 104 | 98  | 93  | 100 | 94  | 90  | 88  | 84  | 84  |
| 2  | 93  | 84  | 76  | 89  | 81  | 74  | 76  | 70  | 70  |
| 3  | 85  | 73  | 64  | 81  | 71  | 62  | 66  | 59  | 59  |
| 4  | 77  | 64  | 55  | 74  | 62  | 53  | 58  | 51  | 51  |
| 5  | 71  | 57  | 48  | 68  | 55  | 46  | 52  | 44  | 44  |
| 6  | 65  | 51  | 42  | 62  | 50  | 41  | 47  | 39  | 39  |
| 7  | 60  | 46  | 37  | 58  | 45  | 36  | 42  | 35  | 35  |
| 8  | 56  | 42  | 33  | 54  | 41  | 33  | 39  | 31  | 31  |
| 9  | 52  | 39  | 30  | 50  | 37  | 30  | 35  | 28  | 28  |
| 10   | 49  | 35  | 27  | 47  | 35  | 27  | 33  | 26  | 26  |

# FSX FluxStream LED sealed strip

4' and 8'. up to 12,000 lumens

## FluxStream LED sealed strip, 4', 4000 nominal delivered lumens

LER – 122

|                    |                    |                    |            |           |              |                |                           |               |                    |                          |            |            |              |
|--------------------|--------------------|--------------------|------------|-----------|--------------|----------------|---------------------------|---------------|--------------------|--------------------------|------------|------------|--------------|
| <b>Catalog No.</b> | FSX440L840-UNV-DIM | <b>Candlepower</b> |            |           |              |                | <b>Light Distribution</b> |               |                    | <b>Average Luminance</b> |            |            |              |
| <b>Test No.</b>    | 38883              | <b>Angle</b>       | <b>End</b> | <b>45</b> | <b>Cross</b> | <b>Back-45</b> | <b>Degrees</b>            | <b>Lumens</b> | <b>% Luminaire</b> | <b>Angle</b>             | <b>End</b> | <b>45'</b> | <b>Cross</b> |
| <b>S/MH</b>        | 1.3                | <b>0</b>           | 1039       | 1039      | 1039         | 1039           | <b>0-30</b>               | 814           | 20.6               | <b>45</b>                | 12692      | 10010      | 9728         |
| <b>Lamp Type</b>   | LED                | <b>5</b>           | 1017       | 1036      | 1044         | 1036           | <b>0-40</b>               | 1346          | 34.0               | <b>55</b>                | 11149      | 9111       | 9073         |
| <b>Lumens/Lamp</b> | 3955               | <b>15</b>          | 979        | 1004      | 1017         | 1004           | <b>0-60</b>               | 2458          | 62.1               | <b>65</b>                | 9964       | 7762       | 8544         |
| <b>Input Watts</b> | 32                 | <b>25</b>          | 907        | 939       | 963          | 939            | <b>0-90</b>               | 3530          | 89.3               | <b>75</b>                | 7669       | 7099       | 7672         |
|                    |                    | <b>35</b>          | 803        | 852       | 888          | 852            | <b>0-180</b>              | 3955          | 100.0              | <b>85</b>                | 2984       | 6682       | 7541         |
|                    |                    | <b>45</b>          | 671        | 742       | 798          | 742            |                           |               |                    |                          |            |            |              |
|                    |                    | <b>55</b>          | 484        | 621       | 701          | 621            |                           |               |                    |                          |            |            |              |
|                    |                    | <b>65</b>          | 326        | 466       | 599          | 466            |                           |               |                    |                          |            |            |              |
|                    |                    | <b>75</b>          | 161        | 355       | 467          | 355            |                           |               |                    |                          |            |            |              |
|                    |                    | <b>85</b>          | 26         | 258       | 375          | 258            |                           |               |                    |                          |            |            |              |
|                    |                    | <b>95</b>          | 0          | 177       | 288          | 177            |                           |               |                    |                          |            |            |              |
|                    |                    | <b>105</b>         | 0          | 114       | 210          | 114            |                           |               |                    |                          |            |            |              |
|                    |                    | <b>115</b>         | 0          | 70        | 144          | 70             |                           |               |                    |                          |            |            |              |
|                    |                    | <b>125</b>         | 0          | 38        | 91           | 38             |                           |               |                    |                          |            |            |              |
|                    |                    | <b>135</b>         | 0          | 18        | 52           | 18             |                           |               |                    |                          |            |            |              |
|                    |                    | <b>145</b>         | 0          | 6         | 26           | 6              |                           |               |                    |                          |            |            |              |
|                    |                    | <b>155</b>         | 0          | 2         | 8            | 2              |                           |               |                    |                          |            |            |              |
|                    |                    | <b>165</b>         | 0          | 1         | 2            | 1              |                           |               |                    |                          |            |            |              |
|                    |                    | <b>175</b>         | 0          | 0         | 0            | 0              |                           |               |                    |                          |            |            |              |

|  |  |  |  |  |  |  |  |  |  |
|--|--|--|--|--|--|--|--|--|--|
| <b>Comparative yearly lighting energy cost per 1000 lumens – \$1.97 based on 3000 hrs. and \$.08 pwr KWH.</b>                                      |  |  |  |  |  |  |  |  |  |
| The photometric results were obtained in the Day-Brite laboratory which is NVLAP accredited by the National Institute of Standards and Technology. |  |  |  |  |  |  |  |  |  |
| Photometric values based on test performed in compliance with LM-79.   |  |  |  |  |  |  |  |  |  |

|   |           |     |     |           |     |     |           |     |  |
|---|-----------|-----|-----|-----------|-----|-----|-----------|-----|--|
| <b>Coefficients of Utilization</b>                          |           |     |     |           |     |     |           |     |  |
| <b>EFFECTIVE FLOOR CAVITY REFLECTANCE 20 PER (pfc=0.20)</b> |           |     |     |           |     |     |           |     |  |
| <b>pcc</b>  | <b>80</b> |     |     | <b>70</b> |     |     | <b>50</b> |     |  |
| <b>pw</b>   | 70        | 50  | 30  | 70        | 50  | 30  | 50        | 30  |  |
| <b>RCR</b>  |           |     |     |           |     |     |           |     |  |
| 0   | 116       | 116 | 116 | 113       | 113 | 113 | 105       | 105 |  |
| 1   | 104       | 98  | 93  | 100       | 95  | 90  | 88        | 85  |  |
| 2   | 94        | 84  | 77  | 90        | 82  | 75  | 76        | 70  |  |
| 3   | 85        | 73  | 65  | 81        | 71  | 63  | 66        | 60  |  |
| 4   | 77        | 65  | 55  | 74        | 63  | 54  | 59        | 51  |  |
| 5   | 71        | 58  | 48  | 68        | 56  | 47  | 52        | 45  |  |
| 6   | 65        | 52  | 42  | 63        | 50  | 41  | 47        | 40  |  |
| 7   | 61        | 47  | 38  | 58        | 45  | 37  | 43        | 35  |  |
| 8   | 56        | 42  | 34  | 54        | 41  | 33  | 39        | 32  |  |
| 9   | 53        | 39  | 30  | 51        | 38  | 30  | 36        | 29  |  |
| 10  | 49        | 36  | 28  | 47        | 35  | 27  | 33        | 26  |  |

## Accessories/Options



| Catalog Code | Description  |
|--------------|--|
| FSTH         | Sliding hanger bracket (set of two) - one set included with fixture  |
| DACH48       | Adjustable cable hanger kit (order two per fixture)                  |
| BSL6LST      | Factory wired Philips Bodine integral emergency pack (nominal 700lm) |
| MD360W       | 120-277V motion detector, factory installed on end cap (ON/OFF)      |
| MD360WD      | 120-277V motion detector, factory installed on end cap (ON/DIM)      |
| WC6/5        | Factory wired 6' 16/5 white cord for use with 0-10V dimming          |
| WC6/4        | Factory wired 6' 16/4 white cord for use with BSL6LST or SDIM        |

