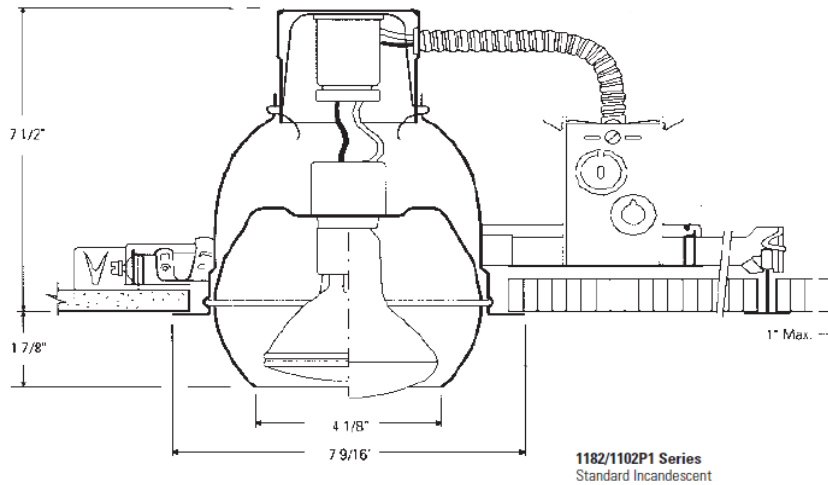


6-3/4" Aperture Basic Eyeball
Ceiling Opening: 6-3/4" (172mm)



Complete fixture consists of Reflector Trim & Frame-in Kit. Select each separately

Reflector Trim	Frame-in-Kit		Lamp	
1182	1102P1	Frame Non-IC	85W BR30	75W PAR30L
White	1103RS	Remodeler Ring Non-IC	85W BR30	75W PAR30L
	1100IC	Frame IC	85W BR30	75W PAR30L
	1104ICN	Lyteneing Frame Non-IC	85W BR30	75W PAR30L
	1104ICN	Lyteneing Frame IC	85W BR30	75W PAR30L
	1104ICRS	Lyteneing Remodeler Non-IC	85W BR30	75W PAR30L
	1104ICRS	Lyteneing Remodeler IC	85W BR30	75W PAR30L
	1104ICXN	Lyteneing ICX Frame AirSeal®	85W BR30	75W PAR30L

Features

Housing : Hydroformed aluminum, .032"thick. White trim flange.

Eyeball Housing : Die-formed, one piece, aluminum; provides 358° horizontal rotation and 0° to 40° vertical adjustment; white finish.

Frame-in Kit

See Frame-In Kit specification sheets for more details.

Finish

All painted finishes are baked powder or enamel.

Markings

cULus listed, suitable for damp locations.

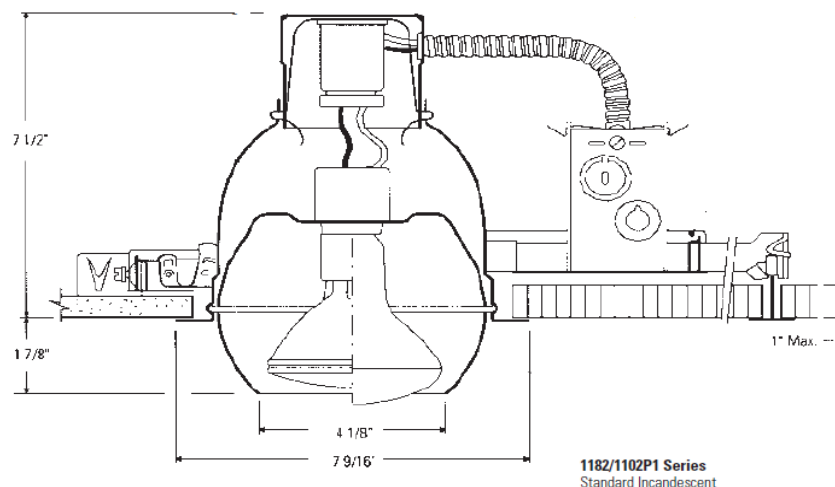
Accessories

1967A 2 in (51mm). Thick Ceiling Adaptor

Job Information	Type:
Job Name:	
Cat. No.:	
Lamp(s):	
Notes:	

6-3/4 po Ouverture boule orientable de base

Ouverture du plafond : 6-3/4 po (172mm)



Le luminaire complet comprend la garniture et le cadre de montage : choisir chacun séparément.

Garniture	Cadre de montage	Lampe	
1182 Blanc	1102P1	Cadre Non-IC	85W BR30 75W PAR30L
	1103RS	Anneau Rénovation Non-IC	85W BR30 75W PAR30L
	1100IC	Cadre IC	85W BR30 75W PAR30L
	1104ICN	Lytening Cadre Non-IC	85W BR30 75W PAR30L
	1104ICN	Lytening Cadre IC	85W BR30 75W PAR30L
	1104ICRS	Lytening Rénovation Non-IC	85W BR30 75W PAR30L
	1104ICRS	Lytening Rénovation IC	85W BR30 75W PAR30L
	1104ICXN	Lytening ICX Frame AirSeal®	85W BR30 75W PAR30L

Caractéristiques

Boîtier: Aluminium hydroformé, .032 po. d'épaisseur. Bordure blanche.

Boîtier boule orientable: Formé à la matrice, monopiece, en aluminium.

Permet une rotation de 358° à l'horizontale et de 0° à 40° à la verticale, fini blanc.

Accessoires

1967A Kit de plafond de 2 po (51mm) max.

Cadre de Montage

Pour les caractéristiques des cadres de montage, voir les fiches techniques appropriées.

Fini

Tous les finis peints sont en poudre ou en émail cuit.

Marquage

Homologué cULus ; convient aux endroits humides.

Canlyte

3015 Louis-Amos, Lachine, Québec H8T 1C4 • (514) 636-0670 • (514) 636-0460

www.canlyte.com

Information Projet	Type:
Nom Projet:	
No. Cat.:	
Lampe(s):	
Notes:	

PHILIPS
LIGHTOLIER®

Lighting Performance Data

	Narrow				Medium				Wide											
	50W PAR20 NSP (T-H)				50W PAR20 NFL (T-H)				30W R20 FL				50W R20 FL				75W R20 FL			
DISTANCE																				
FOOTCANDLES (On Beam Center At 6')	128				35				8				15				23			
BEAM SPREAD (To 50% Max. CP)	12"				32"				35"				38"				46"			
MAX. CANDLEPOWER (Candelas)	4,600				1,250				300				530				825			
RATED LIFE (Hours)	2,000				2,000				2,000				2,000				2,000			
0° AIMING ANGLE Illumination on Horizontal Plane 	D	FC	L	W	D	FC	L	W	D	FC	L	W	D	FC	L	W	D	FC	L	W
	6'	128	1.3'	1.3'	3'	139	1.7'	1.7'	2'	75	1.3'	1.3'	2'	133	1.4'	1.4'	2'	206	1.7'	1.7'
	8'	72	1.7'	1.7'	5'	50	2.9'	2.9'	3'	33	1.9'	1.9'	4'	33	2.8'	2.8'	4'	52	3.4'	3.4'
	10'	46	2.1'	2.1'	7'	26	4.0'	4.0'	4'	19	2.5'	2.5'	6'	15	4.1'	4.1'	6'	23	5.1'	5.1'
	12'	32	2.5'	2.5'	9'	15	5.2'	5.2'	5'	12	3.2'	3.2'	8'	8	5.5'	5.5'	8'	13	6.8'	6.8'
30° AIMING ANGLE Illumination on Horizontal Plane 	D	FC	L	W	D	FC	L	W	D	FC	L	W	D	FC	L	W	D	FC	L	W
	5'	120	1.4'	1.2'	3'	90	2.4'	2.0'	2'	49	1.7'	1.5'	2'	86	1.9'	1.6'	2'	134	2.4'	2.0'
	7'	61	2.0'	1.7'	5'	32	3.9'	3.3'	3'	22	2.6'	2.2'	4'	22	3.8'	3.2'	4'	33	4.8'	3.9'
	9'	37	2.5'	2.2'	7'	17	5.5'	4.6'	4'	12	3.5'	2.9'	6'	10	5.7'	4.8'	6'	15	7.2'	5.9'
30° AIMING ANGLE Illumination on Vertical Plane 	D	FC	L	W	D	FC	L	W	D	FC	L	W	D	FC	L	W	D	FC	L	W
	2'	144	1.7'	0.8'	1'	156	3.0'	1.1'	1'	38	3.6'	1.3'	1'	66	4.3'	1.4'	1'	103	7.4'	1.7'
	3'	64	2.5'	1.3'	2'	39	6.1'	2.3'	2'	9	7.2'	2.5'	2'	17	8.6'	2.8'	2'	26	14.8'	3.4'
	4'	36	3.5'	1.7'	3'	17	9.1'	3.4'	3'	4	10.8'	3.8'	3'	7	12.8'	4.1'	3'	11	22.2'	5.1'
	5'	23	4.3'	2.1'	4'	10	12.2'	4.6'	4'	2	14.4'	5.0'	4'	4	17.1'	5.5'	4'	6	29.6'	6.8'

Data are based on bare lamp photometrics.

FC is initial footcandles at center of beam. L and W are to the point that the candlepower drops 50% of maximum.

Beam Center Location

Distance D (ft.)	1	2	3	4	5	6	7	8	9	10
Distance C (ft.)	1.7	3.5	5.2	6.9	8.7	10.4	12.1	13.8	15.6	17.3

This chart locates the distance (C) to the center of the light beam for various distance (D) when the lamp is aimed 30° from vertical, the preferred aiming angle for lighting pictures on a wall.



Canlyte
 www.canlyte.com
 3015 Louis-Amos, Lachine, Québec H8T 1C4
 (514) 636-0670 • Fax (514) 636-0460

Spécifications are subject to charges without notice.
 © Koninklijke Philips Electronics N.V., 2010. All rights reserved.

