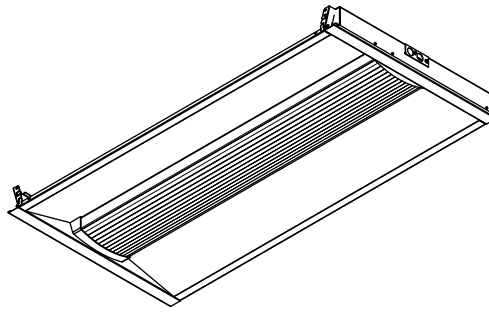


# PHILIPS Day-Brite CFI

Recessed

EvoGrid  
LED 2x4

3800, 4300, 4800,  
5400, or 7400 lumens



Project: \_\_\_\_\_  
 Location: \_\_\_\_\_  
 Cat.No: \_\_\_\_\_  
 Type: \_\_\_\_\_  
 Lamps: \_\_\_\_\_ Qty: \_\_\_\_\_  
 Notes: \_\_\_\_\_

The Philips Day-Brite / Philips CFI EvoGrid recessed LED utilizes highly reliable and efficient Philips LED platform boards and dimmable driver enabling market leading performance in its category. Its soft opal diffuser with large luminous area minimizes apparent brightness compared to other basket luminaires and provides general lighting perfect for a wide variety of applications.

## Ordering guide

Example: 2EVG38L840-4-D-UNV-DIM

| Width | Family     | Ceiling Type | Air Function | Lumens  | Color  | Length | Center Diffuser  | Voltage   | Driver  | Options  |
|-------|------------|--------------|--------------|---|--|--------|------------------|---|---|--|
| 2     | EV         | G            |              |   |  | 4      | D                |   |   |  |
| 2 2'  | EV EvoGrid | G Grid       | blank Static | <b>Standard efficacy</b><br>38L 3800 nominal delivered lumens<br>43L 4300 nominal delivered lumens<br>48L 4800 nominal delivered lumens<br>54L 5400 nominal delivered lumens<br>74L 7400 nominal delivered lumens<br><br><b>High efficacy</b><br>38LH 3800 nominal delivered lumens<br>43LH 4300 nominal delivered lumens<br>48LH 4800 nominal delivered lumens<br>54LH 5400 nominal delivered lumens<br>74LH 7400 nominal delivered lumens | 830 <sup>1</sup> 80 CRI, 3000K<br>835 80 CRI, 3500K<br>840 80 CRI, 4000K<br>850 <sup>1</sup> 80 CRI, 5000K | 4 4'   | D Diffuse (opal) | UNV Universal Voltage, 120-277 volt<br>120 120V<br>277 277V<br>347 347V | DIM 0-10V dimming Step dimming to 40% input power<br>SDIM <sup>2</sup> MarkX phase dimming<br>XDIM <sup>3</sup> Lutron Hi-lume A 1% dimming<br>L3D <sup>4</sup> Lutron EcoSystem 5% dimming<br>LDE<br>DALI DALI | F1 3/8" flex, 3 wire 18 gauge 6'<br>F2 3/8" flex, 4 wire 18 gauge 6'<br>F1/D 3/8" twin flex, 3 wire 18 gauge 6' for dimmable luminaires.<br>F2/SW 3/8" single flex, 5 wire 18 gauge 6' for dimmable luminaires.<br>GLR Fusing, fast blow<br>EMLED Integral emergency battery pack<br>OCC <sup>5</sup> Integral sensor, occupancy<br>DAY <sup>6</sup> Integral sensor, daylighting<br>DAYOCC Integral sensor, daylighting and occupancy<br>SWZG2 <sup>7,8</sup> SpaceWise automated wireless technology for integrated occupancy and daylight harvesting<br>CHIC Chicago Plenum rated<br>CRM Continuous row mount |

## Footnotes

- 3000K and 5000K color temperatures available only on high efficacy configurations
- Consult factory for SDIM on 74L and 74LH packages.
- XDIM requires 120V or 277V specification.
- Specify with 38L or 43L lumen packages only. Consult factory for higher lumen packages.
- OCC option allows individual auto shutoff per luminaire and is not recommended for applications with multiple luminaires.
- DAY option requires manual light level calibration.
- SWZG2 option provides occupancy sensing suitable for rooms with multiple luminaires, along with daylight harvesting with auto-calibration. See page 2 for more information.
- Must order SWZ-REMOTE SpaceWise handheld remote with each system order.

## Accessories (order separately)

- FMA24** – 2'x4' "F" mounting frame for NEMA "F" mounting
- EVD4L** – EvoGrid 4' replacement lens
- LRM1743** – External sensor to increase occupancy coverage area of SpaceWise luminaire groups
- SWZ-REMOTE** – SpaceWise handheld remote for grouping and configuration (at least one remote required for any SpaceWise installation)
- UID8451/10** – Wireless Dimmer Switch Selector
- UID8461/10** – Wireless Scene Selector

## Energy data

| Luminaire         | Catalog Number | Input Power | Efficacy |
|-------------------|----------------|-------------|----------|
| 2x4               | 2EVG38L840     | 36.5        | 109.96   |
|                   | 2EVG43L840     | 40.6        | 107.81   |
|                   | 2EVG48L840     | 47.7        | 105.15   |
|                   | 2EVG54L840     | 54.8        | 102.05   |
|                   | 2EVG74L840     | 82.6        | 92.80    |
| 2x4 High Efficacy | 2EVG38LH840    | 31.0        | 121.62   |
|                   | 2EVG43LH840    | 34.4        | 124.63   |
|                   | 2EVG48LH840    | 38.5        | 123.85   |
|                   | 2EVG54LH840    | 45.3        | 123.48   |
|                   | 2EVG74LH840    | 62.7        | 120.52   |



# 2EV EvoGrid recessed LED 2x4

3800, 4300, 4800, 5400, or 7400 lumens

## Application

- A highly efficient, visually comfortable, architecturally styled recessed LED luminaire designed with a minimalistic strategy to achieve sustainable objectives.
- Low profile configuration is only 2-3/4" deep, requiring minimal plenum space.
- Soft opal diffuser with large luminous area minimizes apparent brightness and provides high visual comfort perfect for a wide variety of general lighting applications like offices, schools, retail, or healthcare.
- Multiple lumen packages over a wide range to provide significant application flexibility over light levels and/or luminaire spacing.
- Directs a controlled amount of light to the higher angles in the room to balance the brightness of the surfaces and eliminate "cave effect" while creating the impression of a larger, brighter space without glare.
- Excellent color rendering with a CRI of 80.
- LEDs are an excellent source for use with controls since dimming or frequent switching does not degrade the performance or life of the source. Integral or external sensors are available for use.
- Designed for use with standard Grid (NEMA "G") or Narrow Grid (NEMA "NFG") ceiling T-bars. Drywall or plaster requirements can be accommodated by using an FMA24 "F" mounting frame (sold separately.)
- Continuous row mount option (CRM) includes wireway covers on each end and on one side of housing.
- cETLus listed to UL and CSA standards, suitable for damp locations.
- EvoGrid luminaires are DesignLights Consortium® qualified. Please see the DLC QPL list for exact catalog numbers (<http://www.designlights.org/QPL>)

## Enclosure

- Opal diffuser provides soft, comfortable lighting while maintaining high efficiency.
- Diffuser requires no frames or fasteners and can be easily removed from below without tools if needed.

## SpaceWise Technology (SWZG2)

- Optional SpaceWise automated wireless technology provides integrated occupancy sensing and daylight harvesting for additional control and energy savings.
- Requiring no system re-wiring, SpaceWise technology is appropriate for retrofit or new design and is an ideal replacement system for typical office layouts.
- Occupancy sensors are integral to each luminaire, with embedded automatic dimming behaviors appropriate to multiple office applications. Applications modes are selected using the handheld remote control, including open plan office, private office, conference room, and corridor.
- Daylight sensors are integral to each luminaire, eliminating the need for daylight zoning. Daylight sensing is automatic and re-calibration occurs daily when luminaires turn on.
- Open plan office mode offers occupant friendly granular dimming for maximum energy savings with no compromise to light levels or visual quality. Luminaires in large rooms and open plan areas are grouped together up to a maximum of 50 using a handheld remote, and max light output can be tuned. Granular dimming then provides full light output for occupied workstations, and non-occupied workstations stay at a background level to ensure visual quality. Grouped luminaires will dim to off when no presence is detected in the group.
- SpaceWise remote control must be purchased separately. Other peripherals include code compliant, wireless, batteryless switches and external sensors.
- Visit [philips.com/spacewise](http://philips.com/spacewise) for more information about SpaceWise technology.

## Construction/Finish

- Uncomplicated design is 2-3/4" in depth and only requires a few parts outside of the electrical system and hardware, creating several benefits:
  - Less material required
  - Less packaging required
  - Reduced weight
  - Less energy required for construction and assembly
  - More luminaires can be shipped per truck to reduce fuel use and emissions
- Luminaire finish is matte white polyester for a high quality, durable finish.
- T-bar grid clips are integral to body.

## Electrical

- Integral sensor options for occupancy sensing and/or daylight harvesting are available for additional energy savings with no reduction of life or increase in installation labor.
- Total luminaire efficacy exceeding 120 LPW (lumens per Watt) with high efficiency packages.
- LED board is easily accessible from below without tools. Single LED board is replaceable if needed via plug-in connectors to ensure long service life.
- LED driver is accessible from above.
- Step dim 100/40% and additional dimming options available.
- Five year limited luminaire warranty includes LED boards and driver (emergency driver and batteries have a three year warranty in models so equipped). Visit [www.philips.com/warranties](http://www.philips.com/warranties) for complete warranty information.
- TM-21 predicted L70 lumen maintenance up to 80,000 hours for high efficacy and 50,000 hours for standard efficacy configurations.

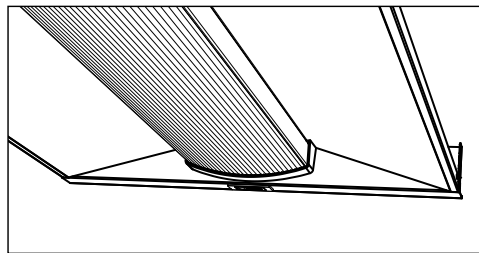
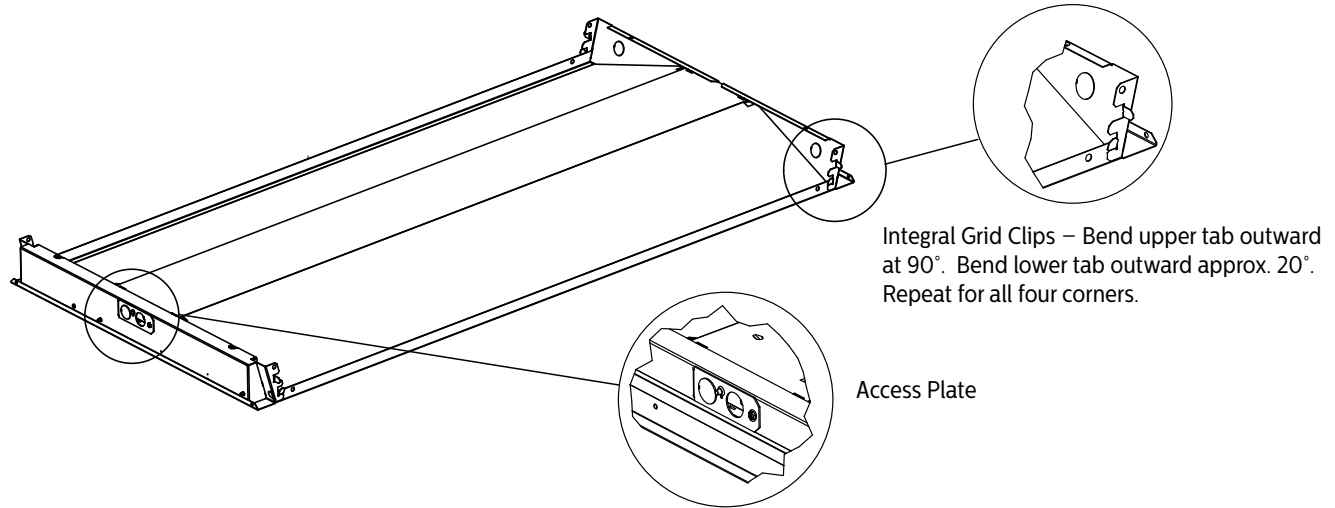
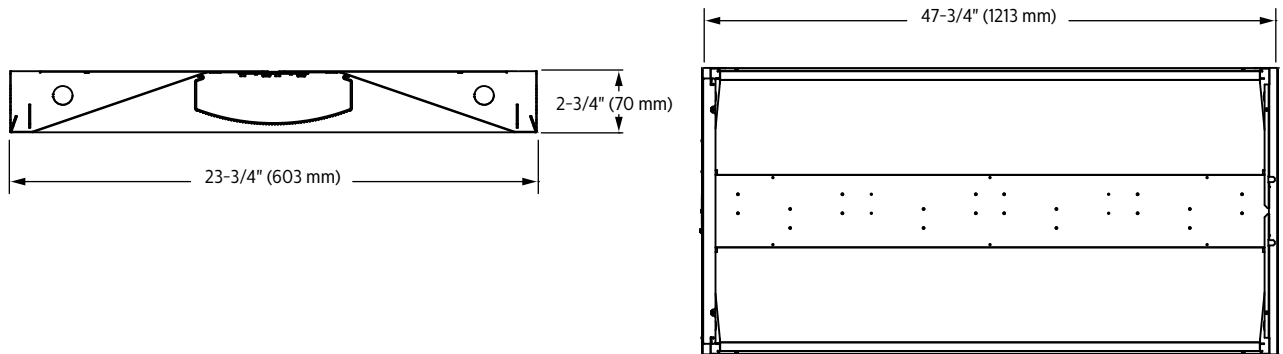
## General Notes

- All options factory installed.
- All accessories are field installed.
- Many luminaire components, such as reflectors, refractors, lenses, sockets, lampholders, and LEDs are made from various types of plastics which can be adversely affected by airborne contaminants. If sulfur based chemicals, petroleum based products, cleaning solutions, or other contaminants are expected in the intended area of use, consult factory for compatibility.

# 2EV EvoGrid recessed LED 2x4

3800, 4300, 4800, 5400, or 7400 lumens

## Dimensions



SpaceWise (SWZG2) automated wireless technology is available for integrated occupancy and daylight harvesting. Individual options for dimming, occupancy detection, and daylight harvesting are also available if SpaceWise option is not selected.

# 2EV EvoGrid recessed LED 2x4

3800, 4300, 4800, 5400, or 7400 lumens

## Photometry

### 2x4 EvoGrid recessed LED, high efficacy, 4800 nominal delivered lumens

### LER – 124

| <b>Catalog No.</b> 2EVG48LH840-4-D-UNV-DIM<br><b>Test No.</b> 34172<br><b>S/MH</b> 1.2<br><b>Lamp Type</b> LED<br><b>Lumens</b> 4818<br><b>Input Watts</b> 39<br><br>Comparative yearly lighting energy cost per 1000 lumens – <b>\$1.94</b> based on 3000 hrs. and \$.08 pwr KWH.<br><br>The photometric results were obtained in the Philips Day-Brite laboratory which is NVLAP accredited by the National Institute of Standards and Technology.<br><br>Photometric values based on test performed in compliance with LM-79. | <b>Candlepower</b>   |             |       |     | <b>Light Distribution</b> |     |      | <b>Average Luminance</b> |      |   |      |      |      |    |      |      |      |    |      |      |      |    |      |      |      |    |      |      |      |    |     |     |     |    |     |     |     |    |     |     |     |    |    |     |     |  |         |        |             |      |      |      |      |      |      |      |      |      |      |      |       |       |      |       |  |       |     |     |       |    |      |      |      |    |      |      |      |    |      |      |      |    |      |      |      |    |      |      |
|--|--|-------------|-------|-----|---------------------------|-----|------|--------------------------|------|---|------|------|------|----|------|------|------|----|------|------|------|----|------|------|------|----|------|------|------|----|-----|-----|-----|----|-----|-----|-----|----|-----|-----|-----|----|----|-----|-----|--|---------|--------|-------------|------|------|------|------|------|------|------|------|------|------|------|-------|-------|------|-------|--|-------|-----|-----|-------|----|------|------|------|----|------|------|------|----|------|------|------|----|------|------|------|----|------|------|
|  | <table border="1"> <thead> <tr> <th>Angle</th> <th>End</th> <th>45</th> <th>Cross</th> </tr> </thead> <tbody> <tr><td>0</td><td>1758</td><td>1758</td><td>1758</td></tr> <tr><td>5</td><td>1743</td><td>1743</td><td>1754</td></tr> <tr><td>15</td><td>1659</td><td>1672</td><td>1680</td></tr> <tr><td>25</td><td>1495</td><td>1513</td><td>1523</td></tr> <tr><td>35</td><td>1267</td><td>1297</td><td>1313</td></tr> <tr><td>45</td><td>1008</td><td>1054</td><td>1089</td></tr> <tr><td>55</td><td>743</td><td>817</td><td>892</td></tr> <tr><td>65</td><td>490</td><td>616</td><td>702</td></tr> <tr><td>75</td><td>268</td><td>400</td><td>460</td></tr> <tr><td>85</td><td>78</td><td>121</td><td>124</td></tr> </tbody> </table> | Angle       | End   | 45  | Cross                     | 0   | 1758 | 1758                     | 1758 | 5 | 1743 | 1743 | 1754 | 15 | 1659 | 1672 | 1680 | 25 | 1495 | 1513 | 1523 | 35 | 1267 | 1297 | 1313 | 45 | 1008 | 1054 | 1089 | 55 | 743 | 817 | 892 | 65 | 490 | 616 | 702 | 75 | 268 | 400 | 460 | 85 | 78 | 121 | 124 | <table border="1"> <thead> <tr> <th>Degrees</th> <th>Lumens</th> <th>% Luminaire</th> </tr> </thead> <tbody> <tr><td>0-30</td><td>1334</td><td>27.7</td></tr> <tr><td>0-40</td><td>2144</td><td>44.5</td></tr> <tr><td>0-60</td><td>3688</td><td>76.5</td></tr> <tr><td>0-90</td><td>4820</td><td>100.0</td></tr> <tr><td>0-180</td><td>4820</td><td>100.0</td></tr> </tbody> </table> | Degrees | Lumens | % Luminaire | 0-30 | 1334 | 27.7 | 0-40 | 2144 | 44.5 | 0-60 | 3688 | 76.5 | 0-90 | 4820 | 100.0 | 0-180 | 4820 | 100.0 | <table border="1"> <thead> <tr> <th>Angle</th> <th>End</th> <th>45°</th> <th>Cross</th> </tr> </thead> <tbody> <tr><td>45</td><td>7429</td><td>7769</td><td>8028</td></tr> <tr><td>55</td><td>6749</td><td>7427</td><td>8105</td></tr> <tr><td>65</td><td>6049</td><td>7594</td><td>8653</td></tr> <tr><td>75</td><td>5390</td><td>8051</td><td>9269</td></tr> <tr><td>85</td><td>4647</td><td>7219</td><td>7429</td></tr> </tbody> </table> | Angle | End | 45° | Cross | 45 | 7429 | 7769 | 8028 | 55 | 6749 | 7427 | 8105 | 65 | 6049 | 7594 | 8653 | 75 | 5390 | 8051 | 9269 | 85 | 4647 | 7219 |
| Angle  | End  | 45          | Cross |     |                           |     |      |                          |      |   |      |      |      |    |      |      |      |    |      |      |      |    |      |      |      |    |      |      |      |    |     |     |     |    |     |     |     |    |     |     |     |    |    |     |     |  |         |        |             |      |      |      |      |      |      |      |      |      |      |      |       |       |      |       |  |       |     |     |       |    |      |      |      |    |      |      |      |    |      |      |      |    |      |      |      |    |      |      |
| 0  | 1758   | 1758        | 1758  |     |                           |     |      |                          |      |   |      |      |      |    |      |      |      |    |      |      |      |    |      |      |      |    |      |      |      |    |     |     |     |    |     |     |     |    |     |     |     |    |    |     |     |  |         |        |             |      |      |      |      |      |      |      |      |      |      |      |       |       |      |       |  |       |     |     |       |    |      |      |      |    |      |      |      |    |      |      |      |    |      |      |      |    |      |      |
| 5  | 1743   | 1743        | 1754  |     |                           |     |      |                          |      |   |      |      |      |    |      |      |      |    |      |      |      |    |      |      |      |    |      |      |      |    |     |     |     |    |     |     |     |    |     |     |     |    |    |     |     |  |         |        |             |      |      |      |      |      |      |      |      |      |      |      |       |       |      |       |  |       |     |     |       |    |      |      |      |    |      |      |      |    |      |      |      |    |      |      |      |    |      |      |
| 15   | 1659   | 1672        | 1680  |     |                           |     |      |                          |      |   |      |      |      |    |      |      |      |    |      |      |      |    |      |      |      |    |      |      |      |    |     |     |     |    |     |     |     |    |     |     |     |    |    |     |     |  |         |        |             |      |      |      |      |      |      |      |      |      |      |      |       |       |      |       |  |       |     |     |       |    |      |      |      |    |      |      |      |    |      |      |      |    |      |      |      |    |      |      |
| 25   | 1495   | 1513        | 1523  |     |                           |     |      |                          |      |   |      |      |      |    |      |      |      |    |      |      |      |    |      |      |      |    |      |      |      |    |     |     |     |    |     |     |     |    |     |     |     |    |    |     |     |  |         |        |             |      |      |      |      |      |      |      |      |      |      |      |       |       |      |       |  |       |     |     |       |    |      |      |      |    |      |      |      |    |      |      |      |    |      |      |      |    |      |      |
| 35   | 1267   | 1297        | 1313  |     |                           |     |      |                          |      |   |      |      |      |    |      |      |      |    |      |      |      |    |      |      |      |    |      |      |      |    |     |     |     |    |     |     |     |    |     |     |     |    |    |     |     |  |         |        |             |      |      |      |      |      |      |      |      |      |      |      |       |       |      |       |  |       |     |     |       |    |      |      |      |    |      |      |      |    |      |      |      |    |      |      |      |    |      |      |
| 45   | 1008   | 1054        | 1089  |     |                           |     |      |                          |      |   |      |      |      |    |      |      |      |    |      |      |      |    |      |      |      |    |      |      |      |    |     |     |     |    |     |     |     |    |     |     |     |    |    |     |     |  |         |        |             |      |      |      |      |      |      |      |      |      |      |      |       |       |      |       |  |       |     |     |       |    |      |      |      |    |      |      |      |    |      |      |      |    |      |      |      |    |      |      |
| 55   | 743  | 817         | 892   |     |                           |     |      |                          |      |   |      |      |      |    |      |      |      |    |      |      |      |    |      |      |      |    |      |      |      |    |     |     |     |    |     |     |     |    |     |     |     |    |    |     |     |  |         |        |             |      |      |      |      |      |      |      |      |      |      |      |       |       |      |       |  |       |     |     |       |    |      |      |      |    |      |      |      |    |      |      |      |    |      |      |      |    |      |      |
| 65   | 490  | 616         | 702   |     |                           |     |      |                          |      |   |      |      |      |    |      |      |      |    |      |      |      |    |      |      |      |    |      |      |      |    |     |     |     |    |     |     |     |    |     |     |     |    |    |     |     |  |         |        |             |      |      |      |      |      |      |      |      |      |      |      |       |       |      |       |  |       |     |     |       |    |      |      |      |    |      |      |      |    |      |      |      |    |      |      |      |    |      |      |
| 75   | 268  | 400         | 460   |     |                           |     |      |                          |      |   |      |      |      |    |      |      |      |    |      |      |      |    |      |      |      |    |      |      |      |    |     |     |     |    |     |     |     |    |     |     |     |    |    |     |     |  |         |        |             |      |      |      |      |      |      |      |      |      |      |      |       |       |      |       |  |       |     |     |       |    |      |      |      |    |      |      |      |    |      |      |      |    |      |      |      |    |      |      |
| 85   | 78   | 121         | 124   |     |                           |     |      |                          |      |   |      |      |      |    |      |      |      |    |      |      |      |    |      |      |      |    |      |      |      |    |     |     |     |    |     |     |     |    |     |     |     |    |    |     |     |  |         |        |             |      |      |      |      |      |      |      |      |      |      |      |       |       |      |       |  |       |     |     |       |    |      |      |      |    |      |      |      |    |      |      |      |    |      |      |      |    |      |      |
| Degrees  | Lumens   | % Luminaire |       |     |                           |     |      |                          |      |   |      |      |      |    |      |      |      |    |      |      |      |    |      |      |      |    |      |      |      |    |     |     |     |    |     |     |     |    |     |     |     |    |    |     |     |  |         |        |             |      |      |      |      |      |      |      |      |      |      |      |       |       |      |       |  |       |     |     |       |    |      |      |      |    |      |      |      |    |      |      |      |    |      |      |      |    |      |      |
| 0-30   | 1334   | 27.7        |       |     |                           |     |      |                          |      |   |      |      |      |    |      |      |      |    |      |      |      |    |      |      |      |    |      |      |      |    |     |     |     |    |     |     |     |    |     |     |     |    |    |     |     |  |         |        |             |      |      |      |      |      |      |      |      |      |      |      |       |       |      |       |  |       |     |     |       |    |      |      |      |    |      |      |      |    |      |      |      |    |      |      |      |    |      |      |
| 0-40   | 2144   | 44.5        |       |     |                           |     |      |                          |      |   |      |      |      |    |      |      |      |    |      |      |      |    |      |      |      |    |      |      |      |    |     |     |     |    |     |     |     |    |     |     |     |    |    |     |     |  |         |        |             |      |      |      |      |      |      |      |      |      |      |      |       |       |      |       |  |       |     |     |       |    |      |      |      |    |      |      |      |    |      |      |      |    |      |      |      |    |      |      |
| 0-60   | 3688   | 76.5        |       |     |                           |     |      |                          |      |   |      |      |      |    |      |      |      |    |      |      |      |    |      |      |      |    |      |      |      |    |     |     |     |    |     |     |     |    |     |     |     |    |    |     |     |  |         |        |             |      |      |      |      |      |      |      |      |      |      |      |       |       |      |       |  |       |     |     |       |    |      |      |      |    |      |      |      |    |      |      |      |    |      |      |      |    |      |      |
| 0-90   | 4820   | 100.0       |       |     |                           |     |      |                          |      |   |      |      |      |    |      |      |      |    |      |      |      |    |      |      |      |    |      |      |      |    |     |     |     |    |     |     |     |    |     |     |     |    |    |     |     |  |         |        |             |      |      |      |      |      |      |      |      |      |      |      |       |       |      |       |  |       |     |     |       |    |      |      |      |    |      |      |      |    |      |      |      |    |      |      |      |    |      |      |
| 0-180  | 4820   | 100.0       |       |     |                           |     |      |                          |      |   |      |      |      |    |      |      |      |    |      |      |      |    |      |      |      |    |      |      |      |    |     |     |     |    |     |     |     |    |     |     |     |    |    |     |     |  |         |        |             |      |      |      |      |      |      |      |      |      |      |      |       |       |      |       |  |       |     |     |       |    |      |      |      |    |      |      |      |    |      |      |      |    |      |      |      |    |      |      |
| Angle  | End  | 45°         | Cross |     |                           |     |      |                          |      |   |      |      |      |    |      |      |      |    |      |      |      |    |      |      |      |    |      |      |      |    |     |     |     |    |     |     |     |    |     |     |     |    |    |     |     |  |         |        |             |      |      |      |      |      |      |      |      |      |      |      |       |       |      |       |  |       |     |     |       |    |      |      |      |    |      |      |      |    |      |      |      |    |      |      |      |    |      |      |
| 45   | 7429   | 7769        | 8028  |     |                           |     |      |                          |      |   |      |      |      |    |      |      |      |    |      |      |      |    |      |      |      |    |      |      |      |    |     |     |     |    |     |     |     |    |     |     |     |    |    |     |     |  |         |        |             |      |      |      |      |      |      |      |      |      |      |      |       |       |      |       |  |       |     |     |       |    |      |      |      |    |      |      |      |    |      |      |      |    |      |      |      |    |      |      |
| 55   | 6749   | 7427        | 8105  |     |                           |     |      |                          |      |   |      |      |      |    |      |      |      |    |      |      |      |    |      |      |      |    |      |      |      |    |     |     |     |    |     |     |     |    |     |     |     |    |    |     |     |  |         |        |             |      |      |      |      |      |      |      |      |      |      |      |       |       |      |       |  |       |     |     |       |    |      |      |      |    |      |      |      |    |      |      |      |    |      |      |      |    |      |      |
| 65   | 6049   | 7594        | 8653  |     |                           |     |      |                          |      |   |      |      |      |    |      |      |      |    |      |      |      |    |      |      |      |    |      |      |      |    |     |     |     |    |     |     |     |    |     |     |     |    |    |     |     |  |         |        |             |      |      |      |      |      |      |      |      |      |      |      |       |       |      |       |  |       |     |     |       |    |      |      |      |    |      |      |      |    |      |      |      |    |      |      |      |    |      |      |
| 75   | 5390   | 8051        | 9269  |     |                           |     |      |                          |      |   |      |      |      |    |      |      |      |    |      |      |      |    |      |      |      |    |      |      |      |    |     |     |     |    |     |     |     |    |     |     |     |    |    |     |     |  |         |        |             |      |      |      |      |      |      |      |      |      |      |      |       |       |      |       |  |       |     |     |       |    |      |      |      |    |      |      |      |    |      |      |      |    |      |      |      |    |      |      |
| 85   | 4647   | 7219        | 7429  |     |                           |     |      |                          |      |   |      |      |      |    |      |      |      |    |      |      |      |    |      |      |      |    |      |      |      |    |     |     |     |    |     |     |     |    |     |     |     |    |    |     |     |  |         |        |             |      |      |      |      |      |      |      |      |      |      |      |       |       |      |       |  |       |     |     |       |    |      |      |      |    |      |      |      |    |      |      |      |    |      |      |      |    |      |      |
| <b>Coefficients of Utilization</b>   |  |             |       |     |                           |     |      |                          |      |   |      |      |      |    |      |      |      |    |      |      |      |    |      |      |      |    |      |      |      |    |     |     |     |    |     |     |     |    |     |     |     |    |    |     |     |  |         |        |             |      |      |      |      |      |      |      |      |      |      |      |       |       |      |       |  |       |     |     |       |    |      |      |      |    |      |      |      |    |      |      |      |    |      |      |      |    |      |      |
| <b>EFFECTIVE FLOOR CAVITY REFLECTANCE 20 PER (pfc=0.20)</b>  |  |             |       |     |                           |     |      |                          |      |   |      |      |      |    |      |      |      |    |      |      |      |    |      |      |      |    |      |      |      |    |     |     |     |    |     |     |     |    |     |     |     |    |    |     |     |  |         |        |             |      |      |      |      |      |      |      |      |      |      |      |       |       |      |       |  |       |     |     |       |    |      |      |      |    |      |      |      |    |      |      |      |    |      |      |      |    |      |      |
| pcc  | 80   |             |       | 70  |                           |     | 50   |                          |      |   |      |      |      |    |      |      |      |    |      |      |      |    |      |      |      |    |      |      |      |    |     |     |     |    |     |     |     |    |     |     |     |    |    |     |     |  |         |        |             |      |      |      |      |      |      |      |      |      |      |      |       |       |      |       |  |       |     |     |       |    |      |      |      |    |      |      |      |    |      |      |      |    |      |      |      |    |      |      |
| pw   | 70   | 50          | 30    | 70  | 50                        | 30  | 50   | 30                       |      |   |      |      |      |    |      |      |      |    |      |      |      |    |      |      |      |    |      |      |      |    |     |     |     |    |     |     |     |    |     |     |     |    |    |     |     |  |         |        |             |      |      |      |      |      |      |      |      |      |      |      |       |       |      |       |  |       |     |     |       |    |      |      |      |    |      |      |      |    |      |      |      |    |      |      |      |    |      |      |
| RCR  |  |             |       |     |                           |     |      |                          |      |   |      |      |      |    |      |      |      |    |      |      |      |    |      |      |      |    |      |      |      |    |     |     |     |    |     |     |     |    |     |     |     |    |    |     |     |  |         |        |             |      |      |      |      |      |      |      |      |      |      |      |       |       |      |       |  |       |     |     |       |    |      |      |      |    |      |      |      |    |      |      |      |    |      |      |      |    |      |      |
| 0  | 118  | 118         | 118   | 115 | 115                       | 115 | 111  | 111                      |      |   |      |      |      |    |      |      |      |    |      |      |      |    |      |      |      |    |      |      |      |    |     |     |     |    |     |     |     |    |     |     |     |    |    |     |     |  |         |        |             |      |      |      |      |      |      |      |      |      |      |      |       |       |      |       |  |       |     |     |       |    |      |      |      |    |      |      |      |    |      |      |      |    |      |      |      |    |      |      |
| 1  | 108  | 103         | 98    | 105 | 101                       | 96  | 96   | 93                       |      |   |      |      |      |    |      |      |      |    |      |      |      |    |      |      |      |    |      |      |      |    |     |     |     |    |     |     |     |    |     |     |     |    |    |     |     |  |         |        |             |      |      |      |      |      |      |      |      |      |      |      |       |       |      |       |  |       |     |     |       |    |      |      |      |    |      |      |      |    |      |      |      |    |      |      |      |    |      |      |
| 2  | 97   | 90          | 82    | 94  | 88                        | 81  | 83   | 79                       |      |   |      |      |      |    |      |      |      |    |      |      |      |    |      |      |      |    |      |      |      |    |     |     |     |    |     |     |     |    |     |     |     |    |    |     |     |  |         |        |             |      |      |      |      |      |      |      |      |      |      |      |       |       |      |       |  |       |     |     |       |    |      |      |      |    |      |      |      |    |      |      |      |    |      |      |      |    |      |      |
| 3  | 89   | 79          | 69    | 86  | 77                        | 68  | 73   | 67                       |      |   |      |      |      |    |      |      |      |    |      |      |      |    |      |      |      |    |      |      |      |    |     |     |     |    |     |     |     |    |     |     |     |    |    |     |     |  |         |        |             |      |      |      |      |      |      |      |      |      |      |      |       |       |      |       |  |       |     |     |       |    |      |      |      |    |      |      |      |    |      |      |      |    |      |      |      |    |      |      |
| 4  | 81   | 69          | 60    | 80  | 68                        | 59  | 66   | 57                       |      |   |      |      |      |    |      |      |      |    |      |      |      |    |      |      |      |    |      |      |      |    |     |     |     |    |     |     |     |    |     |     |     |    |    |     |     |  |         |        |             |      |      |      |      |      |      |      |      |      |      |      |       |       |      |       |  |       |     |     |       |    |      |      |      |    |      |      |      |    |      |      |      |    |      |      |      |    |      |      |
| 5  | 75   | 61          | 53    | 72  | 60                        | 53  | 58   | 51                       |      |   |      |      |      |    |      |      |      |    |      |      |      |    |      |      |      |    |      |      |      |    |     |     |     |    |     |     |     |    |     |     |     |    |    |     |     |  |         |        |             |      |      |      |      |      |      |      |      |      |      |      |       |       |      |       |  |       |     |     |       |    |      |      |      |    |      |      |      |    |      |      |      |    |      |      |      |    |      |      |
| 6  | 69   | 56          | 46    | 68  | 55                        | 46  | 53   | 46                       |      |   |      |      |      |    |      |      |      |    |      |      |      |    |      |      |      |    |      |      |      |    |     |     |     |    |     |     |     |    |     |     |     |    |    |     |     |  |         |        |             |      |      |      |      |      |      |      |      |      |      |      |       |       |      |       |  |       |     |     |       |    |      |      |      |    |      |      |      |    |      |      |      |    |      |      |      |    |      |      |
| 7  | 65   | 51          | 41    | 63  | 50                        | 41  | 48   | 40                       |      |   |      |      |      |    |      |      |      |    |      |      |      |    |      |      |      |    |      |      |      |    |     |     |     |    |     |     |     |    |     |     |     |    |    |     |     |  |         |        |             |      |      |      |      |      |      |      |      |      |      |      |       |       |      |       |  |       |     |     |       |    |      |      |      |    |      |      |      |    |      |      |      |    |      |      |      |    |      |      |
| 8  | 59   | 46          | 38    | 58  | 46                        | 38  | 44   | 36                       |      |   |      |      |      |    |      |      |      |    |      |      |      |    |      |      |      |    |      |      |      |    |     |     |     |    |     |     |     |    |     |     |     |    |    |     |     |  |         |        |             |      |      |      |      |      |      |      |      |      |      |      |       |       |      |       |  |       |     |     |       |    |      |      |      |    |      |      |      |    |      |      |      |    |      |      |      |    |      |      |
| 9  | 56   | 42          | 34    | 55  | 41                        | 34  | 40   | 34                       |      |   |      |      |      |    |      |      |      |    |      |      |      |    |      |      |      |    |      |      |      |    |     |     |     |    |     |     |     |    |     |     |     |    |    |     |     |  |         |        |             |      |      |      |      |      |      |      |      |      |      |      |       |       |      |       |  |       |     |     |       |    |      |      |      |    |      |      |      |    |      |      |      |    |      |      |      |    |      |      |
| 10   | 53   | 39          | 32    | 51  | 39                        | 30  | 38   | 30                       |      |   |      |      |      |    |      |      |      |    |      |      |      |    |      |      |      |    |      |      |      |    |     |     |     |    |     |     |     |    |     |     |     |    |    |     |     |  |         |        |             |      |      |      |      |      |      |      |      |      |      |      |       |       |      |       |  |       |     |     |       |    |      |      |      |    |      |      |      |    |      |      |      |    |      |      |      |    |      |      |

### 2x4 EvoGrid recessed LED, 4800 nominal delivered lumens

### LER – 105

| <b>Catalog No.</b> 2EVG48L840-4-D-UNV-DIM<br><b>Test No.</b> 34090<br><b>S/MH</b> 1.2<br><b>Lamp Type</b> LED<br><b>Lumens</b> 5015<br><b>Input Watts</b> 48<br><br>Comparative yearly lighting energy cost per 1000 lumens – <b>\$1.29</b> based on 3000 hrs. and \$.08 pwr KWH.<br><br>The photometric results were obtained in the Philips Day-Brite laboratory which is NVLAP accredited by the National Institute of Standards and Technology.<br><br>Photometric values based on test performed in compliance with LM-79. | <b>Candlepower</b>   |             |       |     | <b>Light Distribution</b> |     |      | <b>Average Luminance</b> |      |   |      |      |      |    |      |      |      |    |      |      |      |    |      |      |      |    |      |      |      |    |     |     |     |    |     |     |     |    |     |     |     |    |    |     |     |  |         |        |             |      |      |      |      |      |      |      |      |      |      |      |       |       |      |       |  |       |     |     |       |    |      |      |      |    |      |      |      |    |      |      |      |    |      |      |      |    |      |      |
|---|--|-------------|-------|-----|---------------------------|-----|------|--------------------------|------|---|------|------|------|----|------|------|------|----|------|------|------|----|------|------|------|----|------|------|------|----|-----|-----|-----|----|-----|-----|-----|----|-----|-----|-----|----|----|-----|-----|--|---------|--------|-------------|------|------|------|------|------|------|------|------|------|------|------|-------|-------|------|-------|--|-------|-----|-----|-------|----|------|------|------|----|------|------|------|----|------|------|------|----|------|------|------|----|------|------|
|   | <table border="1"> <thead> <tr> <th>Angle</th> <th>End</th> <th>45</th> <th>Cross</th> </tr> </thead> <tbody> <tr><td>0</td><td>1830</td><td>1830</td><td>1830</td></tr> <tr><td>5</td><td>1813</td><td>1820</td><td>1825</td></tr> <tr><td>15</td><td>1725</td><td>1739</td><td>1746</td></tr> <tr><td>25</td><td>1554</td><td>1571</td><td>1582</td></tr> <tr><td>35</td><td>1317</td><td>1347</td><td>1365</td></tr> <tr><td>45</td><td>1048</td><td>1096</td><td>1132</td></tr> <tr><td>55</td><td>771</td><td>851</td><td>930</td></tr> <tr><td>65</td><td>510</td><td>642</td><td>733</td></tr> <tr><td>75</td><td>279</td><td>417</td><td>485</td></tr> <tr><td>85</td><td>81</td><td>123</td><td>132</td></tr> </tbody> </table> | Angle       | End   | 45  | Cross                     | 0   | 1830 | 1830                     | 1830 | 5 | 1813 | 1820 | 1825 | 15 | 1725 | 1739 | 1746 | 25 | 1554 | 1571 | 1582 | 35 | 1317 | 1347 | 1365 | 45 | 1048 | 1096 | 1132 | 55 | 771 | 851 | 930 | 65 | 510 | 642 | 733 | 75 | 279 | 417 | 485 | 85 | 81 | 123 | 132 | <table border="1"> <thead> <tr> <th>Degrees</th> <th>Lumens</th> <th>% Luminaire</th> </tr> </thead> <tbody> <tr><td>0-30</td><td>1387</td><td>27.6</td></tr> <tr><td>0-40</td><td>2228</td><td>44.4</td></tr> <tr><td>0-60</td><td>3836</td><td>76.4</td></tr> <tr><td>0-90</td><td>5019</td><td>100.0</td></tr> <tr><td>0-180</td><td>5020</td><td>100.0</td></tr> </tbody> </table> | Degrees | Lumens | % Luminaire | 0-30 | 1387 | 27.6 | 0-40 | 2228 | 44.4 | 0-60 | 3836 | 76.4 | 0-90 | 5019 | 100.0 | 0-180 | 5020 | 100.0 | <table border="1"> <thead> <tr> <th>Angle</th> <th>End</th> <th>45°</th> <th>Cross</th> </tr> </thead> <tbody> <tr><td>45</td><td>7725</td><td>8080</td><td>8349</td></tr> <tr><td>55</td><td>7009</td><td>7732</td><td>8457</td></tr> <tr><td>65</td><td>6290</td><td>7919</td><td>9045</td></tr> <tr><td>75</td><td>5613</td><td>8389</td><td>9769</td></tr> <tr><td>85</td><td>4870</td><td>7342</td><td>7903</td></tr> </tbody> </table> | Angle | End | 45° | Cross | 45 | 7725 | 8080 | 8349 | 55 | 7009 | 7732 | 8457 | 65 | 6290 | 7919 | 9045 | 75 | 5613 | 8389 | 9769 | 85 | 4870 | 7342 |
| Angle   | End  | 45          | Cross |     |                           |     |      |                          |      |   |      |      |      |    |      |      |      |    |      |      |      |    |      |      |      |    |      |      |      |    |     |     |     |    |     |     |     |    |     |     |     |    |    |     |     |  |         |        |             |      |      |      |      |      |      |      |      |      |      |      |       |       |      |       |  |       |     |     |       |    |      |      |      |    |      |      |      |    |      |      |      |    |      |      |      |    |      |      |
| 0   | 1830   | 1830        | 1830  |     |                           |     |      |                          |      |   |      |      |      |    |      |      |      |    |      |      |      |    |      |      |      |    |      |      |      |    |     |     |     |    |     |     |     |    |     |     |     |    |    |     |     |  |         |        |             |      |      |      |      |      |      |      |      |      |      |      |       |       |      |       |  |       |     |     |       |    |      |      |      |    |      |      |      |    |      |      |      |    |      |      |      |    |      |      |
| 5   | 1813   | 1820        | 1825  |     |                           |     |      |                          |      |   |      |      |      |    |      |      |      |    |      |      |      |    |      |      |      |    |      |      |      |    |     |     |     |    |     |     |     |    |     |     |     |    |    |     |     |  |         |        |             |      |      |      |      |      |      |      |      |      |      |      |       |       |      |       |  |       |     |     |       |    |      |      |      |    |      |      |      |    |      |      |      |    |      |      |      |    |      |      |
| 15  | 1725   | 1739        | 1746  |     |                           |     |      |                          |      |   |      |      |      |    |      |      |      |    |      |      |      |    |      |      |      |    |      |      |      |    |     |     |     |    |     |     |     |    |     |     |     |    |    |     |     |  |         |        |             |      |      |      |      |      |      |      |      |      |      |      |       |       |      |       |  |       |     |     |       |    |      |      |      |    |      |      |      |    |      |      |      |    |      |      |      |    |      |      |
| 25  | 1554   | 1571        | 1582  |     |                           |     |      |                          |      |   |      |      |      |    |      |      |      |    |      |      |      |    |      |      |      |    |      |      |      |    |     |     |     |    |     |     |     |    |     |     |     |    |    |     |     |  |         |        |             |      |      |      |      |      |      |      |      |      |      |      |       |       |      |       |  |       |     |     |       |    |      |      |      |    |      |      |      |    |      |      |      |    |      |      |      |    |      |      |
| 35  | 1317   | 1347        | 1365  |     |                           |     |      |                          |      |   |      |      |      |    |      |      |      |    |      |      |      |    |      |      |      |    |      |      |      |    |     |     |     |    |     |     |     |    |     |     |     |    |    |     |     |  |         |        |             |      |      |      |      |      |      |      |      |      |      |      |       |       |      |       |  |       |     |     |       |    |      |      |      |    |      |      |      |    |      |      |      |    |      |      |      |    |      |      |
| 45  | 1048   | 1096        | 1132  |     |                           |     |      |                          |      |   |      |      |      |    |      |      |      |    |      |      |      |    |      |      |      |    |      |      |      |    |     |     |     |    |     |     |     |    |     |     |     |    |    |     |     |  |         |        |             |      |      |      |      |      |      |      |      |      |      |      |       |       |      |       |  |       |     |     |       |    |      |      |      |    |      |      |      |    |      |      |      |    |      |      |      |    |      |      |
| 55  | 771  | 851         | 930   |     |                           |     |      |                          |      |   |      |      |      |    |      |      |      |    |      |      |      |    |      |      |      |    |      |      |      |    |     |     |     |    |     |     |     |    |     |     |     |    |    |     |     |  |         |        |             |      |      |      |      |      |      |      |      |      |      |      |       |       |      |       |  |       |     |     |       |    |      |      |      |    |      |      |      |    |      |      |      |    |      |      |      |    |      |      |
| 65  | 510  | 642         | 733   |     |                           |     |      |                          |      |   |      |      |      |    |      |      |      |    |      |      |      |    |      |      |      |    |      |      |      |    |     |     |     |    |     |     |     |    |     |     |     |    |    |     |     |  |         |        |             |      |      |      |      |      |      |      |      |      |      |      |       |       |      |       |  |       |     |     |       |    |      |      |      |    |      |      |      |    |      |      |      |    |      |      |      |    |      |      |
| 75  | 279  | 417         | 485   |     |                           |     |      |                          |      |   |      |      |      |    |      |      |      |    |      |      |      |    |      |      |      |    |      |      |      |    |     |     |     |    |     |     |     |    |     |     |     |    |    |     |     |  |         |        |             |      |      |      |      |      |      |      |      |      |      |      |       |       |      |       |  |       |     |     |       |    |      |      |      |    |      |      |      |    |      |      |      |    |      |      |      |    |      |      |
| 85  | 81   | 123         | 132   |     |                           |     |      |                          |      |   |      |      |      |    |      |      |      |    |      |      |      |    |      |      |      |    |      |      |      |    |     |     |     |    |     |     |     |    |     |     |     |    |    |     |     |  |         |        |             |      |      |      |      |      |      |      |      |      |      |      |       |       |      |       |  |       |     |     |       |    |      |      |      |    |      |      |      |    |      |      |      |    |      |      |      |    |      |      |
| Degrees   | Lumens   | % Luminaire |       |     |                           |     |      |                          |      |   |      |      |      |    |      |      |      |    |      |      |      |    |      |      |      |    |      |      |      |    |     |     |     |    |     |     |     |    |     |     |     |    |    |     |     |  |         |        |             |      |      |      |      |      |      |      |      |      |      |      |       |       |      |       |  |       |     |     |       |    |      |      |      |    |      |      |      |    |      |      |      |    |      |      |      |    |      |      |
| 0-30  | 1387   | 27.6        |       |     |                           |     |      |                          |      |   |      |      |      |    |      |      |      |    |      |      |      |    |      |      |      |    |      |      |      |    |     |     |     |    |     |     |     |    |     |     |     |    |    |     |     |  |         |        |             |      |      |      |      |      |      |      |      |      |      |      |       |       |      |       |  |       |     |     |       |    |      |      |      |    |      |      |      |    |      |      |      |    |      |      |      |    |      |      |
| 0-40  | 2228   | 44.4        |       |     |                           |     |      |                          |      |   |      |      |      |    |      |      |      |    |      |      |      |    |      |      |      |    |      |      |      |    |     |     |     |    |     |     |     |    |     |     |     |    |    |     |     |  |         |        |             |      |      |      |      |      |      |      |      |      |      |      |       |       |      |       |  |       |     |     |       |    |      |      |      |    |      |      |      |    |      |      |      |    |      |      |      |    |      |      |
| 0-60  | 3836   | 76.4        |       |     |                           |     |      |                          |      |   |      |      |      |    |      |      |      |    |      |      |      |    |      |      |      |    |      |      |      |    |     |     |     |    |     |     |     |    |     |     |     |    |    |     |     |  |         |        |             |      |      |      |      |      |      |      |      |      |      |      |       |       |      |       |  |       |     |     |       |    |      |      |      |    |      |      |      |    |      |      |      |    |      |      |      |    |      |      |
| 0-90  | 5019   | 100.0       |       |     |                           |     |      |                          |      |   |      |      |      |    |      |      |      |    |      |      |      |    |      |      |      |    |      |      |      |    |     |     |     |    |     |     |     |    |     |     |     |    |    |     |     |  |         |        |             |      |      |      |      |      |      |      |      |      |      |      |       |       |      |       |  |       |     |     |       |    |      |      |      |    |      |      |      |    |      |      |      |    |      |      |      |    |      |      |
| 0-180   | 5020   | 100.0       |       |     |                           |     |      |                          |      |   |      |      |      |    |      |      |      |    |      |      |      |    |      |      |      |    |      |      |      |    |     |     |     |    |     |     |     |    |     |     |     |    |    |     |     |  |         |        |             |      |      |      |      |      |      |      |      |      |      |      |       |       |      |       |  |       |     |     |       |    |      |      |      |    |      |      |      |    |      |      |      |    |      |      |      |    |      |      |
| Angle   | End  | 45°         | Cross |     |                           |     |      |                          |      |   |      |      |      |    |      |      |      |    |      |      |      |    |      |      |      |    |      |      |      |    |     |     |     |    |     |     |     |    |     |     |     |    |    |     |     |  |         |        |             |      |      |      |      |      |      |      |      |      |      |      |       |       |      |       |  |       |     |     |       |    |      |      |      |    |      |      |      |    |      |      |      |    |      |      |      |    |      |      |
| 45  | 7725   | 8080        | 8349  |     |                           |     |      |                          |      |   |      |      |      |    |      |      |      |    |      |      |      |    |      |      |      |    |      |      |      |    |     |     |     |    |     |     |     |    |     |     |     |    |    |     |     |  |         |        |             |      |      |      |      |      |      |      |      |      |      |      |       |       |      |       |  |       |     |     |       |    |      |      |      |    |      |      |      |    |      |      |      |    |      |      |      |    |      |      |
| 55  | 7009   | 7732        | 8457  |     |                           |     |      |                          |      |   |      |      |      |    |      |      |      |    |      |      |      |    |      |      |      |    |      |      |      |    |     |     |     |    |     |     |     |    |     |     |     |    |    |     |     |  |         |        |             |      |      |      |      |      |      |      |      |      |      |      |       |       |      |       |  |       |     |     |       |    |      |      |      |    |      |      |      |    |      |      |      |    |      |      |      |    |      |      |
| 65  | 6290   | 7919        | 9045  |     |                           |     |      |                          |      |   |      |      |      |    |      |      |      |    |      |      |      |    |      |      |      |    |      |      |      |    |     |     |     |    |     |     |     |    |     |     |     |    |    |     |     |  |         |        |             |      |      |      |      |      |      |      |      |      |      |      |       |       |      |       |  |       |     |     |       |    |      |      |      |    |      |      |      |    |      |      |      |    |      |      |      |    |      |      |
| 75  | 5613   | 8389        | 9769  |     |                           |     |      |                          |      |   |      |      |      |    |      |      |      |    |      |      |      |    |      |      |      |    |      |      |      |    |     |     |     |    |     |     |     |    |     |     |     |    |    |     |     |  |         |        |             |      |      |      |      |      |      |      |      |      |      |      |       |       |      |       |  |       |     |     |       |    |      |      |      |    |      |      |      |    |      |      |      |    |      |      |      |    |      |      |
| 85  | 4870   | 7342        | 7903  |     |                           |     |      |                          |      |   |      |      |      |    |      |      |      |    |      |      |      |    |      |      |      |    |      |      |      |    |     |     |     |    |     |     |     |    |     |     |     |    |    |     |     |  |         |        |             |      |      |      |      |      |      |      |      |      |      |      |       |       |      |       |  |       |     |     |       |    |      |      |      |    |      |      |      |    |      |      |      |    |      |      |      |    |      |      |
| <b>Coefficients of Utilization</b>  |  |             |       |     |                           |     |      |                          |      |   |      |      |      |    |      |      |      |    |      |      |      |    |      |      |      |    |      |      |      |    |     |     |     |    |     |     |     |    |     |     |     |    |    |     |     |  |         |        |             |      |      |      |      |      |      |      |      |      |      |      |       |       |      |       |  |       |     |     |       |    |      |      |      |    |      |      |      |    |      |      |      |    |      |      |      |    |      |      |
| <b>EFFECTIVE FLOOR CAVITY REFLECTANCE 20 PER (pfc=0.20)</b>   |  |             |       |     |                           |     |      |                          |      |   |      |      |      |    |      |      |      |    |      |      |      |    |      |      |      |    |      |      |      |    |     |     |     |    |     |     |     |    |     |     |     |    |    |     |     |  |         |        |             |      |      |      |      |      |      |      |      |      |      |      |       |       |      |       |  |       |     |     |       |    |      |      |      |    |      |      |      |    |      |      |      |    |      |      |      |    |      |      |
| pcc   | 80   |             |       | 70  |                           |     | 50   |                          |      |   |      |      |      |    |      |      |      |    |      |      |      |    |      |      |      |    |      |      |      |    |     |     |     |    |     |     |     |    |     |     |     |    |    |     |     |  |         |        |             |      |      |      |      |      |      |      |      |      |      |      |       |       |      |       |  |       |     |     |       |    |      |      |      |    |      |      |      |    |      |      |      |    |      |      |      |    |      |      |
| pw  | 70   | 50          | 30    | 70  | 50                        | 30  | 50   | 30                       |      |   |      |      |      |    |      |      |      |    |      |      |      |    |      |      |      |    |      |      |      |    |     |     |     |    |     |     |     |    |     |     |     |    |    |     |     |  |         |        |             |      |      |      |      |      |      |      |      |      |      |      |       |       |      |       |  |       |     |     |       |    |      |      |      |    |      |      |      |    |      |      |      |    |      |      |      |    |      |      |
| RCR   |  |             |       |     |                           |     |      |                          |      |   |      |      |      |    |      |      |      |    |      |      |      |    |      |      |      |    |      |      |      |    |     |     |     |    |     |     |     |    |     |     |     |    |    |     |     |  |         |        |             |      |      |      |      |      |      |      |      |      |      |      |       |       |      |       |  |       |     |     |       |    |      |      |      |    |      |      |      |    |      |      |      |    |      |      |      |    |      |      |
| 0   | 118  | 118         | 118   | 115 | 115                       | 115 | 111  | 111                      |      |   |      |      |      |    |      |      |      |    |      |      |      |    |      |      |      |    |      |      |      |    |     |     |     |    |     |     |     |    |     |     |     |    |    |     |     |  |         |        |             |      |      |      |      |      |      |      |      |      |      |      |       |       |      |       |  |       |     |     |       |    |      |      |      |    |      |      |      |    |      |      |      |    |      |      |      |    |      |      |
| 1   | 108  | 103         | 98    | 105 | 101                       | 96  | 96   | 93                       |      |   |      |      |      |    |      |      |      |    |      |      |      |    |      |      |      |    |      |      |      |    |     |     |     |    |     |     |     |    |     |     |     |    |    |     |     |  |         |        |             |      |      |      |      |      |      |      |      |      |      |      |       |       |      |       |  |       |     |     |       |    |      |      |      |    |      |      |      |    |      |      |      |    |      |      |      |    |      |      |
| 2   | 97   | 90          | 82    | 94  | 88                        | 81  | 83   | 79                       |      |   |      |      |      |    |      |      |      |    |      |      |      |    |      |      |      |    |      |      |      |    |     |     |     |    |     |     |     |    |     |     |     |    |    |     |     |  |         |        |             |      |      |      |      |      |      |      |      |      |      |      |       |       |      |       |  |       |     |     |       |    |      |      |      |    |      |      |      |    |      |      |      |    |      |      |      |    |      |      |
| 3   | 89   | 79          | 69    | 86  | 77                        | 68  | 73   | 67                       |      |   |      |      |      |    |      |      |      |    |      |      |      |    |      |      |      |    |      |      |      |    |     |     |     |    |     |     |     |    |     |     |     |    |    |     |     |  |         |        |             |      |      |      |      |      |      |      |      |      |      |      |       |       |      |       |  |       |     |     |       |    |      |      |      |    |      |      |      |    |      |      |      |    |      |      |      |    |      |      |
| 4   | 81   | 69          | 60    | 79  | 68                        | 59  | 66   | 57                       |      |   |      |      |      |    |      |      |      |    |      |      |      |    |      |      |      |    |      |      |      |    |     |     |     |    |     |     |     |    |     |     |     |    |    |     |     |  |         |        |             |      |      |      |      |      |      |      |      |      |      |      |       |       |      |       |  |       |     |     |       |    |      |      |      |    |      |      |      |    |      |      |      |    |      |      |      |    |      |      |
| 5   | 75   | 61          | 53    | 72  | 60                        | 52  | 58   | 51                       |      |   |      |      |      |    |      |      |      |    |      |      |      |    |      |      |      |    |      |      |      |    |     |     |     |    |     |     |     |    |     |     |     |    |    |     |     |  |         |        |             |      |      |      |      |      |      |      |      |      |      |      |       |       |      |       |  |       |     |     |       |    |      |      |      |    |      |      |      |    |      |      |      |    |      |      |      |    |      |      |
| 6   | 69   | 56          | 46    | 68  | 55                        | 46  | 53   | 46                       |      |   |      |      |      |    |      |      |      |    |      |      |      |    |      |      |      |    |      |      |      |    |     |     |     |    |     |     |     |    |     |     |     |    |    |     |     |  |         |        |             |      |      |      |      |      |      |      |      |      |      |      |       |       |      |       |  |       |     |     |       |    |      |      |      |    |      |      |      |    |      |      |      |    |      |      |      |    |      |      |
| 7   | 65   | 51          | 41    | 63  | 50                        | 41  | 47   | 40                       |      |   |      |      |      |    |      |      |      |    |      |      |      |    |      |      |      |    |      |      |      |    |     |     |     |    |     |     |     |    |     |     |     |    |    |     |     |  |         |        |             |      |      |      |      |      |      |      |      |      |      |      |       |       |      |       |  |       |     |     |       |    |      |      |      |    |      |      |      |    |      |      |      |    |      |      |      |    |      |      |
| 8   | 59   | 46          | 38    | 58  | 46                        | 38  | 44   | 36                       |      |   |      |      |      |    |      |      |      |    |      |      |      |    |      |      |      |    |      |      |      |    |     |     |     |    |     |     |     |    |     |     |     |    |    |     |     |  |         |        |             |      |      |      |      |      |      |      |      |      |      |      |       |       |      |       |  |       |     |     |       |    |      |      |      |    |      |      |      |    |      |      |      |    |      |      |      |    |      |      |
| 9   | 56   | 42          | 34    | 55  | 41                        | 34  | 40   | 34                       |      |   |      |      |      |    |      |      |      |    |      |      |      |    |      |      |      |    |      |      |      |    |     |     |     |    |     |     |     |    |     |     |     |    |    |     |     |  |         |        |             |      |      |      |      |      |      |      |      |      |      |      |       |       |      |       |  |       |     |     |       |    |      |      |      |    |      |      |      |    |      |      |      |    |      |      |      |    |      |      |
| 10  | 53   | 39          | 32    | 51  | 39                        | 30  | 38   | 30                       |      |   |      |      |      |    |      |      |      |    |      |      |      |    |      |      |      |    |      |      |      |    |     |     |     |    |     |     |     |    |     |     |     |    |    |     |     |  |         |        |             |      |      |      |      |      |      |      |      |      |      |      |       |       |      |       |  |       |     |     |       |    |      |      |      |    |      |      |      |    |      |      |      |    |      |      |      |    |      |      |

© 2016 Philips Lighting Holding B.V. All rights reserved. Philips reserves the right to make changes in specifications and/or discontinue any product at any time without notice or obligation and will not be liable for any consequences resulting from the use of this publication. philips.com/luminaires



Philips Lighting North America Corporation  
 200 Franklin Square Drive, Somerset, NJ 08873  
 Tel. 855-486-2216

Philips Lighting Canada Ltd.  
 281 Hillmount Rd, Markham, ON, Canada L6C 2S3  
 Tel. 800-668-9008