

PHILIPS LIGHTOLIER

Downlighting

LyteProfile

6" Round downlight
and Lensed wall wash



Project: _____
 Location: _____
 Cat.No: _____
 Type: _____
 Lamps: _____ Qty: _____
 Notes: _____

LyteProfile LED Downlights are designed for new construction and include downlight and wall wash distributions. They are highly energy efficient with up to 100lm/W, provide a full 60° cutoff, and feature an impressively, shallow 4.5" housing.

Complete Product = Frame-in kit + Light engine + Reflector Order each separately

Ordering guide: Frame-in kit¹

Example: P6RD15NZ10UVBEM

Series	Style	Lumens	Installation	Dimming	Input voltage	Version	Options
P6R	D	<input type="checkbox"/>	N	<input type="checkbox"/>	<input type="checkbox"/>	VB	<input type="checkbox"/>
P6R LyteProfile 6" Round	D Downlight	10 1,000 lm	N Non-IC New construction	Z10 0-10V Dimming L Lutron	U Universal (120/277v) 3 347V ²	VB Version B	EM Emergency ²
		15 1,500 lm					
		20 2,000 lm					
		25 2,500 lm	N Non-IC New construction	Z10 0-10V Dimming L Lutron	1 120V 2 277V 3 347V ²		

Ordering guide: Light engine

Example: P6RD835VB

Series	Style	CRI	CCT	Version
P6R	D	8	<input type="checkbox"/>	VB
P6R LyteProfile 6" Round	D Downlight	8 80	27 2700K 30 3000K 35 3500K 40 4000K	VB Version B

For 90 CRI, contact factory.

Ordering guide: Reflector

Example: P6RDCCP

Series	Style	Reflector	Flange
P6R	<input type="checkbox"/>	<input type="checkbox"/>	<input type="checkbox"/>
P6R LyteProfile 6" Round	D Downlight LW Lensed wall wash	CL Clear	Blank White (painted) P Polished (matches aperture)
		CC Comfort clear D Clear diffuse (applied)	
		W White (painted)	Blank White (painted)

1. Mounting Bars need to be ordered separately, see Options and Accessories on page 2 for Mounting Bar options.

2. 347V configurations are not available with the emergency option.

Note: Refer to page 2 for Energy Star certification details.

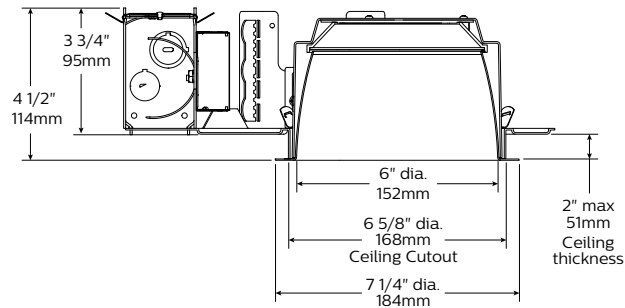


P6R LyteProfile 6" Round

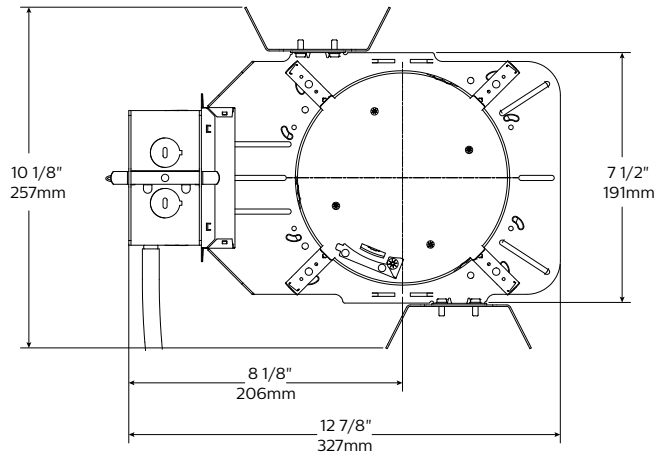
Commercial downlight and lensed wall wash

Frame-in kit

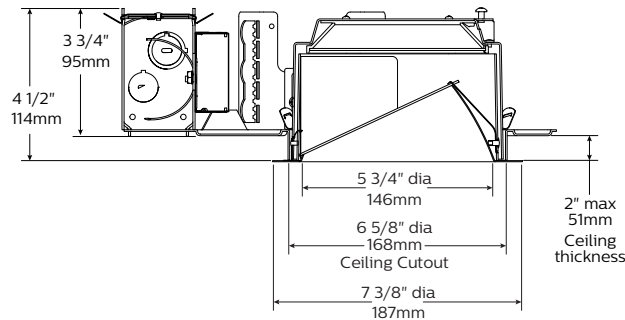
Downlight side view



Top view



Lensed wall wash side view



Features

Ceiling cutout: 6 5/8" (168mm).

Depth: 4 1/2" (114 mm) including light engine.

Power connection: Attaches to light engine via push-in connector (on frame). Removable cover provides access.

Junction box: 2" x 4" x 3 1/2" (22cu. in.) cULus listed for 90°C. Supply conductor .048" thick galvanized steel. Allows inspection from below.

Thermal protector: The 2500 lumen fixture is thermally protected. The 1000, 1500 and 2000 lumen fixtures are inherently protected. Meets NEC & cULus requirements. Do not install insulation above or within 3" of luminaire.

Thermal Management: Thermal design ensures specified performance levels are maintained.

New construction

Mounting frame: Galvanized stamped steel for dry or plaster ceilings.

Mounting brackets: Galvanized Steel. Adjustable through aperture. Use lathing channel (3/4" or 1 1/2"), 1/2" EMT, or optional mounting bars. See Options and Accessories for mounting bar options.

Options and accessories

Dimming capability: 0-10V dimming. See LED-DIM specification sheet.

Emergency capability: Integral; Add "EM" suffix. See LED-EM spec sheet.

Mounting bars:

1950	18" long (set of 2)
1951	27" long (set of 2)
7994	Wood joist telescoping mounting bars (minimum 13 1/4" and maximum 24 1/2")

T-Bar anchor clips:

1956	Set of 4 for use with 18" or 27" mounting bars
-------------	--

Energy Star

All New Construction non-IC (N) frame-in kit and trims are Energy Star certified with the following exceptions:

- **P6RLWCC, P6RLWCCP, P6RLWW** trims with the 1000lm frame (**P6RD10NZ10UVB**)
- **P6RD10NLUVB, P6RD15NLUVB:** Lutron 1000lm and 1500lm frames are energy star certified for 120V applications only
- Emergency configurations
- 347V configurations

Quick-ship

Philips is committed to having the most common items in stock, please refer to our Smart Service guide for details.

Electrical

Electronic power supply: RoHS compliant Class 2 power unit for use in a damp or dry location. Class A sound rated unit tolerates sustained open circuit and short circuit output conditions without damage. Complies with FCC rules per Title 47 CFR Part 15 Non-Consumer (Class A) for EMI/RFI (conducted and radiated). Intended for use with 0-10V DC type dimmers. See LED-DIM spec sheet for latest dimming switch compatibility.

Lifetime: Expected lifetime 50,000 hours at L70 and backed by a 5-year limited warranty. (see Philips.com/warranties for details)

Labels

cULus. Suitable for wet location.

P6R LyteProfile 6" Round

Commercial downlight and lensed wall wash

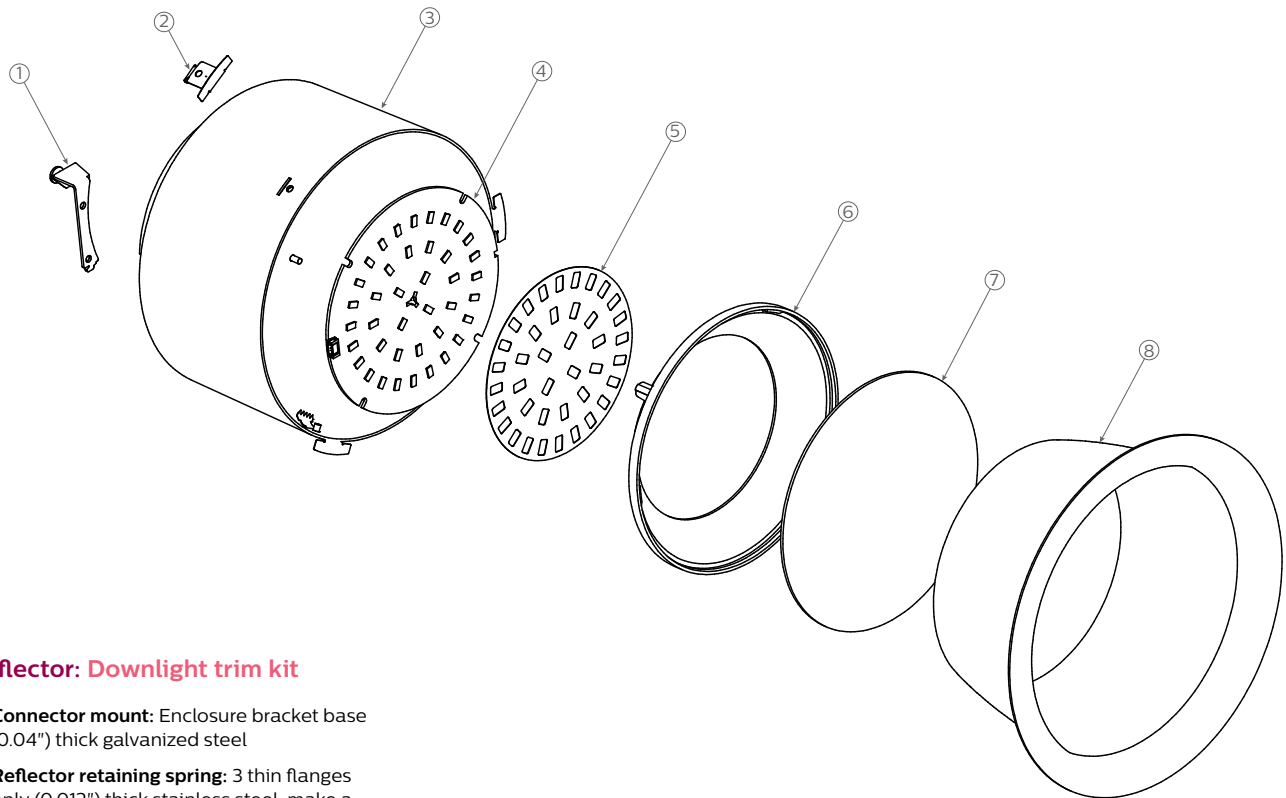
Electrical matrix

Frame-in kit Electrical specifications	Input volts	Input freq.	Input current	LED drive current*	Input power*	LED power	THD factor	Power factor
P6RD10NZ10UVB 1000lm w/0-10V dimming	120V	50/60Hz	0.085	0.236	10	7.7	<20%	>0.9
	277V	50/60Hz	0.041	0.235	10	7.7	<20%	>0.9
P6RD15NZ10UVB 1500lm w/0-10V dimming	120V	50/60Hz	0.131	0.363	15.7	12	<20%	>0.9
	277V	50/60Hz	0.06	0.362	15.6	12	<20%	>0.9
P6RD20NZ10UVB 2000lm w/0-10V dimming	120V	50/60Hz	0.176	0.509	21	17	<20%	>0.9
	277V	50/60Hz	0.079	0.508	21	17	<20%	>0.9
P6RD25NZ101VB 2500lm w/0-10V dimming	120V	50/60Hz	0.243	0.665	34.5	29	<20%	>0.9
P6RD25NZ102VB 2500lm w/0-10V dimming	277V	50/60Hz	0.107	0.663	34	29	<20%	>0.9
P6RD10NZ103VB 1000lm w/0-10v dimming	347V	50/60Hz	0.064	0.243	11.7	8	<20%	>.5
P6RD15NZ103VB 1500lm w/0-10V dimming	347V	50/60Hz	0.085	0.371	16.8	12.6	<20%	>.5
P6RD20NZ103VB 2000lm w/0-10V dimming	347V	50/60Hz	0.107	0.518	22	18	<20%	>.6
P6RD25NZ103VB 2500lm w/0-10V dimming	347V	50/60Hz	0.136	0.677	30.7	24	<20%	>.6
P6RD10NLUVB 1000lm w/ Lutron	120V	50/60Hz	0.084	0.214	10	7	<20%	>0.9
	277V	50/60Hz	0.045	0.213	10	7	<20%	>.8
P6RD15NLUVB 1500lm w/ Lutron	120V	50/60Hz	0.122	0.328	14.5	10.8	<20%	>.09
	277V	50/60Hz	0.06	0.328	14.8	10.8	<20%	>.8
P6RD20NLUVB 2000lm w/ Lutron	120V	50/60Hz	0.167	0.463	20	15.5	<20%	>0.9
	277V	50/60Hz	0.08	0.462	20	15.5	<20%	>.9
P6RD25NL1VB 2500lm w/ Lutron	120V	50/60Hz	0.25	0.666	30	22.8	<20%	>.9
P6RD25NL2VB 2500lm w/ Lutron	277V	50/60Hz	0.115	0.665	30.6	22.8	<20%	>.9
P6RD10NL3VB 1000lm w/ Lutron	347V	50/60Hz	0.058	0.224	12	7	<20%	>.6
P6RD15NL3VB 1500lm w/ Lutron	347V	50/60Hz	0.07	0.348	17	11.8	<20%	>.7
P6RD20NL3VB 2000lm w/ Lutron	347V	50/60Hz	0.086	0.478	23	16.5	<20%	>.7
P6RD25NL3VB 2500lm w/ Lutron	347V	50/60Hz	0.101	0.611	29	21	<20%	>.8

* +/- 10%

P6R LyteProfile 6" Round

Commercial downlight



Reflector: Downlight trim kit

1. **Connector mount:** Enclosure bracket base (0.04") thick galvanized steel
2. **Reflector retaining spring:** 3 thin flanges only (0.012") thick stainless steel, make a clean, flush trim appearance
3. **Housing:** Formed (0.05") thick aluminum provides integrated thermal management.
4. **LED Board:** High efficient Philips mid-flux LEDs.
5. **High reflective disc:** 98% reflectance material to increase light output.
6. **Mixing chamber:** Injection molded and 97% reflectance.
7. **Diffuse lens:** (0.060") High transmission opal lens provides an even source of illumination.
8. **Reflector:** (0.040") Aluminum. Provides 60° cutoff to source.

P6R LyteProfile 6" Round

Commercial downlight

Downlight CRI and CCT adjustment factors

80CRI 2700K = 89%
80CRI 3000K = 97%
80CRI 3500K = 1.00%
80CRI 4000K = 102%

Downlight finish adjustment factors

Reflector
Clear = 100%
Comfort Clear = 97%
White = 88%
Clear diffuse = 79%

Downlight: 1,000lm

Candela Curves	Angle	Mean CP	Lumens
	0	505	
	5	504	48
	10	509	
	15	508	144
	20	501	
	25	485	223
	30	460	
	35	425	265
	40	379	
	45	318	240
	50	227	
	55	91	89
	60	12	
	65	3	3
	70	1	
	75	0	1
	80	0	
	85	0	0
	90	0	

Frame: P6RD10NZ10UVB
Light engine: P6RD835VB
Trim: P6RDCL

Report no³: F34232

Output lumens:	1013lm
Light engine (source) lumens:	1206lm
Input Watts ¹ :	10.2W
Spacing Criterion:	1.3

Efficacy:	99.3lm/W
CCT ² :	3500K
CRI:	>80

Single unit data	Height to Lighted Plane	Initial Center Beam Foot-Candles	Beam Dia. (ft)*
	5'	20	6.5'
	6'	14	7.8'
	7'	10	9.1'
	8'	8	10.4'
	9'	6	11.7'

* Beam diameter is where foot-candles drop to 50% of maximum.

Multiple unit data - RCR 2	Spacing on center	Initial Center Beam Foot-Candles	Watts per Sq. Ft.
	5'	44.0	0.45
	6'	29.0	0.30
	7'	21.0	0.21
	8'	17.0	0.18
	9'	14.0	0.14

38'x38'x10' Room, Workplane 2.5' above floor, 80/50/20% Reflectances

Coefficients of utilization	Ceiling	80%				70%		50%		30%		0%
	Wall	70	50	30	10	50	10	50	10	50	10	0
RCR	Zonal cavity method - Effective floor reflectance = 20%											
Room Cavity Ratio	0	119	119	119	119	116	116	111	111	106	106	100
	1	112	109	106	103	107	102	103	98	99	95	91
	2	105	99	94	90	97	89	94	87	91	85	81
	3	98	90	84	79	88	78	86	77	83	76	73
	4	91	82	75	69	80	69	78	68	76	67	65
	5	85	74	67	62	73	61	71	61	70	60	58
	6	79	68	61	55	67	55	65	55	64	54	52
	7	74	62	55	50	62	50	60	49	59	49	47
	8	69	57	50	45	57	45	56	45	54	44	43
	9	65	53	46	41	52	41	51	41	50	40	39
	10	61	49	42	37	49	37	48	37	47	37	35

Zonal lumens & percentages

Zone	Lumens	%Luminaire
0-30	416	41.1%
0-40	680	67.1%
0-60	1009	99.6%
0-90	1013	100.0%

Downlight: 1,500lm

Candela Curves	Angle	Mean CP	Lumens
	0	746	
	5	744	71
	10	752	
	15	750	212
	20	740	
	25	716	329
	30	678	
	35	627	390
	40	559	
	45	470	356
	50	338	
	55	137	134
	60	18	
	65	4	5
	70	3	
	75	2	2
	80	1	
	85	0	1
	90	0	

Frame: P6RD15NZ10UVB
Light engine: P6RD835VB
Trim: P6RDCL

Report no³: F34233

Output lumens:	1501lm
Light engine (source) lumens:	1761lm
Input Watts ¹ :	15.3W
Spacing Criterion:	1.3

Efficacy:	98.1lm/W
CCT ² :	3500K
CRI:	>80

Single unit data	Height to Lighted Plane	Initial Center Beam Foot-Candles	Beam Dia. (ft)*
	5'	30	6.5'
	6'	21	7.8'
	7'	15	9.1'
	8'	12	10.4'
	9'	9	11.7'

* Beam diameter is where foot-candles drop to 50% of maximum.

Multiple unit data - RCR 2	Spacing on center	Initial Center Beam Foot-Candles	Watts per Sq. Ft.
	5'	66.0	0.68
	6'	43.0	0.45
	7'	31.0	0.32
	8'	26.0	0.26
	9'	21.0	0.21

38'x38'x10' Room, Workplane 2.5' above floor, 80/50/20% Reflectances

Coefficients of utilization	Ceiling	80%				70%		50%		30%		0%
	Wall	70	50	30	10	50	10	50	10	50	10	0
RCR	Zonal cavity method - Effective floor reflectance = 20%											
Room Cavity Ratio	0	119	119	119	119	116	116	111	111	106	106	100
	1	112	109	106	103	107	102	103	98	99	95	91
	2	105	99	94	90	97	89	94	87	91	85	81
	3	98	90	84	79	88	78	86	77	83	76	73
	4	91	82	75	69	80	69	78	68	76	67	65
	5	85	74	67	62	73	61	71	61	70	60	58
	6	79	68	61	55	67	55	65	55	64	54	52
	7	74	62	55	50	62	50	60	49	59	49	47
	8	69	57	50	45	57	45	56	45	54	44	43
	9	65	53	46	41	52	41	51	41	50	40	39
	10	61	49	42	37	49	37	48	37	47	37	35

Zonal lumens & percentages

Zone	Lumens	%Luminaire
0-30	613	40.8%
0-40	1004	66.9%
0-60	1492	99.4%
0-90	1501	100.0%

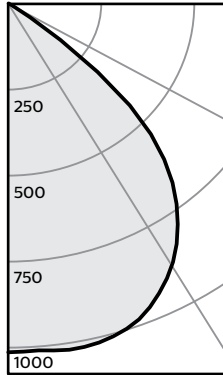
1. Wattage: controlled to within 10%
2. Correlated Color Temperature: within specs as defined in ANSI_NEMA_ANSLG C78.377-2008: Specifications for the Chromaticity of Solid State Lighting Products.
3. Tested using absolute photometry as specified in LM79: IESNA Approved Method for the Electrical and Photometric Measurements of Solid-State Lighting Products.

P6R LyteProfile 6" Round

Commercial downlight

Downlight: 2,000lm

Candela Curves



Angle	Mean CP	Lumens
0	1007	
5	1005	96
10	1015	
15	1013	286
20	999	
25	997	445
30	916	
35	847	527
40	756	
45	636	481
50	458	
55	184	181
60	23	
65	5	7
70	3	
75	2	2
80	1	
85	0	0
90	0	

Single unit data

Height to Lighted Plane	Initial Center Beam Foot-Candles	Beam Dia. (ft)*
5'	40	6.5'
6'	28	7.8'
7'	21	9.1'
8'	16	10.4'
9'	12	11.7'

* Beam diameter is where foot-candles drop to 50% of maximum.

Multiple unit data - RCR 2

Spacing on center	Initial Center Beam Foot-Candles	Watts per Sq. Ft.
5'	89.0	0.92
6'	58.0	0.60
7'	42.0	0.43
8'	35.0	0.36
9'	28.0	0.29

38'x38'x10' Room, Workplane 2.5' above floor, 80/50/20% Reflectances

Coefficients of utilization

Ceiling	80%				70%		50%		30%		0%	
	70	50	30	10	50	10	50	10	50	10	0	
Wall												
RCR	Zonal cavity method - Effective floor reflectance = 20%											
Room Cavity Ratio	0	119	119	119	119	116	116	111	111	106	106	100
	1	112	109	106	103	107	102	103	98	99	95	91
	2	105	99	94	90	97	89	94	87	91	85	81
	3	98	90	84	79	88	78	86	77	83	76	72
	4	91	82	75	69	80	69	78	68	76	67	65
	5	85	74	67	62	73	61	71	61	70	60	58
	6	79	68	61	55	67	55	65	55	64	54	52
	7	74	62	55	50	62	50	60	49	59	49	47
	8	69	57	50	45	57	45	56	45	54	44	42
	9	65	53	46	41	52	41	51	41	50	40	39
	10	61	49	42	37	49	37	48	37	47	37	35

Zonal lumens & percentages

Zone	Lumens	%Luminaire
0-30	827	40.8%
0-40	1355	66.8%
0-60	2017	99.5%
0-90	2027	100.0%

Frame: P6RD20NZ10UVB
Light engine: P6RD835VB
Trim: P6RDCL

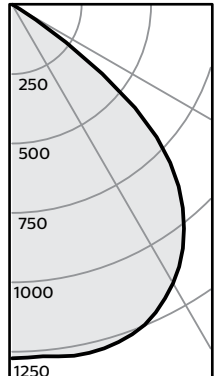
Report no³: F34234

Output lumens: 2027lm
Light engine (source) lumens: 2395lm
Input Watts¹: 20.7W
Spacing Criterion: 1.3

Efficacy: 97.9lm/W
CCT²: 3500K
CRI: >80

Downlight: 2,500lm

Candela Curves



Angle	Mean CP	Lumens
0	1274	
5	1271	122
10	1284	
15	1281	362
20	1264	
25	1223	563
30	1159	
35	1072	667
40	856	
45	805	609
50	577	
55	236	231
60	32	
65	6	10
70	4	
75	2	3
80	2	
85	1	1
90	0	

Single unit data

Height to Lighted Plane	Initial Center Beam Foot-Candles	Beam Dia. (ft)*
5'	51	6.5'
6'	35	7.8'
7'	26	9.1'
8'	20	10.4'
9'	16	11.7'

* Beam diameter is where foot-candles drop to 50% of maximum.

Multiple unit data - RCR 2

Spacing on center	Initial Center Beam Foot-Candles	Watts per Sq. Ft.
5'	112.0	1.26
6'	74.0	0.83
7'	53.0	0.59
8'	44.0	0.49
9'	35.0	0.39

38'x38'x10' Room, Workplane 2.5' above floor, 80/50/20% Reflectances

Coefficients of utilization

Ceiling	80%				70%		50%		30%		0%	
	70	50	30	10	50	10	50	10	50	10	0	
Wall												
RCR	Zonal cavity method - Effective floor reflectance = 20%											
Room Cavity Ratio	0	119	119	119	119	116	116	111	111	106	106	100
	1	112	109	106	103	107	102	103	98	99	95	91
	2	105	99	94	90	97	89	94	87	91	85	81
	3	98	90	84	79	88	78	86	77	83	76	72
	4	91	82	75	69	80	69	78	68	76	67	65
	5	85	74	67	62	73	61	71	61	70	60	58
	6	79	68	61	55	67	55	65	55	64	54	52
	7	74	62	55	50	62	50	60	49	59	49	47
	8	69	57	50	45	57	45	56	45	54	44	42
	9	65	53	46	41	52	41	51	41	50	40	39
	10	61	49	42	37	49	37	48	37	47	37	35

Zonal lumens & percentages

Zone	Lumens	%Luminaire
0-30	1047	40.8%
0-40	1714	66.8%
0-60	2553	99.5%
0-90	2566	100.0%

Frame: P6RD25NZ101VB
Light engine: P6RD835VB
Trim: P6RDCL

Report no³: F34235

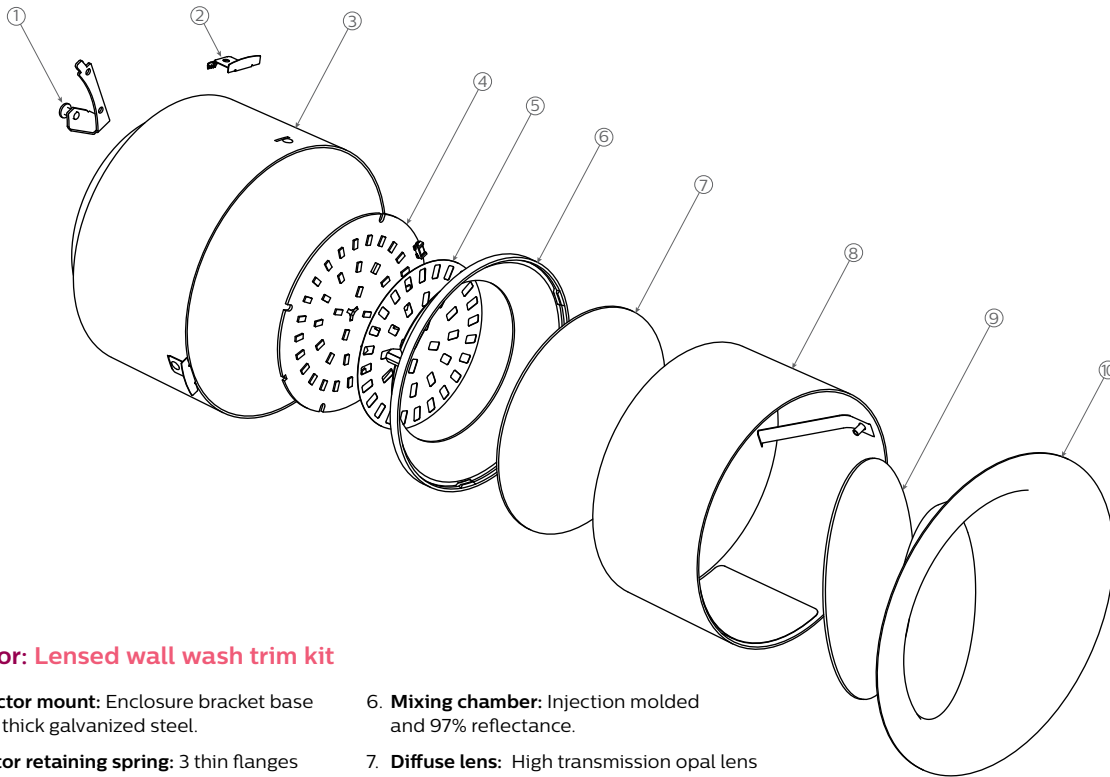
Output lumens: 2566lm
Light engine (source) lumens: 3046lm
Input Watts¹: 28.4W
Spacing Criterion: 1.3

Efficacy: 90.4lm/W
CCT²: 3500K
CRI: >80

1. Wattage: controlled to within 10%
2. Correlated Color Temperature: within specs as defined in ANSI_NEMA_ANSI C78.377-2008: Specifications for the Chromaticity of Solid State Lighting Products.
3. Tested using absolute photometry as specified in LM79: IESNA Approved Method for the Electrical and Photometric Measurements of Solid-State Lighting Products.

P6R LyteProfile 6" Round

Commercial lensed wall wash



Reflector: Lensed wall wash trim kit

1. **Connector mount:** Enclosure bracket base (0.04") thick galvanized steel.
2. **Reflector retaining spring:** 3 thin flanges only (0.012") thick stainless steel, make a clean, flush trim appearance.
3. **Housing:** Formed (0.05") thick aluminum provides integrated thermal management.
4. **LED Board:** High efficient Philips mid-flux LEDs.
5. **High reflective disc:** 98% reflectance material to increase light output.
6. **Mixing chamber:** Injection molded and 97% reflectance.
7. **Diffuse lens:** High transmission opal lens provides an even source of illumination.
8. **Kick reflector sleeve:** Aluminum. Lined with a highly reflective material to increase light output.
9. **Wall wash diffuse lens:** High transmission opal lens.
10. **Reflector:** (0.040") Aluminum. Provides clean and uniform wall-washing spill.

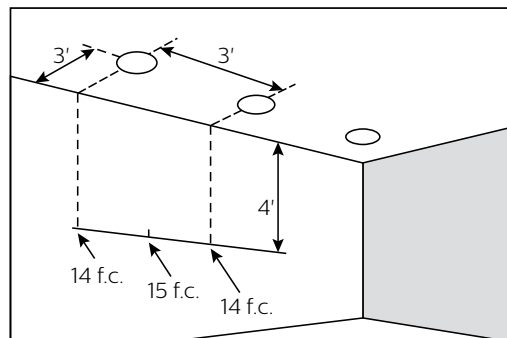
Lensed wall wash

Lighting Data (example)

P6RD10NZ10UVB/P6RD835VB/P6RLWCL
illumination on the wall 4' down from the ceiling
is 14 f.c. beneath and 15 f.c. between fixtures.

CRI and CCT adjustment factors

80CRI 4000K	= 102%
80CRI 3500K	= 100%
80CRI 3000K	= 97%
80CRI 2700K	= 89%

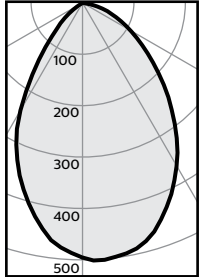


P6R LyteProfile 6" Round

Commercial lensed wall wash

Lensed wall wash: 1,000lm

Candela Curve



Downlight side Wall wash side

Frame: **P6RD10NZ10UVB**
 Light engine: **P6RD835VB**
 Trim: **P6RLWCL**

Output lumens:	729 lms
Light engine (source) lumens:	1206 lms
Input Watts ¹ :	10.2W
Efficacy:	71.5 lm/w
CCT ² :	3500K
CRI ³ :	>80

Report no³: F34240

Multiple unit data

Foot-candles on wall	2' from wall		
	3' on center		
1	18	13	18
2	24	21	24
3	20	20	20
4	15	15	15
5	12	12	12
6	9	9	9
7	7	7	7
8	6	6	6
9	5	5	5
10	4	4	4
12	4	3	4
14	3	3	3

Multiple unit data

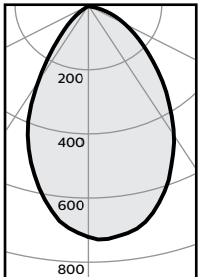
Foot-candles on wall	3' from wall		
	3' on center		
1	7	8	7
2	13	14	13
3	15	16	15
4	14	15	14
5	12	13	12
6	11	11	11
7	9	9	9
8	8	8	8
9	6	6	6
10	6	6	6
12	5	5	5
14	4	4	4

Multiple unit data (shown above)

Foot-candles on wall	3' from wall		
	4' on center		
1	6	5	6
2	11	9	11
3	12	11	12
4	11	11	11
5	9	9	9
6	7	8	7
7	6	6	6
8	5	5	5
9	4	4	4
10	3	4	3
12	3	3	3
14	2	2	2

Lensed wall wash: 1,500lm

Candela Curve



Downlight side Wall wash side

Frame: **P6RD15NZ10UVB**
 Light engine: **P6RD835VB**
 Trim: **P6RLWCL**

Output lumens:	1087 lms
Light engine (source) lumens:	1761 lms
Input Watts ¹ :	15.3W
Efficacy:	71.0 lm/w
CCT ² :	3500K
CRI ³ :	>80

Report no³: F34241

Multiple unit data

Foot-candles on wall	2' from wall		
	3' on center		
1	28	20	28
2	37	32	37
3	30	30	30
4	22	23	22
5	17	17	17
6	12	12	12
7	9	9	9
8	7	7	7
9	5	5	5
10	4	4	4
12	3	3	3
14	3	3	3

Multiple unit data

Foot-candles on wall	3' from wall		
	3' on center		
1	11	11	11
2	20	20	20
3	22	23	22
4	20	21	20
5	17	18	17
6	14	14	14
7	11	11	11
8	9	9	9
9	7	7	7
10	5	6	5
12	4	4	4
14	4	4	4

Multiple unit data (shown above)

Foot-candles on wall	3' from wall		
	4' on center		
1	9	7	9
2	16	14	16
3	18	17	18
4	16	16	16
5	14	14	14
6	11	11	11
7	9	9	9
8	7	8	7
9	6	6	6
10	5	5	5
12	4	4	4
14	3	4	3

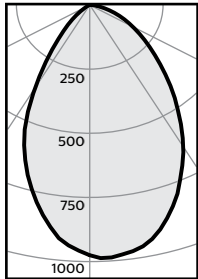
1. Wattage: controlled to within 10%
 2. Correlated Color Temperature: within specs as defined in ANSI_NEMA_ANSLG C78.377-2008: Specifications for the Chromaticity of Solid State Lighting Products.
 3. Tested using absolute photometry as specified in LM79: IESNA Approved Method for the Electrical and Photometric Measurements of Solid-State Lighting Products.

P6R LyteProfile 6" Round

Commercial lensed wall wash

Lensed wall wash: 2,000 lm

Candela Curve



Downlight side Wall wash side

Frame: P6RD20NZ10UVB
Light engine: P6RD835VB
Trim: P6RLWCL

Output lumens:	1465lms
Light engine (source) lumens:	2395lms
Input Watts ¹ :	20.6W
Efficacy:	71.1lm/w
CCT ² :	3500K
CRI ³ :	>80

Report no³: F34242

Multiple unit data

Foot-candles on wall	2' from wall		
	3' on center		
1	38	27	38
2	49	43	49
3	41	40	41
4	30	31	30
5	22	22	22
6	16	16	16
7	12	12	12
8	9	9	9
9	7	7	7
10	5	5	5
12	4	4	4
14	4	4	4

Multiple unit data

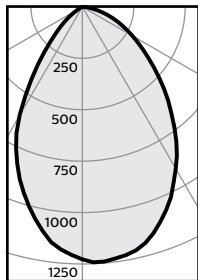
Foot-candles on wall	3' from wall		
	3' on center		
1	14	14	14
2	26	27	26
3	30	31	30
4	28	29	28
5	23	24	23
6	18	19	18
7	15	15	15
8	12	12	12
9	9	9	9
10	7	8	7
12	6	6	6
14	5	5	5

Multiple unit data (shown above)

Foot-candles on wall	3' from wall			
	4' on center			
1	12	9	12	12
2	21	19	21	21
3	24	23	24	24
4	22	22	22	22
5	18	19	18	18
6	15	15	15	15
7	12	12	12	12
8	10	10	10	10
9	8	8	8	8
10	6	7	6	6
12	5	6	5	5
14	5	5	5	5

Lensed wall wash: 2,500 lm

Candela Curve



Downlight side Wall wash side

Frame: P6RD25NZ101VB
Light engine: P6RD835VB
Trim: P6RLWCL

Output lumens:	1851lms
Light engine (source) lumens:	3046lms
Input Watts ¹ :	28.3W
Efficacy:	65.4lm/w
CCT ² :	3500K
CRI ³ :	>80

Report no³: F34243

Multiple unit data

Foot-candles on wall	2' from wall		
	3' on center		
1	47	34	47
2	62	54	62
3	52	50	52
4	38	39	38
5	28	28	28
6	20	21	20
7	15	15	15
8	11	12	11
9	9	9	9
10	7	7	7
12	5	6	5
14	5	5	5

Multiple unit data

Foot-candles on wall	3' from wall		
	3' on center		
1	19	20	19
2	34	35	34
3	39	40	39
4	36	37	36
5	31	32	31
6	25	26	25
7	20	21	20
8	16	17	16
9	13	14	13
10	11	11	11
12	9	10	9
14	8	8	8

Multiple unit data (shown above)

Foot-candles on wall	3' from wall			
	4' on center			
1	15	12	15	15
2	27	24	27	27
3	30	28	30	30
4	27	27	27	27
5	23	24	23	23
6	19	19	19	19
7	15	16	15	15
8	12	13	12	12
9	10	10	10	10
10	8	9	8	8
12	7	7	7	7
14	6	6	6	6

1. Wattage: controlled to within 10%
2. Correlated Color Temperature: within specs as defined in ANSI_NEMA_ANSLG C78.377-2008: Specifications for the Chromaticity of Solid State Lighting Products.
3. Tested using absolute photometry as specified in LM79: IESNA Approved Method for the Electrical and Photometric Measurements of Solid-State Lighting Products.

© 2014 Koninklijke Philips N.V. All rights reserved.
Philips reserves the right to make changes in specifications and/or to discontinue any product at any time without notice or obligation and will not be liable for any consequences resulting from the use of this publication.
philips.com/luminaires



Philips Lighting, North America Corporation
200 Franklin Square Drive, Somerset, NJ 08873
Tel. 855-486-2216

Imported by: Philips Lighting,
A division of Philips Electronics Ltd.
281 Hillmount Rd, Markham, ON, Canada L6C 2S3
Tel. 800-668-9008