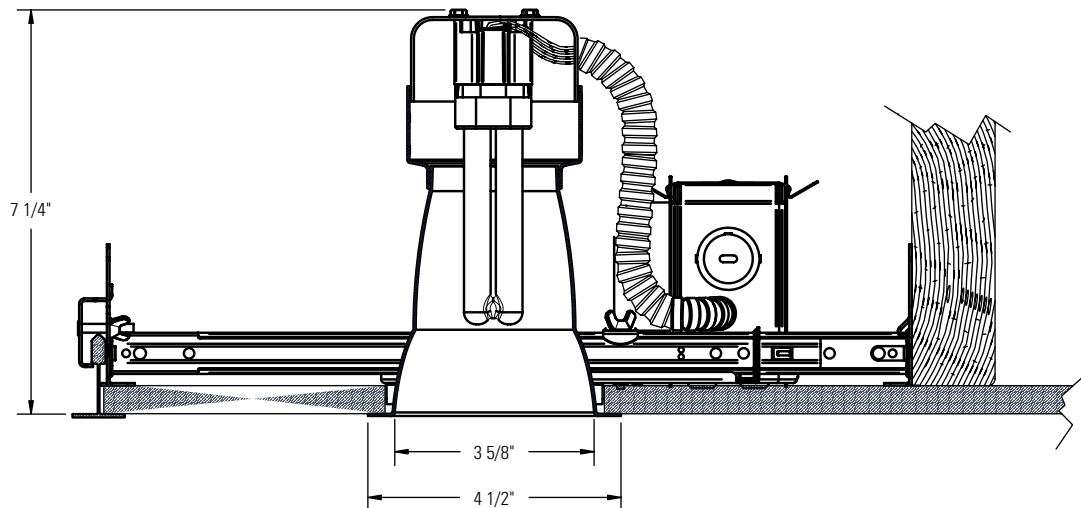


Lytecaster® Performance Recessed CFL Downlighting **2001**

Page 1 of 2

3 3/4" Aperture Vertical Open, Compact Fluorescent, Performance Series, Reflector Trim



Complete Fixture consists of Frame-In Kit and Reflector Trim. Select each separately.

Uniframe™ Compact Fluorescent Performance Series Reflector Trims

Catalog No.	Description
2001CL	3 3/4" Vertical Open Downlight – Specular Clear
2001CD	3 3/4" Vertical Open Downlight – Clear Diffuse
2001WH	3 3/4" Vertical Open Downlight – Matte White

Compatible Frame-In Kits

(See Individual Frame-In Kit Specification Sheets)

Catalog No.	Installation Type	Lamping
2001F13U	Uniframe™ Non-IC 120/277v	13w Quad/Triple
2001F18U	Uniframe™ Non-IC 120v/277v	18w Triple
2001F13ICU/N	Performance IC 120v/277v	13w Quad/Triple
2001F18ICU/N	Performance IC 120v/277v	18w Triple

Features

- Reflector:** Formed aluminum. Matte White flange.
- Finishes:** CL = Specular Clear (Iridescent Free coating)
CD = Clear Diffuse
WH = Matte White Paint
- Performance Data:** 65° Cutoff angle.
See attached photometric reports for distribution and efficiency data.
Go to www.lightolier.com for .IES files.

Labels

cULus Listed. Suitable for Damp Locations. I.B.E.W.

Job Information

Type:

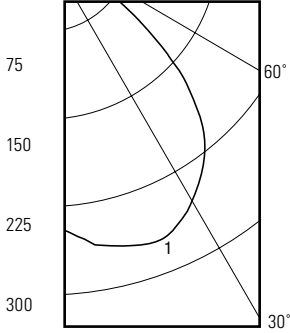
Job Name:
Cat. No.:
Lamp(s):
Notes:

Lightolier a Genlyte company www.lightolier.com
631 Airport Road, Fall River, MA 02720 • (508) 679-8131 • Fax (508) 674-4710
We reserve the right to change details of design, materials and finish.
© 2007 Genlyte Group LLC • C1007

LIGHTOLIER®



18W TRIPLE TUBE LAMP, LUMEN RATING = 1200 LMS, ELECTRONIC BALLAST, CL FINISH TRIM



SC = 1.5

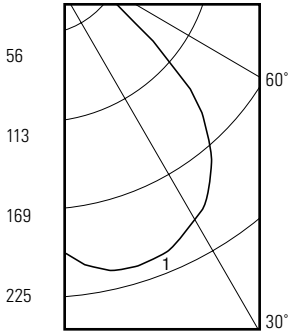
CERTIFIED TEST REPORT NO. 3038FR
COMPUTED BY LSI PROGRAM
TEST-LITE

CANDLEPOWER SUMMARY		ZONAL LUMEN SUMMARY		ZONAL LUMENS AND PERCENTAGES			
Angle	0° CP	Zone	Lumens	Zone	Lumens	%Lamp	%Fixt
0	239	0-10	23.94	0-30	222.19	18.5	39
5	246	10-20	75.59	0-40	370.28	30.9	65.1
10	260	20-30	122.65	0-60	564.67	47.1	99.2
15	266	30-40	148.09	0-90	569.15	47.4	100
20	271	40-50	136.28	90-120	0	0	0
25	267	50-60	58.12	90-130	0	0	0
30	255	60-70	4.48	90-150	0	0	0
35	238	70-80	.0	90-180	0	0	0
40	215	80-90	0	0-180	569.15	47.4	100
45	180	90-100	0	** Efficiency = 47.4%**			
50	130	100-110	0				
55	59	110-120	0				
60	19	120-130	0				
65	1	130-140	0				
70	0	140-150	0				
75	0	150-160	0				
80	0	160-170	0				
85	0	170-180	0				
90	0						

COEFFICIENTS OF UTILIZATION												
Ceiling	80%				70%		50%		30%		0	
	70	50	30	10	50	10	50	10	50	10		
Wall	70	50	30	10	50	10	50	10	50	10	0	
RCR	Zonal Cavity Method - Effective Floor Reflectance = 20%											
Room Cavity Ratio	0	56	56	56	56	55	55	53	53	50	50	47
	1	53	52	50	49	50	48	49	47	47	45	43
	2	50	47	44	42	46	42	44	41	43	40	38
	3	46	42	39	37	42	37	40	36	39	35	34
	4	43	38	35	32	38	32	37	32	36	31	30
	5	40	35	31	29	34	28	33	28	32	28	27
	6	37	32	28	25	31	25	30	25	30	25	24
	7	35	29	25	23	29	23	28	23	27	22	21
	8	32	27	23	21	26	21	26	20	25	20	19
	9	30	24	21	19	24	19	24	18	23	18	18
10	28	23	19	17	22	17	22	17	22	17	16	

Determined In Accordance With Current IES Published Procedures
Luminaire Input Watts = 22.0

13W TRIPLE TUBE LAMP, LUMEN RATING = 900 LMS, ELECTRONIC BALLAST, CL FINISH TRIM



SC = 1.5

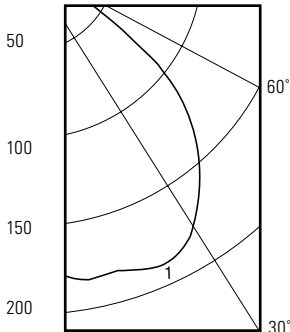
CERTIFIED TEST REPORT NO. 3040FR
COMPUTED BY LSI PROGRAM
TEST-LITE

CANDLEPOWER SUMMARY		ZONAL LUMEN SUMMARY		ZONAL LUMENS AND PERCENTAGES			
Angle	0° CP	Zone	Lumens	Zone	Lumens	%Lamp	%Fixt
0	190	0-10	19.02	0-30	175.46	19.5	37.8
5	195	10-20	60.03	0-40	294.57	32.7	63.5
10	207	20-30	96.41	0-60	458.58	51.1	98.8
15	212	30-40	119.11	0-90	464.18	51.6	100
20	213	40-50	113.45	90-120	0	0	0
25	209	50-60	50.56	90-130	0	0	0
30	202	60-70	5.48	90-150	0	0	0
35	191	70-80	.13	90-180	0	0	0
40	175	80-90	0	0-180	464.18	51.6	100
45	151	90-100	0	** Efficiency = 51.6%**			
50	108	100-110	0				
55	53	110-120	0				
60	18	120-130	0				
65	3	130-140	0				
70	1	140-150	0				
75	0	150-160	0				
80	0	160-170	0				
85	0	170-180	0				
90	0						

COEFFICIENTS OF UTILIZATION												
Ceiling	80%				70%		50%		30%		0	
	70	50	30	10	50	10	50	10	50	10		
Wall	70	50	30	10	50	10	50	10	50	10	0	
RCR	Zonal Cavity Method - Effective Floor Reflectance = 20%											
Room Cavity Ratio	0	61	61	61	61	60	60	57	57	55	55	52
	1	58	56	54	53	55	52	53	50	51	49	47
	2	54	51	48	46	50	45	48	44	46	43	41
	3	50	46	42	40	45	39	44	39	42	38	37
	4	46	41	38	35	41	35	40	34	38	34	32
	5	43	38	34	31	37	31	36	30	35	30	29
	6	40	34	30	27	34	27	33	27	32	27	26
	7	37	31	27	24	31	24	30	24	29	24	23
	8	35	29	25	22	28	22	28	22	27	22	21
	9	33	26	22	20	26	20	25	20	25	20	19
10	31	24	21	18	24	18	24	18	23	18	17	

Determined In Accordance With Current IES Published Procedures
Luminaire Input Watts = 17.0

13W QUAD TUBE LAMP, LUMEN RATING = 900 LMS, ELECTRONIC BALLAST, CL FINISH TRIM



SC = 1.4

CERTIFIED TEST REPORT NO. 3039FR
COMPUTED BY LSI PROGRAM
TEST-LITE

CANDLEPOWER SUMMARY		ZONAL LUMEN SUMMARY		ZONAL LUMENS AND PERCENTAGES			
Angle	0° CP	Zone	Lumens	Zone	Lumens	%Lamp	%Fixt
5	174	0-10	17.21	0-30	55.05	17.2	38.4
10	179	10-20	52.09	0-40	257.28	28.6	63.7
15	183	20-30	85.75	0-60	399.05	44.3	98.8
20	182	30-40	102.22	0-90	403.78	44.9	100
25	187	40-50	95.83	90-120	0	0	0
30	187	50-60	45.94	90-130	0	0	0
35	179	60-70	4.74	90-150	0	0	0
40	164	70-80	0	90-180	0	0	0
45	146	80-90	0	0-180	403.78	44.9	100
50	126	90-100	0	** Efficiency = 44.9%**			
55	97	100-110	0				
60	48	110-120	0				
65	17	120-130	0				
70	2	130-140	0				
75	0	140-150	0				
80	0	150-160	0				
85	0	160-170	0				
90	0	170-180	0				

COEFFICIENTS OF UTILIZATION												
Ceiling	80%				70%		50%		30%		0	
	70	50	30	10	50	10	50	10	50	10		
Wall	70	50	30	10	50	10	50	10	50	10	0	
RCR	Zonal Cavity Method - Effective Floor Reflectance = 20%											
Room Cavity Ratio	0	53	53	53	52	52	50	50	48	48	45	
	1	50	49	47	46	48	45	46	44	44	43	41
	2	47	44	42	40	43	39	42	38	40	38	36
	3	44	40	37	35	39	34	38	34	37	33	32
	4	40	36	33	30	35	30	34	30	33	29	28
	5	37	33	29	27	32	27	31	26	30	26	25
	6	35	30	26	24	29	24	29	24	28	23	22
	7	32	27	24	21	27	21	26	21	26	21	20
	8	30	25	22	19	25	19	24	19	24	19	18
	9	28	23	20	17	23	17	22	17	22	17	16
10	27	21	18	16	21	16	21	16	20	16	15	

Determined In Accordance With Current IES Published Procedures
Luminaire Input Watts = 16.0

Job Information

Type:

Lightolier a Genlyte company www.lightolier.com
631 Airport Road, Fall River, MA 02720 • (508) 679-8131 • Fax (508) 674-4710
We reserve the right to change details of design, materials and finish.
© 2007 Genlyte Group LLC • C1007