

# PHILIPS Day-Brite CFI

Recessed

TG8 troffer 1x4

T5, T5HO, T8



Project: \_\_\_\_\_

Location: \_\_\_\_\_

Cat.No: \_\_\_\_\_

Type: \_\_\_\_\_

Lamps: \_\_\_\_\_ Qty: \_\_\_\_\_

Notes: \_\_\_\_\_

The Philips Day-Brite / Philips CFI TG8 troffer is a quality low-profile recessed luminaire with specification features. It is designed around modern lamps and electronic ballasts.

### Ordering guide

Example: 1TG8232-01-UNV-1/2-EBLHE-LPT835HL

Width	Family	Ceiling Type	Housing	No. of Lamps (not included)	Lamp Type	Door Frame	Lens	Door Finish	Voltage	Options
1	T	G	8							
1' 1'	T TG troffer	G Grid	8 Low profile housing	1 2 3 (except 54HO)	28 28WT5 (46") 32 32WT8 (48") 54HO 54W T5HO (46")	BLANK RA Flat Steel Regressed Aluminum	01 Pattern 12 prismatic acrylic K12, .125" nominal 19 K19, .156" nominal 21 Pattern 12, .125" nominal 30 1/2"x1/2"x1/2" silver louver, polystyrene 34 1-1/2"x1-1/2"x1" silver louver, polystyrene 52 3/4"x3/4"x1/2" silver louver, polystyrene PL3 ALP Para-lite3 high efficiency 3/4"x3/4"x1/2" silver louver, polystyrene	BLANK B White Black Door	120 277 347 UNV Universal Voltage 120-277V	1/1 One 1-lamp ballast 1/2 One 2-lamp ballast 1/3 One 3-lamp ballast 1/21 2-lamp & 1-lamp ballasts EB Electronic ballast, <10% THD, std. ballast factor EB1OR T8 electronic ballast, program rapid start, <10% THD EBHE T8 electronic ballast, high efficiency, std. ballast factor EBLHE T8 electronic ballast, high efficiency, low ballast factor EBHHE T8 electronic ballast, high efficiency, high ballast factor EBD Electronic dimming ballast, customer specified EBSD T8 electronic step dimming ballast, .88 ballast factor EBD7 Advance Mark 7 dimming ballast, 0-10V (low voltage) control EBDX Advance Mark 10 dimming ballast, phase control E1 B100 emerg. ballast, T8, 350-450 lumens, 120/277V E1CAN B100-CAN emerg. ballast, Canada market, T8, 350-450 lumens, 120/347V E7 B60 emerg. ballast, T8, 600-700 lumens, 120/277V E5 B50 emerg. ballast, U.S. or Canada market, T8, 1100-1400 lumens, UNV E5CAN B50-CAN emerg. ballast, Canada market, T8, 1100-1400 lumens, 120/347V E5ST B50ST emerg. ballast w/self test, T8, 1100-1400 lumens, UNV E7LP LP550 emerg. ballast T5/T5HO, 430-700 lumens, 120/277V E6LP LP600 emerg. ballast U.S. or Canada market, T5/T5HO, 750-1325 lumens, 120/277V F1 3/8" flex 3 wire, 18 gauge 6' F2 3/8" flex 4 wire, 18 gauge 6' F2/5W 3/8" single flex, 5 wire 18 gauge 6' for dimmable luminaires GLR Fusing, fast blow

### Accessories

- FMA14 1'x4' "F" mounting frame for NEMA "F" mounting
- GCP Grid clip pack (1'x4')



# 1TG8 TG8 troffer 1x4

T5, T5HO, T8

## Construction/finish

- Quality recessed troffer for the following "NEMA" ceiling types: NEMA "G"-Grid, NEMA "NFS-G"-Narrow Faced Slot Grid, NEMA "GR"-Grid Regressed, NEMA "NFG"-Narrow Faced Grid
- Field assembled and installed "F" mounting Frame adapts fixture for use in NEMA "F" ceilings requiring flanges.
- Housing is constructed of pre-painted steel.
- Troffer body die-formed CR steel with reinforcing ribs for rigidity.
- 7/8" K.O.'s provided in each end cap and quick wire access plate in housing top with two 7/8" K.O.'s provided.
- Snap on wireway cover.

- T-bar clips are not integral to the luminaire, and must be ordered separately.
- Low profile body minimizes clearance required.
- All units have wire hanger tabs for independent wire suspension.

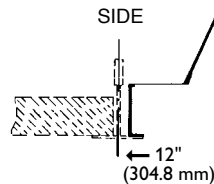
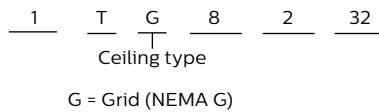
## Electrical

- UL listed, suitable for damp locations.
- Self-contained fluorescent emergency power packs can be incorporated. UL listed for dry locations.
- No exposed internal wiring.

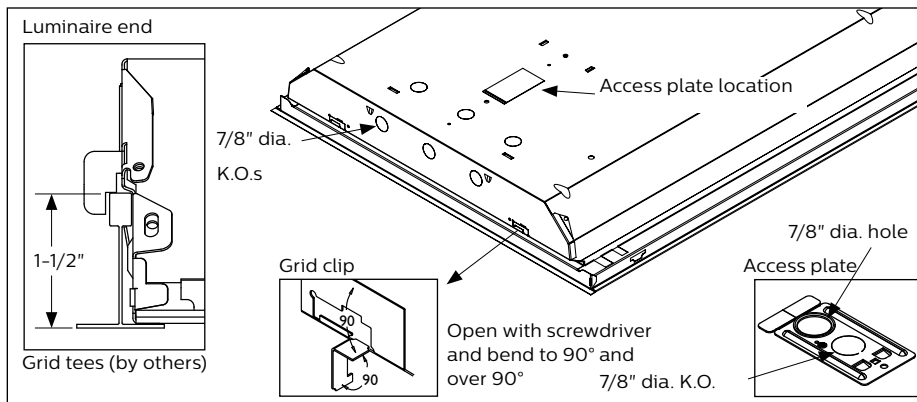
## Enclosure

- Flat steel door frame has mitered corners.
- Hinged and latched (from either side) door frame.
- Mechanically designed interlocks eliminate light leaks, no gaskets are needed.
- White (standard) or black (optional) door frames available.
- Diffuser is clear color stabilized 100% prismatic acrylic.

## Ceiling Configuration



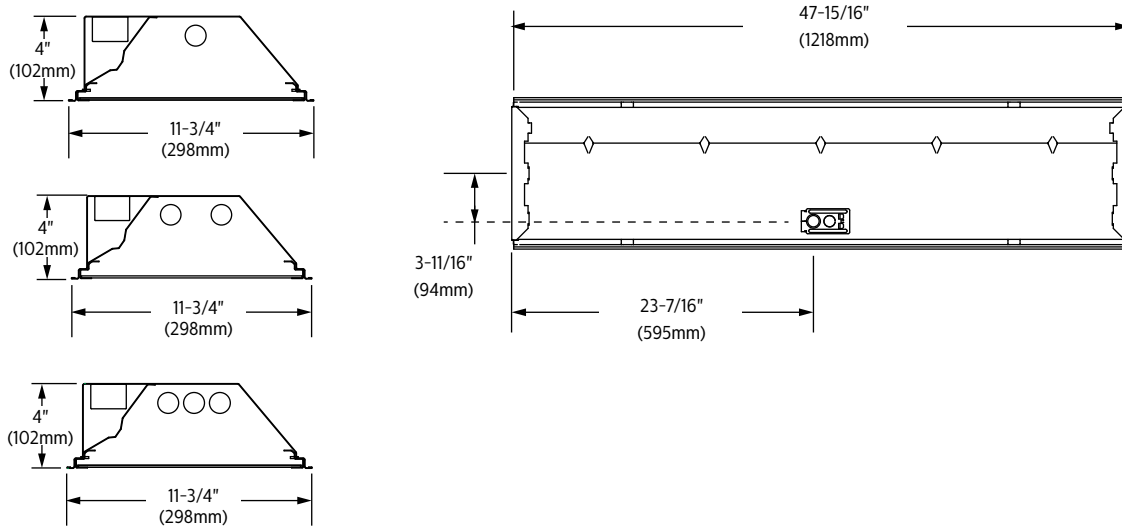
(NEMA Type G)  
Lay-in acoustical ceilings using exposed grid suspension, with tees for luminaires on 12" x 48" spacing.



# 1TG8 TG8 troffer 1x4

T5, T5HO, T8

## Dimensions



## Photometry

### TG8 troffer 1x4 2 Lamp T8

Efficiency – 69.2%

LER – 68

TER – 61

<b>Catalog No.</b> 1TG8232-01 <b>Test No.</b> 33910 <b>S/MH</b> 1.3 <b>Lamp Type</b> F32T8 <b>Lumens/Lamp</b> 3100 <b>Ballast Factor</b> .89 <b>Input Watts</b> 56	<b>Candlepower</b>				<b>Light Distribution</b>				<b>Average Luminance</b>							
	<b>Angle</b>	<b>End</b>	<b>45</b>	<b>Cross</b>	<b>Degrees</b>	<b>Lumens</b>	<b>% Lamp</b>	<b>% Luminaire</b>	<b>Angle</b>	<b>End</b>	<b>45°</b>	<b>Cross</b>				
	0	1732	1732	1732	0-30	1363	22.0	31.8	45	5170	4977	4596				
	5	1722	1723	1728	0-40	2219	35.8	51.8	55	4223	3933	3382				
	15	1668	1677	1679	0-60	3639	58.7	84.9	65	3154	2738	2479				
	25	1545	1553	1561	0-90	4290	69.2	100	75	2788	2077	1951				
	35	1352	1353	1335					85	3838	2270	1354				
	45	1080	1039	960	<b>Coefficients of Utilization</b>											
	55	715	666	573	<b>Effective Floor Cavity Reflectance 20 Per (Pfc=0.20)</b>											
	65	394	342	309	pcc	80			70			50				
75	213	159	149	pw	70	50	30	70	50	30	50	30				
85	99	58	35	RCR												
				0	81	81	81	80	80	80	77	77				
				1	76	72	69	73	70	68	68	66				
				2	68	64	59	68	63	58	59	56				
				3	64	56	52	61	56	51	54	50				
				4	58	51	45	56	50	45	47	44				
				5	54	46	40	53	45	40	44	39				
				6	50	40	35	48	40	34	40	34				
				7	46	38	32	46	36	32	35	30				
				8	44	34	28	41	34	28	33	28				
				9	40	32	26	40	30	26	30	26				
				10	38	28	23	36	28	23	28	23				

Comparative yearly lighting energy cost per 1000 lumens – \$3.53 based on 3000 hrs. and \$.08 pwr KWH.

The photometric results were obtained in the Philips Day-Brite laboratory which is NVLAP accredited by the National Institute of Standards and Technology.

# 1TG8 TG8 troffer 1x4

T5, T5HO, T8

## Photometry

### TG8 troffer 1x4 3 Lamp T8

Efficiency – 62.1%

LER – 62

TER – 56

		Candlepower				Light Distribution				Average Luminance			
Catalog No.	1TG8332-01	Angle	End	45	Cross	Degrees	Lumens	% Lamp	% Luminaire	Angle	End	45'	Cross
Test No.	33911	0	2377	2377	2377	0-30	1865	20.1	32.3	45	7030	6656	6010
S/MH	1.2	5	2364	2366	2368	0-40	3028	32.6	52.4	55	5729	5141	4294
Lamp Type	F32T8	15	2287	2299	2294	0-60	4924	52.9	85.3	65	4230	3536	3144
Lumens/Lamp	3100	25	2118	2122	2119	0-90	5778	62.1	100	75	3711	2704	2519
Ballast Factor	.83	35	1844	1835	1788					85	5122	3049	1858
Input Watts	77	45	1468	1390	1255								
		55	970	871	727								
		65	528	441	392								
		75	284	207	193								
		85	132	78	48								

Coefficients of Utilization									
Effective Floor Cavity Reflectance 20 Per (Pfc=0.20)									
pcc	80			70			50		
pw	70	50	30	70	50	30	50	30	
RCR									
0	73	73	73	71	71	71	68	68	
1	68	65	63	66	64	61	60	58	
2	61	57	54	60	56	53	54	51	
3	56	51	46	56	50	46	48	45	
4	53	46	40	51	45	40	44	39	
5	48	40	35	47	40	35	39	34	
6	45	36	32	44	36	32	35	30	
7	41	34	28	40	34	28	33	28	
8	39	30	26	38	30	26	29	26	
9	36	28	23	35	28	23	28	23	
10	34	27	22	34	26	22	26	20	

Comparative yearly lighting energy cost per 1000 lumens – **\$3.87** based on 3000 hrs. and \$.08 pwr KWH.

The photometric results were obtained in the Philips Day-Brite laboratory which is NVLAP accredited by the National Institute of Standards and Technology.



Some luminaires use fluorescent or high intensity discharge (HID) lamps that contain small amounts of mercury. Such lamps are labeled, "Contain Mercury" and/or the symbol "HG". Lamps that contain mercury must be disposed of in accordance with local requirements. Information regarding lamp recycling and disposal can be found at [www.lamprecycle.org](http://www.lamprecycle.org)

© 2015 Koninklijke Philips N.V. All rights reserved.  
 Philips reserves the right to make changes in specifications and/or to discontinue any product at any time without notice or obligation and will not be liable for any consequences resulting from the use of this publication.  
[philips.com/luminaires](http://philips.com/luminaires)



Philips Lighting, North America Corporation  
 200 Franklin Square Drive, Somerset, NJ 08873  
 Tel. 855-486-2216

Philips Lighting Canada Ltd.  
 A division of Philips Electronics Ltd.  
 281 Hillmount Rd, Markham, ON, Canada L6C 2S3  
 Tel. 800-668-9008