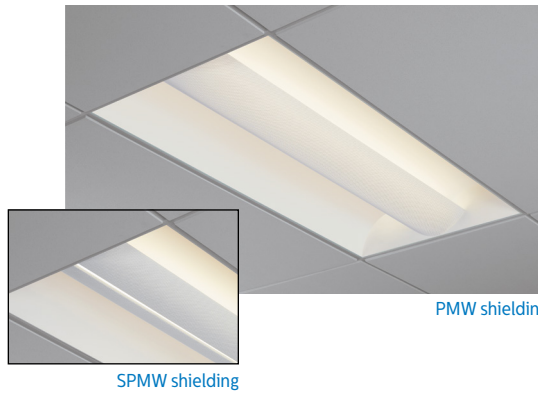


**PHILIPS**  
**Day-Brite**  
**CFI**

Recessed

Arioso perf 2x4

T5, T5HO, or T8



Project: \_\_\_\_\_  
 Location: \_\_\_\_\_  
 Cat.No: \_\_\_\_\_  
 Type: \_\_\_\_\_  
 Lamps: \_\_\_\_\_ Qty: \_\_\_\_\_  
 Notes: \_\_\_\_\_

The Philips Day-Brite / Philips CFI Arioso recessed perf offers simple clean lines in combination with soft natural illumination. With micro-perforated baskets and contoured seamless reflectors, this series focuses on providing smooth comfortable lighting while subtly complementing the space. Flexible enough to integrate with any architectural design, Arioso recessed provides a soft unassuming glow with comfortable illumination to optimize work and recreational activities.

**Ordering guide**

**Example: 2AVG232-PMW-UNV-1/2-EBLHE-LPT835HL**

Width	Family	Ceiling Type	No. of Lamps (not included)	Lamp Type	Shielding	Voltage	Options
2	AV	G					
2 2'	AV Arioso recessed perf	G Grid	2 3	28 28WT5 (46") 32 32WT8 (48") 54HO 54WT5HO (46")	PMW Perforated metal w/ white overlay SPMW 2-piece perforated metal with white overlay	120 277 347 UNV Universal Voltage 120-277V	1/2 One 2-lamp ballast 1/3 One 3-lamp ballast 1/21 2-lamp & 1-lamp ballasts 1/4 One 4-lamp ballast 2/2 Two 2-lamp ballasts EB Electronic ballast, <10% THD, std. ballast factor EB10R T8 electronic ballast, program rapid start, <10% THD EBHE T8 electronic ballast, high efficiency, std. ballast factor EBLHE T8 electronic ballast, high efficiency, low ballast factor EBHHE T8 electronic ballast, high efficiency, high ballast factor EBSD T8 electronic step dimming ballast, .88 ballast factor EBD7 Advance Mark 7 dimming ballast, 0-10V (low voltage) control EBDX Advance Mark 10 dimming ballast, phase control EBD Electronic dimming ballast, customer specified E1 B100 emerg. ballast, T8, 350-450 lumens, 120/277V E1CAN B100-CAN emerg. ballast, Canada market, T8, 350-450 lumens, 120/347V E7 B60 emerg. ballast, T8, 600-700 lumens, 120/277V E5 B50 emerg. ballast, U.S. or Canada market, T8, 1100-1400 lumens, UNV ESCAN B50-CAN emerg. ballast, Canada market, T8, 1100-1400 lumens, 120/347V E5ST B50ST emerg. ballast w/self test, T8, 1100-1400 lumens, UNV E7LP LP550 emerg. ballast T5/T5HO, 430-700 lumens, 120/277V E6LP LP600 emerg. ballast U.S. or Canada market, T5/T5HO, 750-1325 lumens, 120/277V F1 3/8" flex 3 wire, 18 gauge 6' F2 3/8" flex 4 wire, 18 gauge 6' F2/5W 3/8" flex, 5 wire 18 gauge 6' GLR Fusing, fast blow LPT830 Installed T8/T5/T5HO lamps, 80+ CRI, 3000K LPT835 Installed T8/T5/T5HO lamps, 80+ CRI, 3500K LPT841 Installed T8/T5/T5HO lamps, 80+ CRI, 4100K LPT830HL Installed T8/T5 high lumen lamps, 80+ CRI, 3000K LPT835HL Installed T8/T5 high lumen lamps, 80+ CRI, 3500K LPT841HL Installed T8/T5 high lumen lamps, 80+ CRI, 4100K CHIC Chicago plenum rated

**Accessories (order separately)**

- AVHD Hold down clips
- AV-DC4 Debris cover 2'x4'
- AV-GC4 Germ cover 2'x4'
- FMA24 2'x4' "F" mounting frame for NEMA "F" mounting



# 2AVG Arioso recessed perf 2x4

T5, T5HO or T8

## Application

- Architectural recessed direct/indirect lighting for glare free illumination.
- Suitable for grid inverted T (NEMA "G") ceilings. Flange type ceilings (NEMA "F") require independently mounted flange kits (FMA).
- Fully recessed mounting, suitable for row mounting.

## Construction/Finish

- Top reflector and end panels are formed together with no gaps.
- No visible welding, screws, latches, springs, hooks, rivets or plastic supports.
- Soft white baked enamel finish.
- Easy ballast access through lamp compartment.
- Optional hold down clips available (order separately: cat # AVHD).

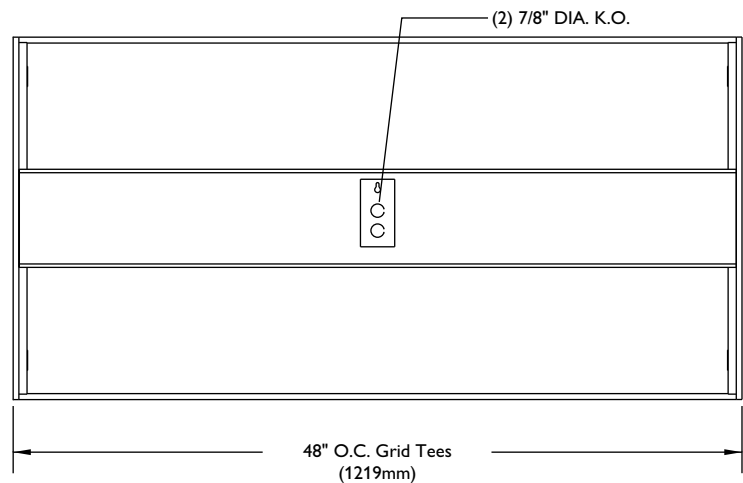
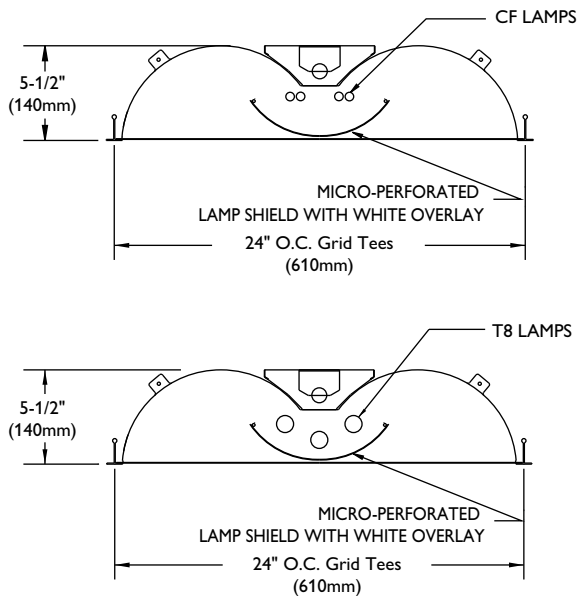
## Electrical

- cULus listed for damp locations.
- Self-contained fluorescent emergency power pack can be incorporated.

## Enclosure

- Choice of one-piece (PMW) or two-piece (SPMW) lamp shield configuration.
- Micro-perforated mesh lamp shield provides soft awareness of light source.
- Soft white overlay on inside of micro-perforated mesh conceals lamp image and balances between reflected and direct light.
- Swing down lamp shield for easy relamping.
- Lamp shield end trim is included with PMW models for field installation if desired (not required).

## Dimensions



Some luminaires use fluorescent or high intensity discharge (HID) lamps that contain small amounts of mercury. Such lamps are labeled, "Contain Mercury" and/or the symbol "HG". Lamps that contain mercury must be disposed of in accordance with local requirements. Information regarding lamp recycling and disposal can be found at [www.lamprecycle.org](http://www.lamprecycle.org)

# 2AVG Arioso recessed perf 2x4

T5, T5HO or T8

## Photometry

### Arioso recessed perf (PMW) 2x4 2 lamp T8

Efficiency – 68.6%

LER – 57

TER – 49

Catalog No.	2AVG232-PMW-1/2-EB	Candlepower				Light Distribution				Average Luminance			
		Angle	End	45	Cross	Degrees	Lumens	% Lamp	% Luminaire	Angle	End	45'	Cross
Test No.	25911	0	1290	1290	1290	0-30	1011	17.7	25.9	45	1617	1811	1956
S/MH	1.3	5	1295	1286	1278	0-40	1671	29.3	42.7	55	1487	1848	2036
Lamp Type	F32T8	10	1277	1270	1266	0-60	3042	53.4	77.8	65	1334	1854	1939
Lumens/Lamp	2850	15	1245	1244	1246	0-90	3912	68.6	100.0	75	1159	1481	1438
Ballast Factor	.88	20	1201	1210	1220					85	908	813	845
Input Watts	60	25	1144	1165	1183	Coefficients of Utilization							
		30	1082	1114	1149	EFFECTIVE FLOOR CAVITY REFLECTANCE 20 PER (pfc=0.20)							
		35	1007	1053	1106	pcc							
		40	918	991	1055	pw							
		45	823	922	996	RCR							
		50	718	846	925	0							
		55	614	763	841	1							
		60	508	671	734	2							
		65	406	564	590	3							
		70	309	438	407	4							
		75	216	276	268	5							
		80	130	140	152	6							
		85	57	51	53	7							
						8							
						9							
						10							

Comparative yearly lighting energy cost per 1000 lumens – \$4.21 based on 3000 hrs. and \$.08 pwr KWH.

The photometric results were obtained in the Philips Day-Brite laboratory which is NVLAP accredited by the National Institute of Standards and Technology.

### Arioso recessed perf (PMW) 2x4 3 lamp T8

Efficiency – 64.9%

LER – 56

TER – 48

Catalog No.	2AVG332-PMW-1/3-EB	Candlepower				Light Distribution				Average Luminance			
		Angle	End	45	Cross	Degrees	Lumens	% Lamp	% Luminaire	Angle	End	45'	Cross
Test No.	25512	0	1836	1836	1836	0-30	1438	16.8	25.9	45	2337	2551	2692
S/MH	1.3	5	1843	1831	1813	0-40	2373	27.8	42.8	55	2157	2566	2794
Lamp Type	F32T8	10	1816	1808	1795	0-60	4297	50.3	77.5	65	1912	2569	2740
Lumens/Lamp	2850	15	1778	1776	1771	0-90	5547	64.9	100.0	75	1642	2178	2167
Ballast Factor	.88	20	1713	1722	1725					85	1275	1434	1466
Input Watts	87	25	1640	1660	1675	Coefficients of Utilization							
		30	1551	1586	1619	EFFECTIVE FLOOR CAVITY REFLECTANCE 20 PER (pfc=0.20)							
		35	1440	1496	1542	pcc							
		40	1321	1400	1462	pw							
		45	1190	1299	1371	RCR							
		50	1044	1182	1272	0							
		55	891	1060	1154	1							
		60	736	927	1012	2							
		65	582	782	834	3							
		70	441	614	599	4							
		75	306	406	404	5							
		80	182	219	246	6							
		85	80	90	92	7							
						8							
						9							
						10							

Comparative yearly lighting energy cost per 1000 lumens – \$4.29 based on 3000 hrs. and \$.08 pwr KWH.

The photometric results were obtained in the Philips Day-Brite laboratory which is NVLAP accredited by the National Institute of Standards and Technology.

# 2AVG Arioso recessed perf 2x4

T5, T5HO or T8

## Arioso recessed perf (SPMW) 2x4 2 lamp T8

Efficiency – 57.9%

LER – 49

TER – 42

		Candlepower				Light Distribution				Average Luminance			
		Angle	End	45	Cross	Degrees	Lumens	% Lamp	% Luminaire	Angle	End	45'	Cross
<b>Catalog No.</b>	2AVG232-SPMW-1/2-EB	0	1030	1030	1030	<b>0-30</b>	819	14.4	24.8	<b>45</b>	1307	1461	1671
<b>Test No.</b>	26732	5	1035	1027	1019	<b>0-40</b>	1362	23.9	41.2	<b>55</b>	1257	1597	1741
<b>S/MH</b>	1.4	10	1022	1019	1016	<b>0-60</b>	2547	44.7	77.1	<b>65</b>	1194	1627	1535
<b>Lamp Type</b>	F32T8	15	998	1002	1003	<b>0-90</b>	3304	58.0	100.0	<b>75</b>	1076	1175	1003
<b>Lumens/Lamp</b>	2850	20	967	979	990					<b>85</b>	865	803	695
<b>Ballast Factor</b>	0.88	25	925	950	975								
<b>Input Watts</b>	59	30	875	913	946								
		35	820	875	910								
		40	759	824	878								
		45	687	768	878								
		50	612	712	823								
		55	536	681	742								
		60	454	611	623								
		65	375	511	482								
		70	290	380	311								
		75	207	226	193								
		80	128	111	111								
		85	56	52	45								
Comparative yearly lighting energy cost per 1000 lumens – <b>\$4.90</b> based on 3000 hrs. and \$.08 pwr KWH.													
The photometric results were obtained in the Philips Day-Brite laboratory which is NVLAP accredited by the National Institute of Standards and Technology.													

## Arioso recessed perf (SPMW) 2x4 3 lamp T8

Efficiency – 52.0%

LER – 45

TER – 39

		Candlepower				Light Distribution				Average Luminance			
		Angle	End	45	Cross	Degrees	Lumens	% Lamp	% Luminaire	Angle	End	45'	Cross
<b>Catalog No.</b>	2AVG332-SPMW-1/3-EB	0	1460	1460	1460	<b>0-30</b>	1151	13.5	25.8	<b>45</b>	1821	2009	2133
<b>Test No.</b>	26748	5	1462	1456	1445	<b>0-40</b>	1904	22.3	42.8	<b>55</b>	1727	2041	2182
<b>S/MH</b>	1.3	10	1441	1439	1433	<b>0-60</b>	3472	40.6	78.0	<b>65</b>	1611	2025	1999
<b>Lamp Type</b>	F32T8	15	1408	1413	1414	<b>0-90</b>	4452	52.1	100.0	<b>75</b>	1456	1508	1310
<b>Lumens/Lamp</b>	2850	20	1361	1375	1386					<b>85</b>	1142	973	880
<b>Ballast Factor</b>	0.88	25	1301	1327	1351								
<b>Input Watts</b>	87	30	1232	1272	1309								
		35	1151	1207	1254								
		40	1058	1136	1188								
		45	957	1056	1121								
		50	851	966	1034								
		55	736	870	930								
		60	623	760	800								
		65	506	636	628								
		70	397	486	402								
		75	280	290	252								
		80	171	144	149								
		85	74	63	57								
Comparative yearly lighting energy cost per 1000 lumens – <b>\$5.33</b> based on 3000 hrs. and \$.08 pwr KWH.													
The photometric results were obtained in the Philips Day-Brite laboratory which is NVLAP accredited by the National Institute of Standards and Technology.													

© 2015 Koninklijke Philips N.V. All rights reserved.  
Philips reserves the right to make changes in specifications and/or to discontinue any product at any time without notice or obligation and will not be liable for any consequences resulting from the use of this publication.  
philips.com/luminaires



Philips Lighting, North America Corporation  
200 Franklin Square Drive, Somerset, NJ 08873  
Tel. 855-486-2216

Philips Lighting Canada Ltd.  
A division of Philips Electronics Ltd.  
281 Hillmount Rd, Markham, ON, Canada L6C 2S3  
Tel. 800-668-9008