

# Technical Information Bulletin

## LED Downlight Accessories



Date: \_\_\_\_\_ Name of distributor: \_\_\_\_\_  
 In hands date of project: \_\_\_\_\_ Client #: \_\_\_\_\_  
 Project name/Number: \_\_\_\_\_ Name of end user: \_\_\_\_\_

### ORDERING INFORMATION

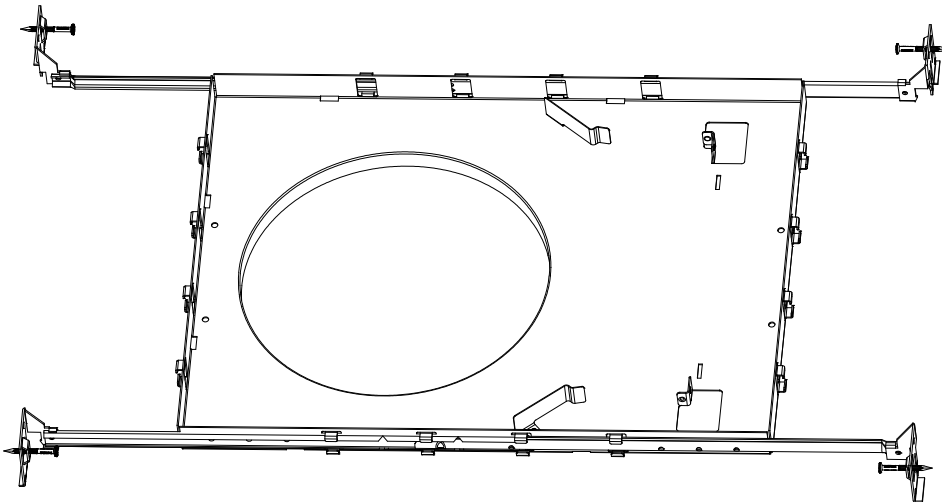
Order code: 66818  
 Description: ACC/MPLATE/VELOCE8/HANG.BARS/STD  
 UPC: 69549668188  
 Case quantity: 8

### SPECIFICATIONS

Type: Mounting Plate with Hanger Bars  
 Material: Galvanized Iron  
 Length: 15 7/8" (403.6 mm)  
 Width: 12 3/16" (310 mm)  
 Height: 9 5/16" (236 mm)  
 Opening diameter: 8" (205 mm)



### TECHNICAL DRAWING



Qty	Description	Price

I accept the specifications of the luminaire configuration mentioned above.

Name: \_\_\_\_\_  
 Company: \_\_\_\_\_  
 Signature: \_\_\_\_\_

Date: \_\_\_\_\_