

Technical Information Bulletin

LED Downlight Accessories



Date: _____ Name of distributor: _____
 In hands date of project: _____ Client #: _____
 Project name/Number: _____ Name of end user: _____

ORDERING INFORMATION

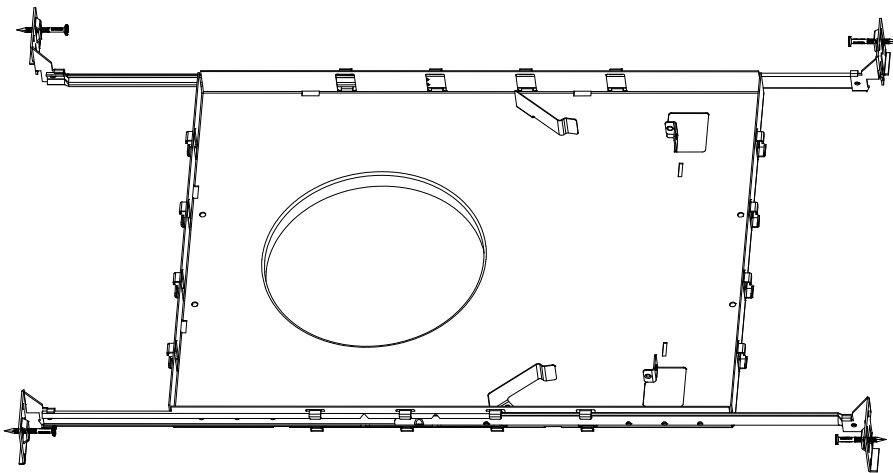
Order code: 66817
Description: ACC/MPLATE/VELOCE6/HANG.BARS/STD
UPC: 69549668171
Case quantity: 8

SPECIFICATIONS

Type: Mounting Plate with Hanger Bars
Material: Galvanized Iron
Length: 15 7/8" (403.6 mm)
Width: 12 3/16" (310 mm)
Height: 9 5/16" (236 mm)
Opening diameter: 6" (153 mm)



TECHNICAL DRAWING



Qty	Description	Price

I accept the specifications of the luminaire configuration mentioned above.

Name: _____
 Company: _____
 Signature: _____

Date: _____