



5" IC NEW CONSTRUCTION HOUSING IC20 LEDT24

COMPATIBLE WITH
5RLD SERIES



Project: _____

Fixture Type: _____

Location: _____

Contact/Phone: _____

PRODUCT DESCRIPTION

IC Air-Loc® New Construction Housing for use with Juno retrofit LED trim modules • Energy efficient, sealed housing • Can be completely covered with insulation • Fully sealed housing stops exfiltration of air, reducing heating and air cooling costs without the use of additional gaskets.

PRODUCT SPECIFICATIONS

Electrical Connections Features non-screw base 120V plug-in connector • Compatible with Juno retrofit LED trim modules

Labels U.L. listed for U.S. and Canada for through-branch wiring and damp locations • Meets high efficacy requirements of California T24

Testing All reports are based on published industry procedures; field performance may differ from laboratory performance.

Specifications subject to change without notice.

INSTALLATION

Real Nail 3 Bar Hangers Telescoping Real Nail® 3 system covered under US Patent D552,969 permits quick placement of housing anywhere within 24" O.C. joists or suspended ceilings • Integral T-bar notch and clip secures housing in suspended ceiling grid – no accessory clips required • 24" expansion stop allows quick placement of fixture in standard grid spacing • Bars scored in two locations for fast, clean breaking, allowing housing installation in tight applications • Bars captive to mounting frame • Edge-mounted for extra strength • Captive bugle-headed ring shank nail for quick one-step installation and easy removal with claw hammer for fixture relocation • Quick-Loc slot (location identified on the mounting frame) and oversized locking set screw lock fixture in position • Bar hanger foot contoured to align to bottom of construction joist • Alternate mounting holes included.

Junction Box Pre-wired junction box provided with (5) ½" and (1) ¾" knockouts, (4) Non-metallic sheathed cable connectors and ground wire, U.L. listed/CSA certified for through-branch wiring, maximum 8 No. 12 AWG 90° C branch circuit conductors (4 in, 4 out) • Junction box provided with removable access plates • Knockouts equipped with pryout slots.

Mounting Frame 22-gauge die-formed galvanized steel mounting frame • Rough-in section (junction box, mounting frame, housing and bar hangers) fully assembled for ease of installation • Sight lines embossed on mounting frame to allow for easy viewing when aligning fixtures.

Housing IC housing, .032" aluminum sealed for Air-Loc Compliance • Housing is vertically adjustable to accommodate up to a 1" ceiling thickness.

PRODUCT CODES

Catalog Number	Input Voltage
IC20 LEDT24	5" Incandescent New Construction IC Housing, 4" Quick Connect Housing 120V

Housing and trim can be ordered together or separate, but will always ship separately.

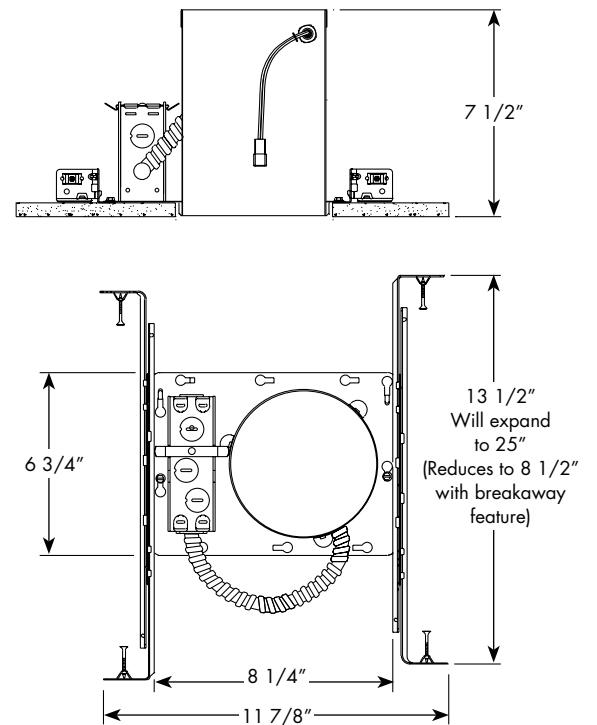
COMPATIBLE LED MODULES

Catalog Number	
5RLD G2 06LM 27K 90CRI 120 FRPC WWH	5" Juno Basics Retrofit Downlight, Generation 2, 600 Nominal Lumens, 2700K, 90+ CRI, 120V, Forward/Reverse Phase Cut, White with White Trim Ring
5RLD G2 06LM 30K 90CRI 120 FRPC WWH	5" Juno Basics Retrofit Downlight, Generation 2, 600 Nominal Lumens, 3000K, 90+ CRI, 120V, Forward/Reverse Phase Cut, White with White Trim Ring

Housing and trim can be ordered together or separate, but will always ship separately.



DIMENSIONS



5 5/8" CEILING CUTOUT