



SUPER SLOPE CEILING TC HOUSING

Project: _____

Fixture Type: _____

Location: _____

Contact/Phone: _____

SUPER SLOPE:

7/12 to 12/12 PITCH (30° to 45°)

INCANDESCENT LAMPS

TC928

PRODUCT DESCRIPTION

Slope ceiling TC Housing designed for use in non-insulated areas
 • If installed where insulation is present, the insulation must be pulled back 3" from all sides of the TC housing.

PRODUCT SPECIFICATIONS

Lamp Lamp ratings based on trim selected – see reverse.

Socket Medium base porcelain with nickel-plated copper screw shell
 • Adjustable to position lamp perpendicular to floor.

Trims Trim selection shown on reverse.

Labels U.L. listed for through-branch wiring, damp locations and IP
 • Product thermally protected against improper use of lamps or insulation
 • Union made • UL Listed/CSA certified • Trim No. 603 is wet location approved for covered ceiling applications.

Testing All reports are based on published industry procedures; field performance may differ from laboratory performance.

Product specifications subject to change without notice.

INSTALLATION

Real Nail 3 Bar Hangers Telescoping, patent-pending Real Nail 3 system permits quick placement of housing anywhere within 24" O.C. joists or suspended ceilings
 • Integral T-bar notch and clip secures housing in suspended ceiling grid – no accessory clips required
 • 24" expansion stop allows quick placement of fixture in standard grid spacing
 • Bars scored in two locations for fast, clean breaking, allowing housing installation in tight applications
 • Bars captive to mounting frame
 • Edge-mounted for extra strength
 • Captive bugle-headed ring shank nail for quick one-step installation and easy removal with claw hammer for fixture relocation
 • Quick-Loc slot and oversized locking set screw lock fixture in position
 • Bar hanger foot contoured to align to bottom of construction joist
 • Alternate mounting holes included.

Junction Box Pre-wired junction box provided with (5) 1/2" and (1) 3/4" knockouts, (4) Non-metallic sheathed cable connectors and ground wire, U.L. listed/CSA certified for through-branch wiring, maximum 8 No. 12 AWG 90° C branch circuit conductors (4 in, 4 out)
 • Junction box provided with removable access plates
 • Knockouts equipped with pryout slots.

Mounting Frame 22-gauge die-formed galvanized steel mounting frame
 • Rough-in section (junction box, mounting frame, housing and bar hangers) fully assembled for ease of installation.

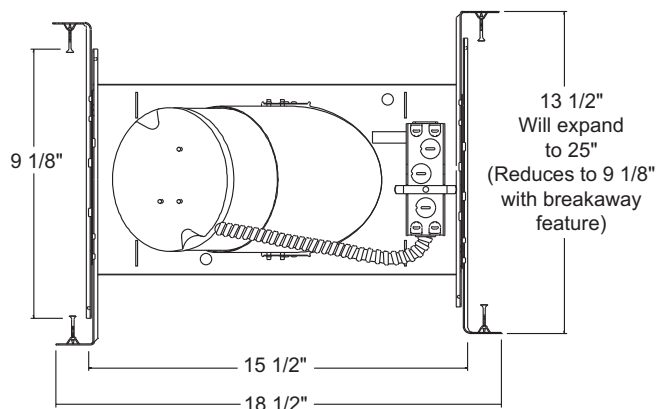
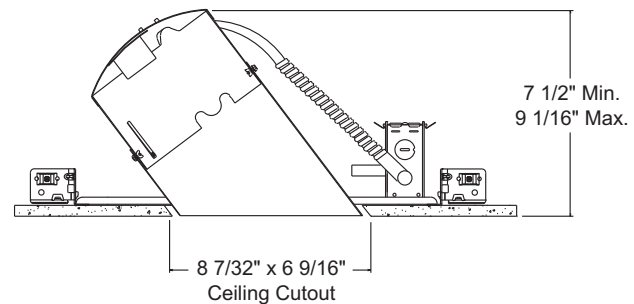
Housing TC housing, 22-gauge white painted steel with aluminum cap
 • Housing is vertically adjustable to accommodate up to a 1" ceiling thickness
 • Designed to fit 2x8 or 2x10 construction.

PRODUCT CODES

Catalog Number	Input Voltage	Lamp Rating (max.)
TC928	120V	PAR16/PAR38

REV-2/09





DIMENSIONS



SUPER SLOPE CEILING TC HOUSING

SUPER SLOPE:
7/12 to 12/12 PITCH (30° to 45°)
INCANDESCENT LAMPS
TC928

TRIMS/LAMPS

	Cat. No.	Description	Lamp Rating
	602C-WH	Multiplier Cone - Clear Alzak®	75W PAR30, 150W PAR38, 85W BR30
	602G-WH	Multiplier Cone - Gold Alzak®	
	602B-WH	Multiplier Cone - Black Alzak®	
	602HZ-WH	Multiplier Cone - Haze	
	602HZ-SC	Multiplier Cone - Haze	
	602W-WH	Multiplier Cone - White	
	602WHZ-WH 602WHZ-ABZ	Multiplier Cone - Wheat Haze Multiplier Cone - Wheat Haze	
	603B-WH ◆	Lensed Shower Trim with Black Baffle	75W A19, 75W PAR30
	603W-WH ◆	Lensed Shower Trim with White Baffle	
	604B-WH	Downlight with Black Baffle	150W PAR38
	604B-SC	Downlight with Black Baffle	
	604B-ABZ	Downlight with Black Baffle	
	604B-BL	Downlight with Black Baffle	
	604W-WH	Downlight with White Baffle	
	606B-WH	Black Cylinder Spotlight with Black Baffle	60W PAR16
	606W-WH	White Cylinder Spotlight with White Baffle	

Trim Size: Cat. No. 604 - 9³/₁₆" x 8³/₁₆" O.D., Cat. No. 606 - 9¹/₈" O.D.
Trim Finish: ABZ - Classic Aged Bronze, BL - Black, GP - Graphite,
PW - Plastic White (Polycarbonate material shower trim), SC - Satin Chrome, SL - Silver, WH - White.

◆ UL Listed for use in wet location.