

## PRODUCT SPECIFICATIONS

### Optics

**Reflector:** Precision reflector with 55° visual cut-off to both lamp and lamp image • Single position optics eliminate possibility of specified lamp being installed in incorrect position • Low iridescent specular or satin Alzak® .050" thick reflector in clear, gold, wheat, pewter or bronze with integral flange of same finish; other finishes available upon request • Painted white flange is optional • V-Flux Miro® specular insert increases efficiency of horizontal CFL models without sacrificing brightness control

**Baffle:** Specular clear Alzak® upper reflector and white or black painted deep multi-groove aluminum baffle insert with integral flange painted white

### Electrical

**Ballast:** Class "P" thermally protected 120V-277V universal voltage high power factor electronic ballast with end of life protection

**Lamp Holder:** 4-pin GX24q UV stabilized thermoplastic socket with non-fatiguing stainless steel lamp retention spring

### Mechanical

**Socket Housing:** Heavy gauge die-formed galvanized steel

**Mounting Frame:** 16-gauge galvanized steel mounting ring with factory installed spring steel friction clips • Accommodates ceilings up to 3/4" thick; ceiling thickness adapter accessory is available for ceilings up to 2" • Common rough-in section accepts open, single wall wash and lensed reflectors

**Mounting Bracket:** Mounting brackets have 3" vertical adjustment and accept proprietary Tru-Lock bar hangers, 1 1/2" C-channel and flat linear bars (ordered as accessories) or 1/2" EMT, 3/4" and 1 1/2" lathing channel (by others) • One-piece Tru-Lock bar hangers have integral T-bar locking screws and alignment notches for locating and locking fixture in the center or 1/4 tile increments

**Junction Box:** Ballast mounted to J-box cover for optimal heat dissipation and serviceability from below the ceiling • Oversized 4"x 6" galvanized steel junction box with (6) 1/2" and (1) 3/4" knockouts facilitate quick wiring • Junction box rated for eight No. 12 AWG 90°C branch circuit conductors (4-in, 4-out)

### Labels and Listings

UL/C-UL listed for feed through and damp locations • I.B.E.W. Union made

Product specifications subject to change without notice.

## ENGINEERING DATA

Voltage	120V-HPF			277V-HPF			347V-HPF Canada		
Lamp Wattage	26W	32W	42W	26W	32W	42W	26W	32W	42W
Total input power	27W	36W	46W	27W	36W	46W	31W	36W	50W
Operating AMPS	0.23	0.31	0.38	0.10	0.13	0.17	0.09	0.11	0.15
Ballast factor	1.00	0.98	0.98	1.00	0.98	0.98	1.02	0.98	1.00

## 6" HORIZONTAL CFL DOWNLIGHT

OPEN APERTURE

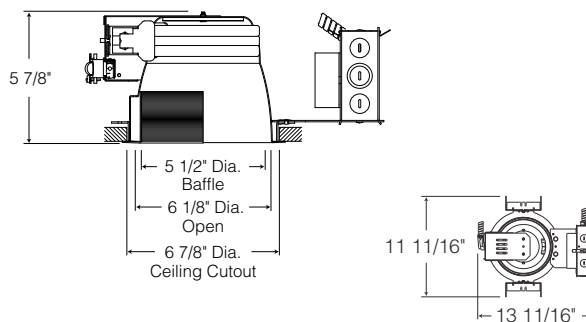
ONE 26, 32 or 42W Triple Tube

**C6H-126/42T**

C650, C650B-T

Type	Cat. No.
_____	_____
_____	_____
Project: _____	
Notes: _____	

## DIMENSIONS



## ORDERING INFORMATION: Rough-in, reflector and accessories each ordered separately.

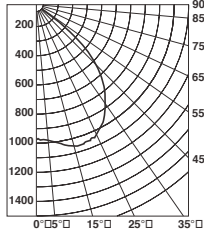
Example: C6H-126/42T-BR			Example: C650-CL				Example: HB-TL
Rough-In	Wattage/Lamp	Options	Reflector	Color Options	Finish	Options	Accessories
C6H-	126/42T-						
C6H	126/42T 1x26W, 32W or 42W Triple, 4-Pin	<b>347</b> 347 Volt <b>BR</b> Emergency Battery Back-up w/Remote Switch <b>BN</b> Emergency Battery Back-up w/Integral Test Switch <b>HR</b> High-Lumen Emergency Battery Back-up with Remote Switch <b>HN</b> High-Lumen Emergency Battery Back-up with Integral Test Switch <b>D10</b> <sup>1</sup> Dimming Ballast Advance Mark 10™ <b>D7</b> Dimming Ballast Advance Mark 7™ <b>DL</b> <sup>1,2</sup> Dimming Ballast Lutron Compact SE ***F Fuse and Fuse Holder (Where *** = voltage) <b>CP</b> Chicago Plenum	<b>C650</b> Open Reflector <b>C650B-T</b> Baffle	<b>C</b> Clear <b>G</b> Gold <b>WT</b> Wheat <b>PT</b> Pewter <b>BZ</b> Bronze <b>B</b> Black <b>W</b> White	<b>Low Iridescent Alzak® Finishes:</b> <b>L</b> Specular <b>S</b> Satin Blank for baffle & white	<b>WH</b> White Flange <b>MAX##</b> Label for maximum wattage (where ## = wattage) <b>BN</b> Hole for emergency test switch	<b>HB-TL</b> 25" Tru-Lock grid ceiling bar hangers, Pair <b>HB-52</b> 52" C-Channel Bar Hangers, Pair <b>HB-28</b> 28" C-Channel Bar Hangers, Pair <b>LB-27</b> 27" Linear Bar Hangers, Pair <b>HB-4</b> Bar Hanger conversion kit for wooden joists <b>SCA6-</b> * Sloped Ceiling Adapter *Angle must be specified when ordering; Available in 5°, 10°, 15°, 20°, 25°, 30° Example: SCA6-20

<sup>1</sup> Add a -1 for 120V, a -2 for 277V  
<sup>2</sup> Lutron Dimming Ballast is wattage specific.  
 26W/120V = C6H-126T-DL-1



**OPEN REFLECTOR  
(42W TRIPLE TUBE)**

**Catalog Number:** C6H-126/42T (C650-CL)  
**PHOTOMETRIC REPORT**  
**Test Number:** PR03062199  
**Total Luminaire Efficiency:** 64.9%  
**Luminaire Spacing Criteria:** 1.35  
**Luminaire:** Clear specular Alzak® reflector. Open bottom.  
**Lamps:** One OSI CF42DT/E/IN/840, rated at 3200 lumens.  
**CIE-Type:** Direct



**Candlepower Distribution (Candelas)**

Angle	Candela	Lumens
0°	975	
5°	992	95
15°	1054	299
25°	1017	471
35°	847	532
45°	601	466
55°	222	199
65°	11	11
75°	4	4
85°	2	2

**Initial Footcandles**

Distance to Illuminated Plane (Feet)	Footcandles Beam Center	Footcandles Beam Edge	Beam Diameter
6'	27.1	4.5	13.1'
7'	19.9	3.3	15.3'
8'	15.2	2.6	17.5'
9'	12.0	2.0	19.7'
10'	9.7	1.6	21.9'
11'	8.1	1.4	24.1'
12'	6.8	1.1	26.3'
13'	5.8	1.0	28.4'
14'	5.0	0.8	30.6'
15'	4.3	0.7	32.8'

**Luminaire Data**

Ang in Deg	Footlamberts	Candela/M <sup>2</sup>
45	13605	46615
55	6179	21172
65	410	1404
75	235	806
85	379	1297

**Zonal Lumen Summary**

Zone	Lumens	%Lamp	%Fixture
0-30°	864	27.0	41.6
0-40°	1396	43.6	67.2
0-60°	2060	64.4	99.2
0-90°	2078	64.9	100.0
90-180°	0	0.0	0.0
0-180°	2078	64.9	100.0

**AVERAGE INITIAL FOOTCANDLES**

Reflectances: 80% Ceiling, 50% Walls, 30% Floors

Luminaire Spacing	Room Cavity Ratio		
	RCR1	RCR4	RCR8
5' x 5'	91	68	47
6' x 6'	63	47	33
7' x 7'	46	35	24
8' x 8'	36	27	19
9' x 9'	28	21	15
10' x 10'	23	17	12
11' x 11'	19	14	10
12' x 12'	16	12	8

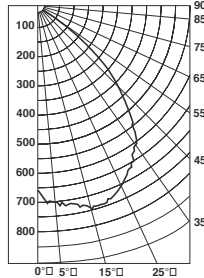
**COEFFICIENTS OF UTILIZATION - % (Zonal Cavity Method)**

Effective Floor Reflectance 20%

PCC	80					70					50					30					10					0
	PW	70	50	30	10	70	50	30	10	50	30	10	50	30	10	50	30	10	50	30	10	0				
0	77	77	77	77	75	75	75	75	72	72	72	69	69	69	66	66	66	66	66	66	65					
1	73	71	69	67	71	69	67	66	67	65	64	64	63	62	62	61	60	59	59	59	59					
2	68	64	61	58	66	63	60	57	61	58	56	59	57	55	57	55	54	53	53	53	53					
3	63	58	54	51	62	57	53	50	55	52	50	54	51	49	52	50	48	47	47	47	47					
4	59	53	48	45	58	52	48	45	51	47	44	49	46	43	48	45	43	42	42	42	42					
5	55	48	43	40	54	47	43	40	46	42	39	45	42	39	44	41	38	37	37	37	37					
6	51	44	39	36	50	43	39	35	42	38	35	41	38	35	40	37	35	33	33	33	33					
7	48	40	35	32	47	40	35	32	39	35	32	38	34	31	37	34	31	30	30	30	30					
8	45	37	32	29	44	37	32	29	36	32	29	35	31	29	34	31	28	27	27	27	27					
9	42	34	29	26	41	34	29	26	33	29	26	32	29	26	32	28	26	25	25	25	25					
10	39	32	27	24	39	31	27	24	31	27	24	30	26	24	30	26	24	23	23	23	23					

**OPEN REFLECTOR  
(32W TRIPLE TUBE)**

**Catalog Number:** C6H-126/42T (C650-CL)  
**PHOTOMETRIC REPORT**  
**Test Number:** PR03062299  
**Total Luminaire Efficiency:** 59.6%  
**Luminaire Spacing Criteria:** 1.37  
**Luminaire:** Clear specular Alzak® reflector. Open bottom.  
**Lamps:** One OSI CF32DT/E/835, rated at 2400 lumens.  
**CIE-Type:** Direct



**Candlepower Distribution (Candelas)**

Angle	Candela	Lumens
0°	651	
5°	692	66
15°	734	208
25°	696	322
35°	599	376
45°	414	321
55°	136	122
65°	11	11
75°	3	3
85°	2	2

**Initial Footcandles**

Distance to Illuminated Plane (Feet)	Footcandles Beam Center	Footcandles Beam Edge	Beam Diameter
6'	18.1	3.3	12.8'
7'	13.3	2.4	15.0'
8'	10.2	1.8	17.1'
9'	8.0	1.5	19.2'
10'	6.5	1.2	21.4'
11'	5.4	1.0	23.5'
12'	4.5	0.8	25.7'
13'	3.9	0.7	27.8'
14'	3.3	0.6	29.9'
15'	2.9	0.5	32.1'

**Luminaire Data**

Ang in Deg	Footlamberts	Candela/M <sup>2</sup>
45	9367	32093
55	3794	12998
65	402	1378
75	182	623
85	368	1260

**Zonal Lumen Summary**

Zone	Lumens	%Lamp	%Fixture
0-30°	596	24.8	41.7
0-40°	972	40.5	68.0
0-60°	1415	59.0	98.9
0-90°	1431	59.6	100.0
90-180°	0	0.0	0.0
0-180°	1431	59.6	100.0

**AVERAGE INITIAL FOOTCANDLES**

Reflectances: 80% Ceiling, 50% Walls, 30% Floors

Luminaire Spacing	Room Cavity Ratio		
	RCR1	RCR4	RCR8
5' x 5'	62	47	33
6' x 6'	43	33	23
7' x 7'	32	24	17
8' x 8'	24	18	13
9' x 9'	19	15	10
10' x 10'	16	12	8
11' x 11'	13	10	7
12' x 12'	11	8	6

**COEFFICIENTS OF UTILIZATION - % (Zonal Cavity Method)**

Effective Floor Reflectance 20%

PCC	80					70					50					30					10					0
	PW	70	50	30	10	70	50	30	10	50	30	10	50	30	10	50	30	10	50	30	10	0				
0	71	71	71	71	69	69	69	69	66	66	66	63	63	63	61	61	61	60	60	60	60					
1	67	65	63	61	65	64	62	60	61	60	59	59	58	57	57	56	55	54	54	54	54					
2	62	59	56	53	61	58	55	53	56	54	52	54	52	50	52	51	49	48	48	48	48					
3	58	53	50	47	57	53	49	46	51	48	46	49	47	45	48	46	44	43	43	43	43					
4	54	49	44	41	53	48	44	41	46	43	41	45	42	40	44	42	40	38	38	38	38					
5	50	44	40	37	49	44	40	37	42	39	36	41	38	36	40	38	35	34	34	34	34					
6	47	40	36	33	46	40	36	33	39	35	32	38	35	32	37	34	32	31	31	31	31					
7	44	37	33	30	43	37	32	29	36	32	29	35	32	29	34	31	29	28	28	28	28					
8	41	34	30	27	40	34	30	27	33	29	26	32	29	26	32	29	26	25	25	25	25					
9	39	32	27	24	38	31	27	24	31	27	24	30	26	24	29	26	24	23	23	23	23					
10	36	29	25	22	36	29	25	22	28	25	22	28	24	22	27	24	22	21	21	21	21					



**indy**

1300 S. Wolf Road • Des Plaines, IL 60018 • Phone (800) 367-5866 • Fax (888) 708-6578  
 Visit us at [www.junolightinggroup.com](http://www.junolightinggroup.com)

Printed in U.S.A. ©2010 Juno Lighting, LLC.