

PRODUCT SPECIFICATIONS

Optics

Reflector: Precision reflector with 55° visual cut-off to both lamp and lamp image • Single position optics eliminate possibility of specified lamp being installed in incorrect position • Low iridescent specular or satin Alzak® .050" thick reflector in clear, gold, wheat, pewter or bronze with integral flange of same finish; other finishes available upon request • Painted white flange is optional • V-Flux Miro® specular insert increases efficiency of horizontal CFL models without sacrificing brightness control

Baffle: Specular clear Alzak® upper reflector and white or black painted deep multi-groove aluminum baffle insert with integral flange painted white

Electrical

Ballast: Class "P" thermally protected 120V-277V universal voltage high power factor electronic ballast with end of life protection

Lamp Holder: 4-pin G24q UV stabilized thermoplastic socket with non-fatiguing stainless steel lamp retention spring

Mechanical

Socket Housing: Heavy gauge die-formed galvanized steel

Mounting Frame: 16-gauge galvanized steel mounting ring with factory installed spring steel friction clips • Accommodates ceilings up to 3/4" thick; ceiling thickness adapter accessory is available for ceilings up to 2" • Common rough-in section accepts open, single wall wash and lensed reflectors

Mounting Bracket: Mounting brackets have 3" vertical adjustment and accept proprietary Tru-Lock bar hangers, 1 1/2" C-channel and flat linear bars (ordered as accessories) or 1/2" EMT, 3/4" and 1 1/2" lathing channel (by others) • One-piece Tru-Lock bar hangers have integral T-bar locking screws and alignment notches for locating and locking fixture in the center or 1/4 tile increments

Junction Box: Ballast mounted to J-box cover for optimal heat dissipation and serviceability from below the ceiling • Oversized 4" x 6" galvanized steel junction box with (6) 1/2" and (1) 3/4" knockouts facilitate quick wiring • Junction box rated for eight No. 12 AWG 90°C branch circuit conductors (4-in, 4-out)

Labels and Listings

UL/C-UL listed for feed through and damp locations • I.B.E.W. Union made

Product specifications subject to change without notice.

ENGINEERING DATA

Voltage	120V-HPF	277V-HPF	347V-HPF Canada
Lamp Wattage	1x132x131x182x181x26x26	1x132x131x182x181x262x26	1x132x131x182x181x26x26
Total input power	16W 29W 19W 35W 27W 51W	16W 29W 19W 35W 27W 51W	18W 33W 21W 38W 31W 57W
Operating AMPS	0.13 0.25 0.16 0.30 0.23 0.43	0.06 0.11 0.07 0.13 0.10 0.19	0.06 0.10 0.11 0.06 0.09 0.17
Ballast factor	1.00 1.00 1.00 0.95 1.00 1.00	1.00 1.00 1.00 0.95 1.00 1.00	1.00 0.98 1.00 0.98 1.02 0.98

6" HORIZONTAL CFL DOWNLIGHT

OPEN APERTURE

TWO 13, 18 or 26W Quad Tube

C6H-213Q, C6H-218Q, C6H-226Q

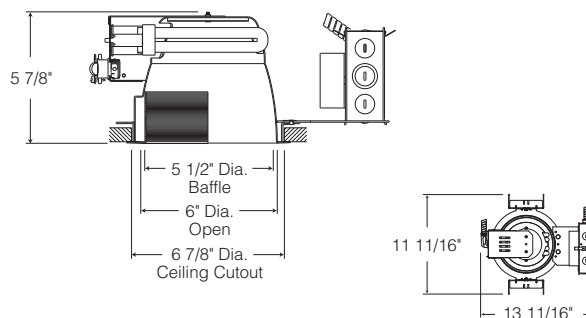
ONE 13, 18 or 26W Quad Tube

C6H-113Q, C6H-118Q, C6H-126Q

C650, C652, C650B-Q, C652B-Q

Type	Cat. No.
_____	_____
_____	_____
Project: _____	
Notes: _____	

DIMENSIONS



ORDERING INFORMATION: Rough-in, reflector and accessories each ordered separately.

Example: C6H-226Q-BR			Example: C652B-Q-B				Example: HB-TL
Rough-In	Wattage/Lamp	Options	Reflector	Color Options	Finish	Options	Accessories
C6H-	-	-					
C6H	113Q 1x13W Quad, 4-Pin 213Q 2x13W Quad, 4-Pin 118Q 1x18W Quad, 4-Pin 218Q 2x18W Quad, 4-Pin 126Q 1x26W Quad, 4-Pin 226Q 2x26W Quad, 4-Pin	347 347 Volt BR Emergency Battery Back-up w/Remote Switch BN Emergency Battery Back-up w/Integral Test Switch HR High-Lumen Emergency Battery Back-up with Remote Switch HN High-Lumen Emergency Battery Back-up with Integral Test Switch D10 Dimming Ballast Advance Mark 10™ (not available for 13W) D7 Dimming Ballast Advance Mark 7™ DL Dimming Ballast Lutron Compact SE (not available for 13W) ***F Fuse and Fuse Holder (Where *** = voltage) 2S Dual Level Switching CP Chicago Plenum	C650 Open Reflector, 1-Lamp C652 Open Reflector, 2-Lamp C650B-Q Baffle, 1-Lamp C652B-Q Baffle, 2-Lamp	C Clear G Gold WT Wheat PT Pewter BZ Bronze B Black W White	Low Iridescent Alzak® Finishes: L Specular S Satin Blank for baffle & white	WH White Flange MAX## Label for maximum wattage (where ## = wattage) BN Hole for emergency test switch	HB-TL 25" Tru-Lock grid ceiling bar hangers, Pair HB-52 52" C-Channel Bar Hangers, Pair HB-28 28" C-Channel Bar Hangers, Pair LB-27 27" Linear Bar Hangers, Pair HB-4 Bar Hanger conversion kit for wooden joists SCA6- *Sloped Ceiling Adapter *Angle must be specified when ordering; Available in 5°, 10°, 15°, 20°, 25°, 30° Example: SCA6-20
1 Add a -1 for 120V, a -2 for 277V Example: C6H-118Q-D10-1							

